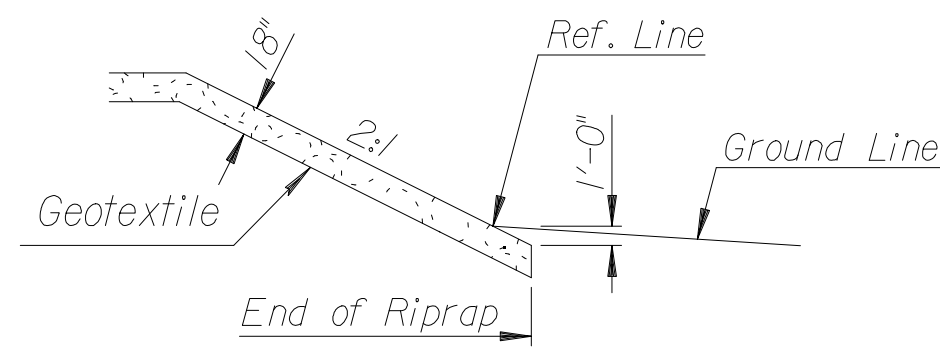
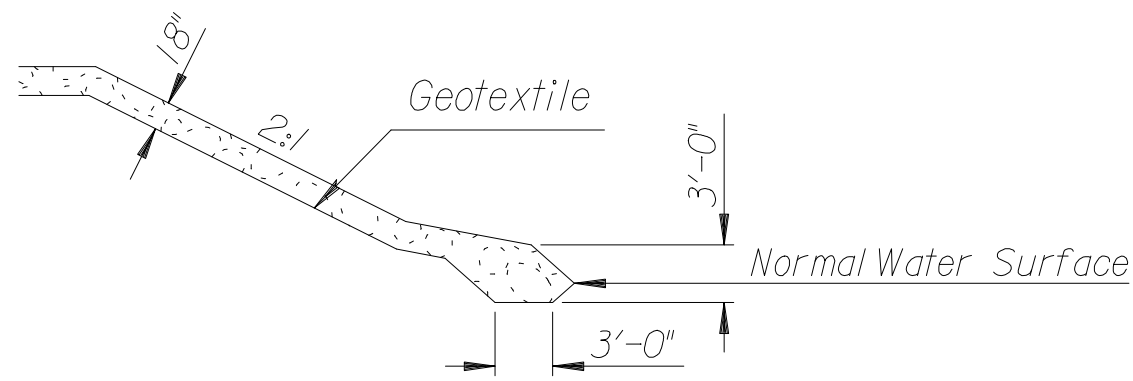


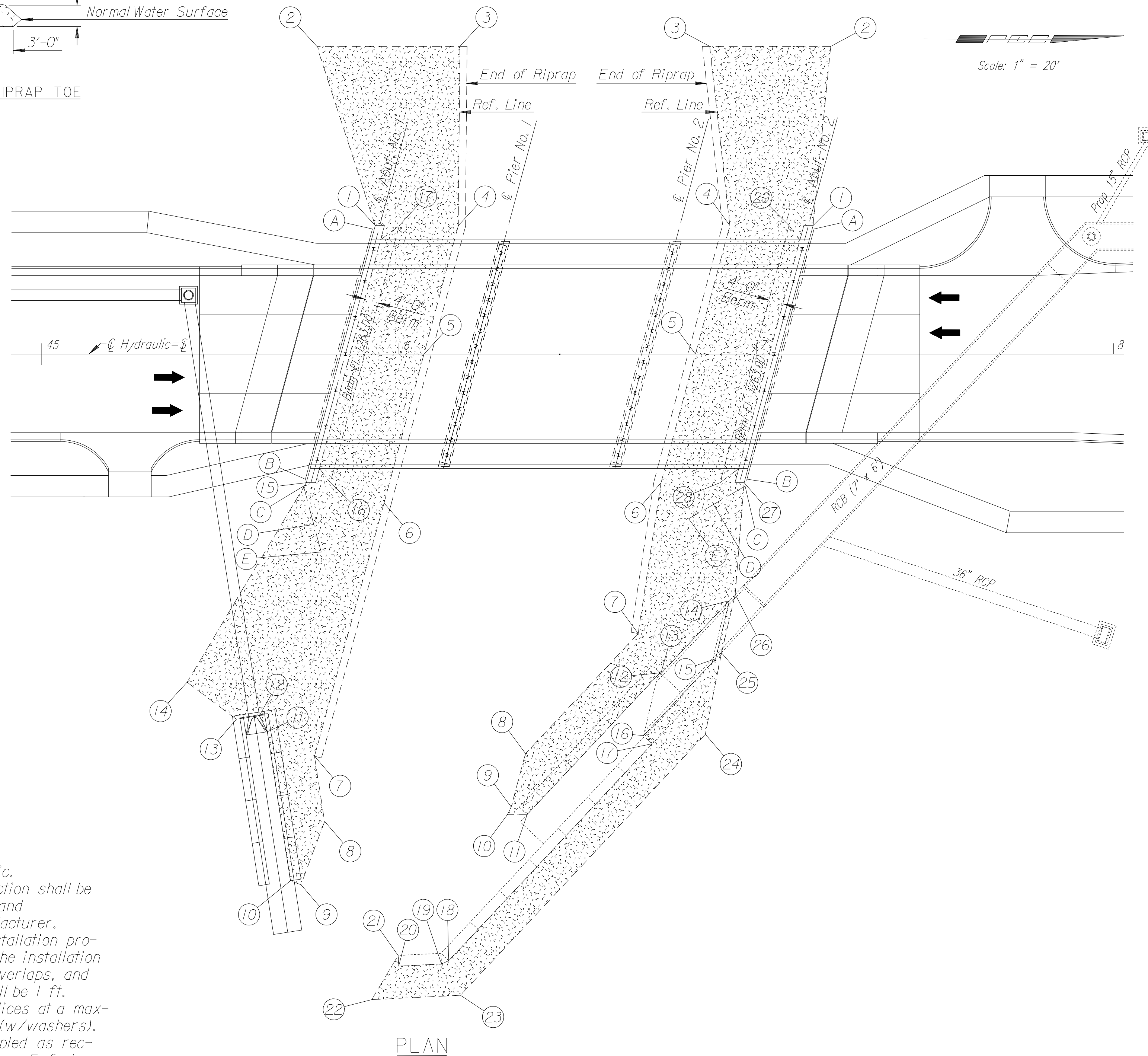
PROJECT NO.	YEAR	SHEET NO.	TOTAL SHEETS
472-84118	2005	46	79



TYPICAL RIPRAP TOE
(Points 3 thru 7)



WATERS EDGE RIPRAP TOE



RIPRAP INFORMATION STR. NO. 5304008700LBS05							
ABUTMENT #1				ABUTMENT #2			
POINT	STATION	OFFSET	ELEVATION	POINT	STATION	OFFSET	ELEVATION
1	45+93.35	36.00' Lt.	1265.94	1	47+15.94	36.00' Lt.	1265.73
2	45+77.02	86.13' Lt.	1263.85	2	47+20.89	86.13' Lt.	1265.25
3	46+17.05	86.13' Lt.	1255.00	3	46+87.00	86.13' Lt.	1255.00
4	46+16.65	36.00' Rt.	1255.00	4	46+92.65	36.00' Rt.	1255.00
5	46+07.00	0.00' Rt.	1255.00	5	46+83.00	0.00' Rt.	1255.00
6	45+95.83	41.68' Rt.	1255.00	6	46+73.35	36.00' Rt.	1255.00
7	45+76.36	112.52' Rt.	1255.00	7	46+66.98	78.17' Rt.	1255.00
8	45+79.20	130.80' Rt.	1252.00	8	46+35.42	111.80' Rt.	1252.00
9	45+72.55	148.49' Rt.	1252.00	9	46+31.42	126.73' Rt.	1252.00
10	45+69.64	147.40' Rt.	1254.40	10	46+30.39	128.84' Rt.	1252.00
11	45+63.15	105.69' Rt.	1256.40	11	46+35.89	128.84' Rt.	1253.00
12	45+60.93	101.19' Rt.	1257.00	12	46+73.07	89.22' Rt.	1253.75
13	45+54.49	102.19' Rt.	1257.00	13	46+73.32	89.45' Rt.	1253.75
14	45+40.70	91.82' Rt.	1263.00	14	46+92.48	69.03' Rt.	1259.00
15	45+74.06	36.00' Rt.	1265.82	15	46+88.68	85.26' Rt.	1259.00
16	45+80.79	36.00' Rt.	1263.00	16	46+68.49	106.77' Rt.	1253.00
17	46+00.08	36.00' Lt.	1263.00	17	46+70.92	109.05' Rt.	1253.00
18				18	46+13.94	169.75' Rt.	1252.50
19				19	46+11.90	170.70' Rt.	1252.50
20				20	45+99.92	171.29' Rt.	1252.30
21				21	45+99.77	168.29' Rt.	1252.30
22				22	45+92.40	180.67' Rt.	1252.00
23				23	46+17.19	179.45' Rt.	1253.50
24				24	46+85.76	106.39' Rt.	1260.00
25				25	46+90.32	83.62' Rt.	1260.00
26				26	46+94.15	67.25' Rt.	1260.00
27				27	46+96.65	36.00' Rt.	1265.88
28				28	46+89.92	36.00' Rt.	1263.00
29				29	47+09.21	36.00' Lt.	1263.00

BILL OF MATERIALS FOR ABUTMENT STRIP DRAIN			
ITEM	STR. NO. 5304008700LBS05	UNIT	
	ABUT. #1	ABUT. #2	
Bridge Backwall Prot. Sys.	37	37	S.Y.
Strip Drain	30	30	S.Y.
* 4" Dia. Perforated Pipe	72.5	72.5	ft.
* 4" Dia. Non-Perforated Pipe	13.1	12.3	ft.
* 6" Dia. C.M.P.	8	8	ft.
Guide Post	0	0	ea.

* Subsidiary to "Abutment Strip Drain"

STATIONS & OFFSETS ARE FROM @ HYDRAULIC AVE.

ABUTMENT DRAIN INFORMATION				
STR. NO. 5304008700LBS05				
REFERENCE	POINT	STATION	OFFSET	ELEVATION
ABUTMENT #1	A	45+92.58	35.03' Lt.	1262.61
	B	45+73.80	35.03' Rt.	1261.88
	C	45+73.28	36.97' Rt.	1261.86
	D	45+76.15	47.67' Rt.	1259.50
	E	45+78.22	55.40' Rt.	1259.00
ABUTMENT #2	A	47+16.20	35.03' Lt.	1262.53
	B	46+97.42	35.03' Rt.	1261.80
	C	46+96.91	36.97' Rt.	1261.78
	D	46+88.02	42.09' Rt.	1259.50
	E	46+81.10	46.09' Rt.	1259.00

Riprap shall be underlain with geotextile fabric. Fabric damaged or displaced during construction shall be replaced at no cost. Fabric shall be installed and secured as recommended by the fabric manufacturer. One (1) copy of the fabric manufacturer's installation procedure shall be submitted to the Engineer. The installation procedure shall show details of the splices, overlaps, and pin layout. Minimum overlap of geotextile shall be 1 ft. Fabric shall be anchored along edges and splices at a maximum of 3 foot centers with staples or pins (w/washers). Interior area of fabric shall be pinned or stapled as recommended by the manufacturer but not more than 5 foot centers. Pins or staples shall be a minimum of 12 inches in length. Geotextile fabric shall meet the requirements of KDOT Specifications. Geotextile fabric shall be subsidiary to the bid item "Riprap(Light Stone)".

LEGEND

Riprap (Light Stone)

Drawn by: drp
Plotted by: ras 9-9-2005
Drawing Name: I:\999\99764\officecheck\99764_C-Riprap(EIP)(18).dgn

No.	Revisions	By	Date
CITY OF WICHITA			
STRUCTURE NO. 5304008700LBS05		STA. 46+45.00	
55TH AND HYDRAULIC AVE. RIPRAP LAYOUT			
PROJECT NO. 472-84118		SEDGWICK COUNTY	
Professional Engineering Consultants, P.A.			
303 S. TOPEKA • WICHITA, KANSAS 67202 316-262-2991 • FAX 316-262-3003			
Designed by	MSN	Checked by	RAS
Drawn by	DRP	Date	July 2005
		Job No.	99764