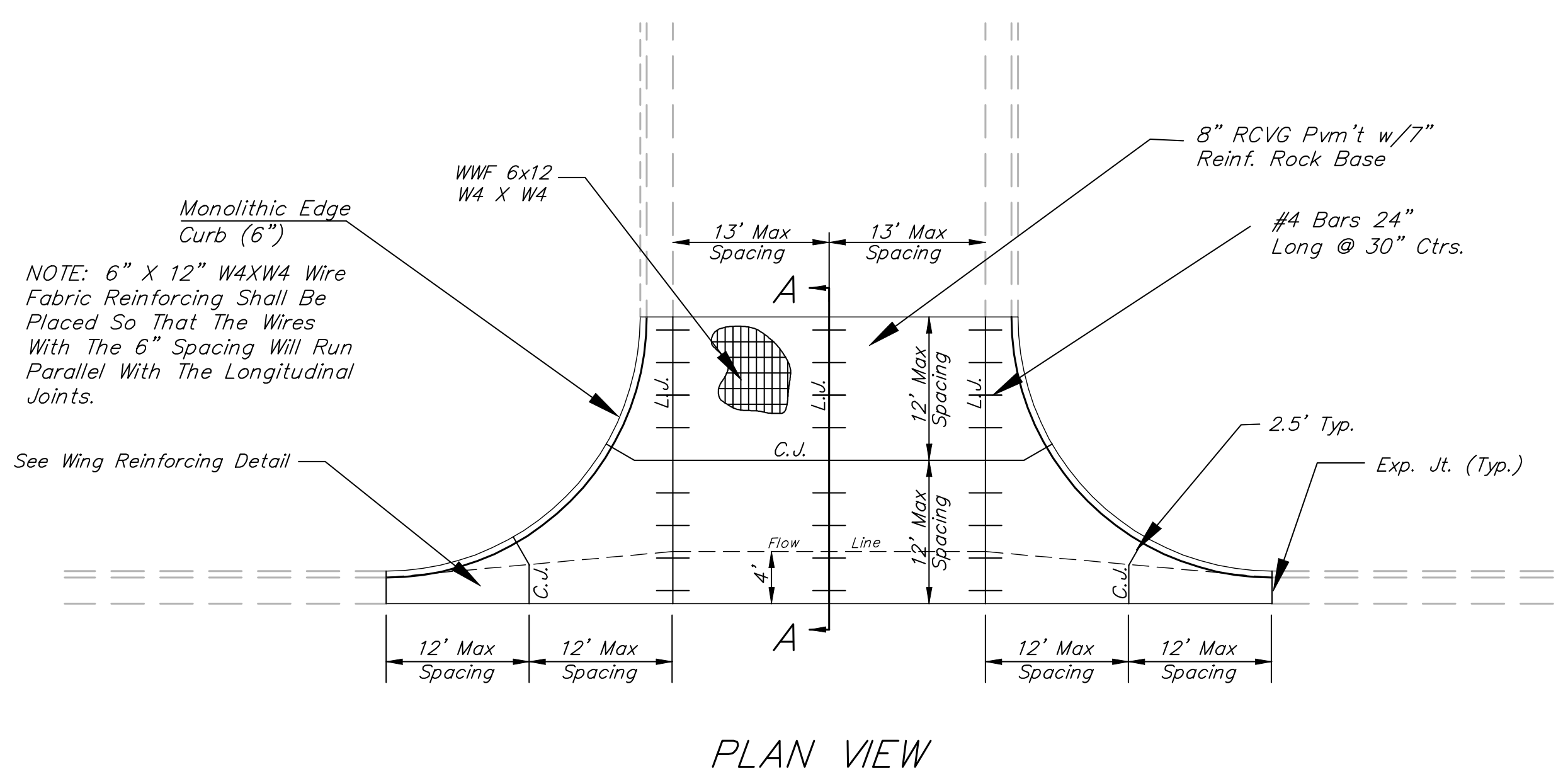
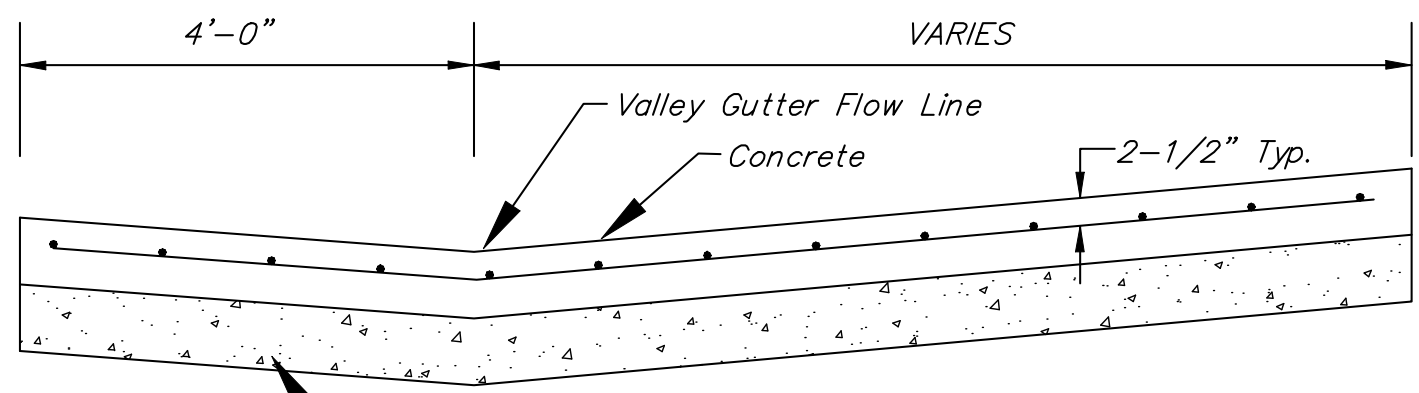


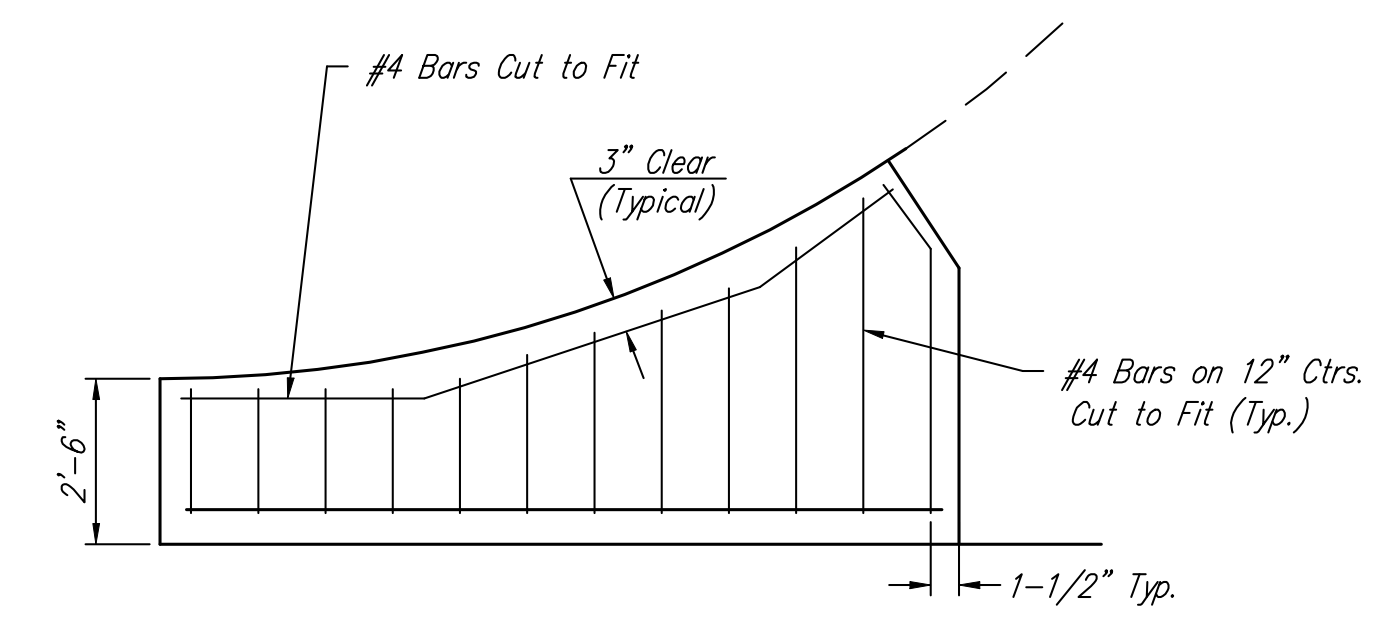
CONTRACTION JOINT DETAIL (C.J.)



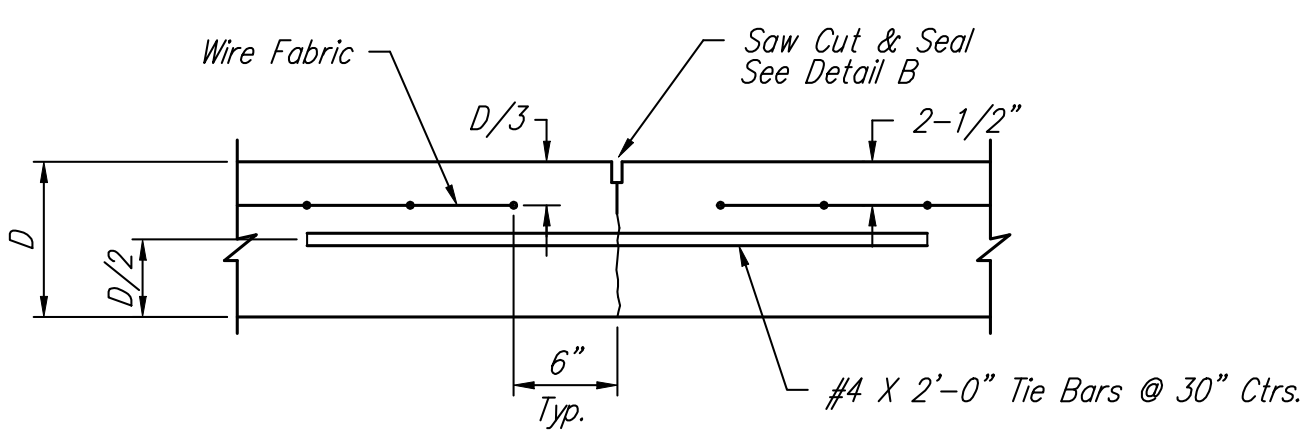
PLAN VIEW



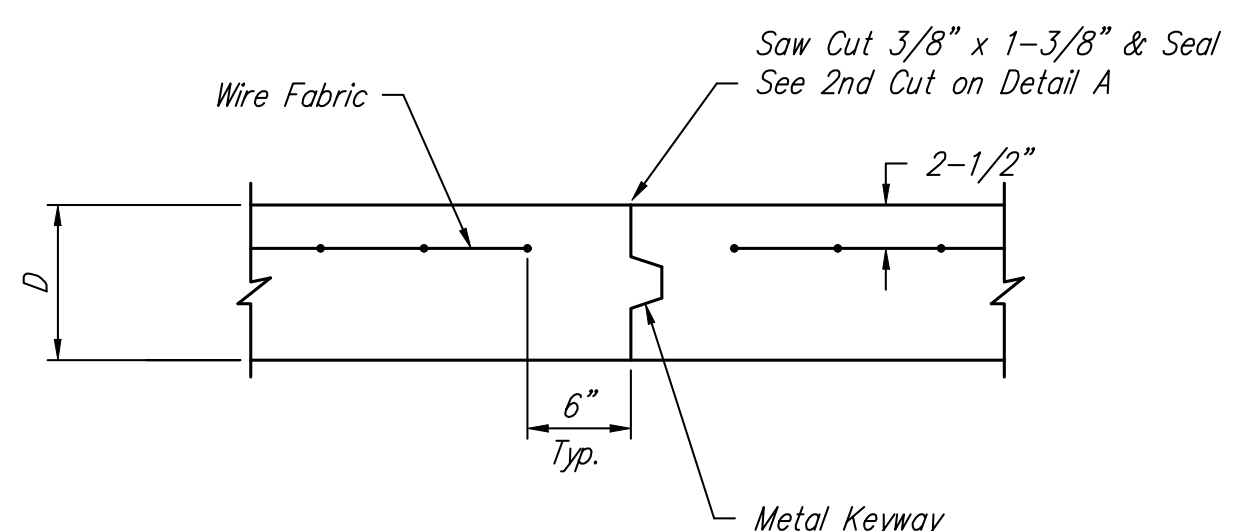
SECTION A-A
REINFORCED VALLEY GUTTER DETAIL



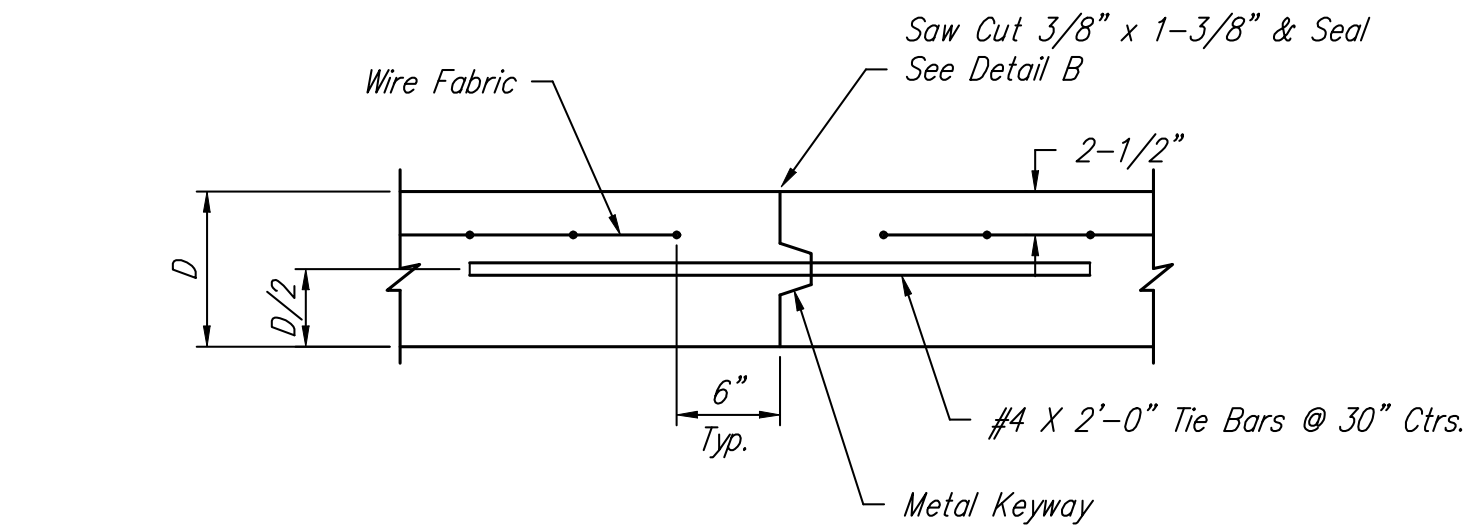
WING REINFORCING DETAIL



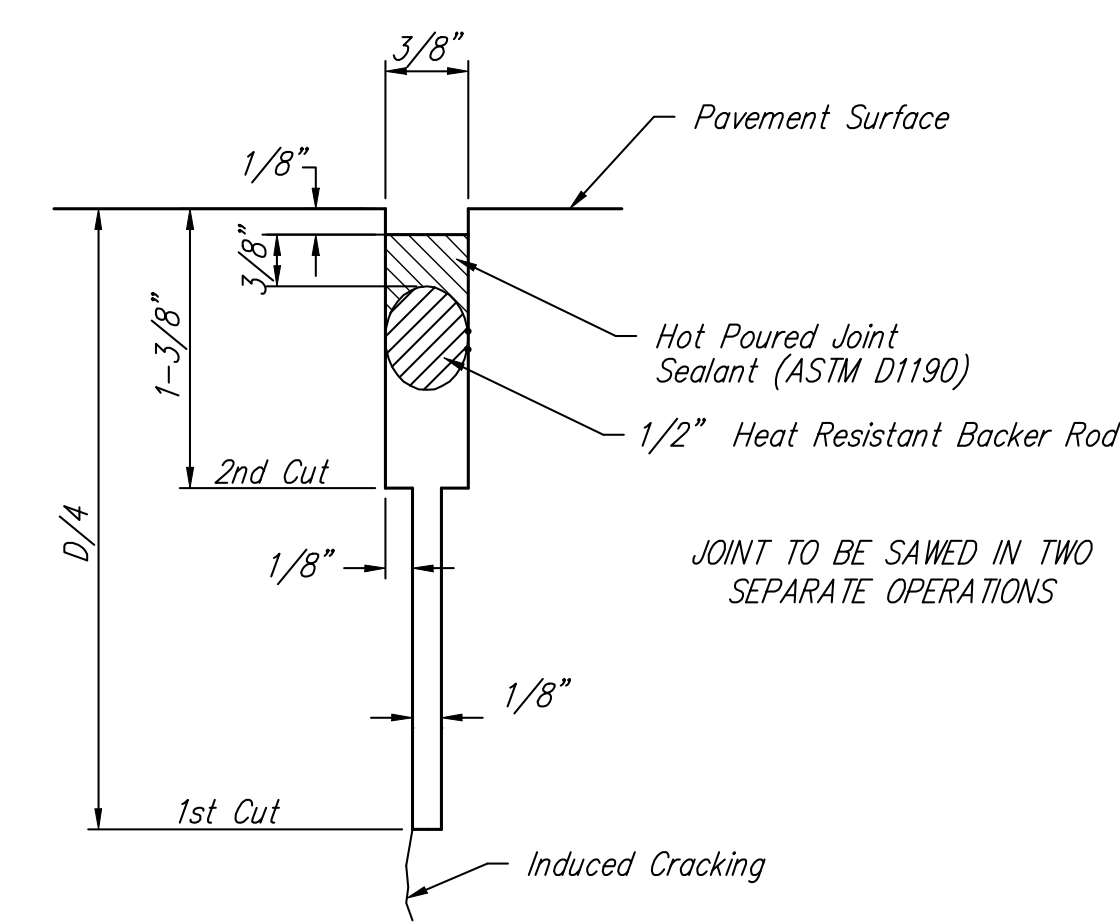
LONGITUDINAL JOINT DETAIL (L.J.)



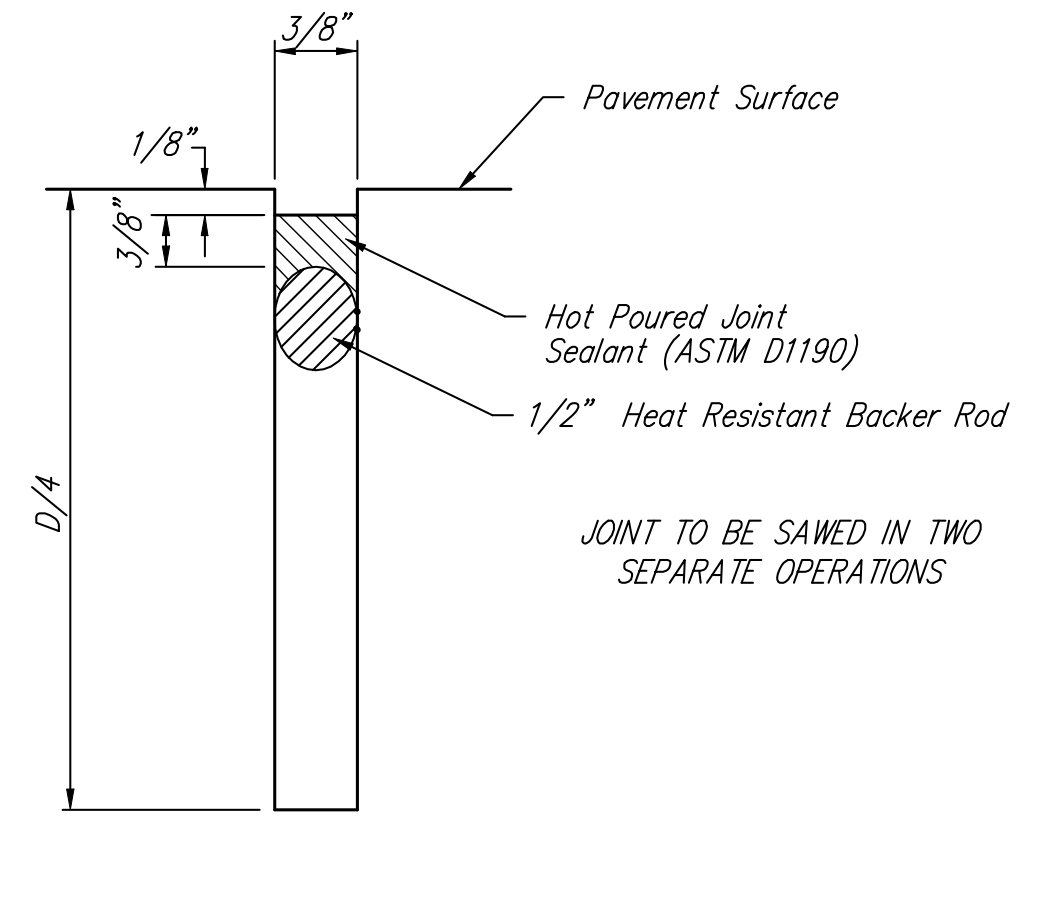
OPTIONAL CONTRACTION JOINT
(CONSTRUCTION JOINT)



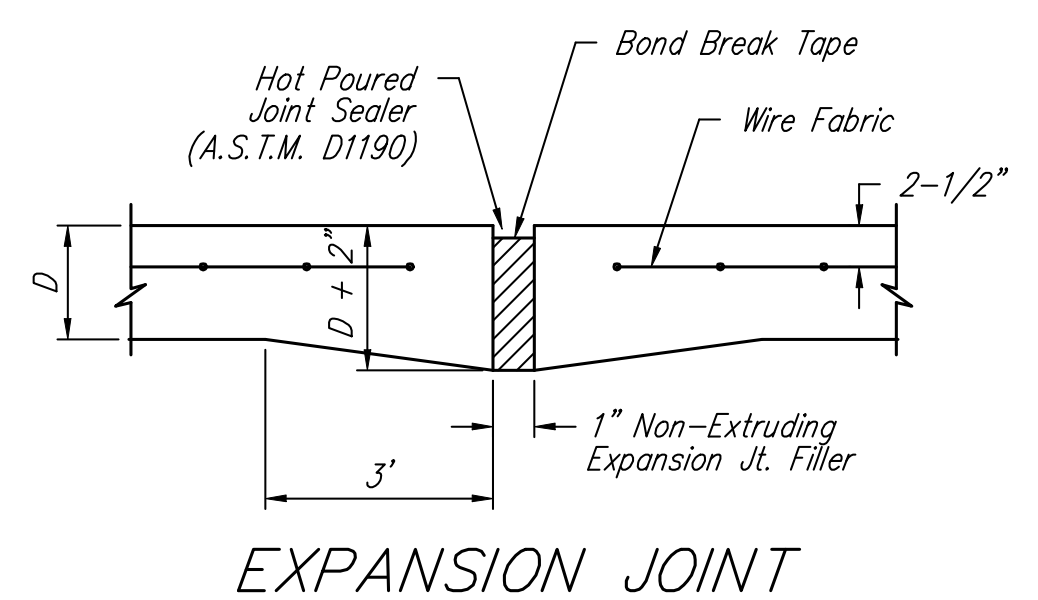
OPTIONAL LONGITUDINAL JOINT DETAIL (L.J.)
(CONSTRUCTION JOINT)



SAW JOINT DETAIL "A"

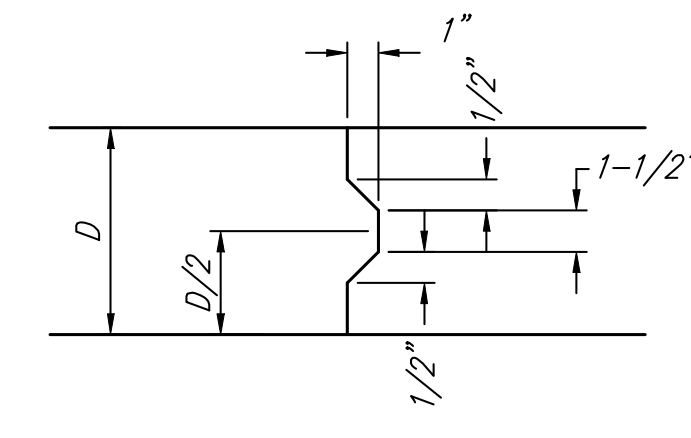


SAW JOINT DETAIL "B"



EXPANSION JOINT

NOTE: Extra Thickness to be Subsidiary to Price of Square Yards Pavement



KEYWAY DETAIL

