

GENERAL NOTES

Special Concrete Bridge Approach shall be paid for as square yards of Concrete Pavement (10" Unif.)(AE) and includes all work and materials required to construct the approach slab and sleeper slab as shown on this sheet.

All work and materials required for installation of expansion joints and pressure relief joints shall be subsidiary to this bid item.

All preformed joint material shall be installed perpendicular to pavement surface. Formed joints shall be edged with a 1/4" radius tool for length of joint.

At the Contractors option, #4 X 3'-0" tie bars at 15" centers may be substituted for the #6E bars at 2'-6" centers.

All reinforcing shall be epoxy coated.

See Std. Dwg. RD711 and RD712 for details of joints and reinforcing mesh.

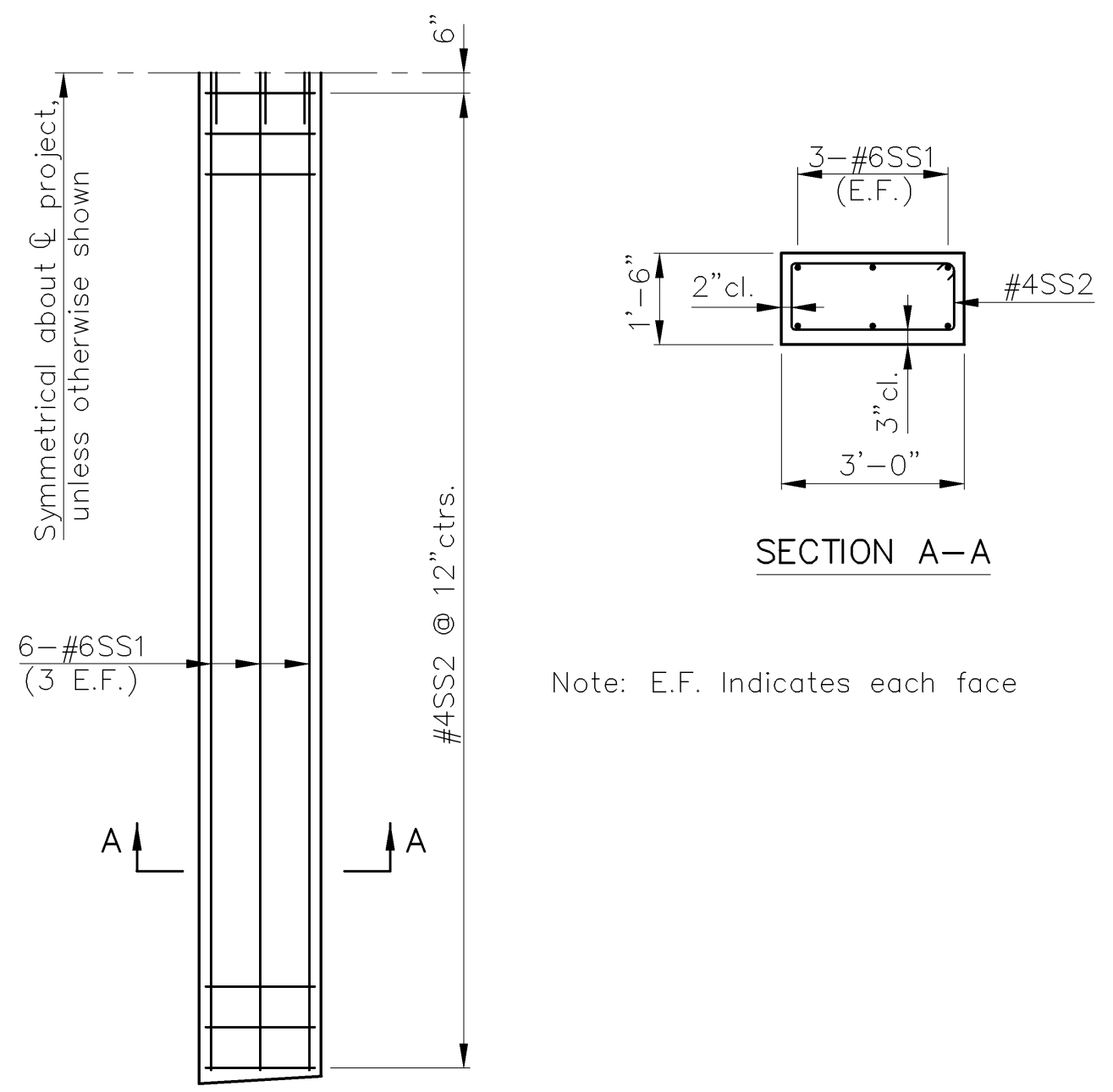
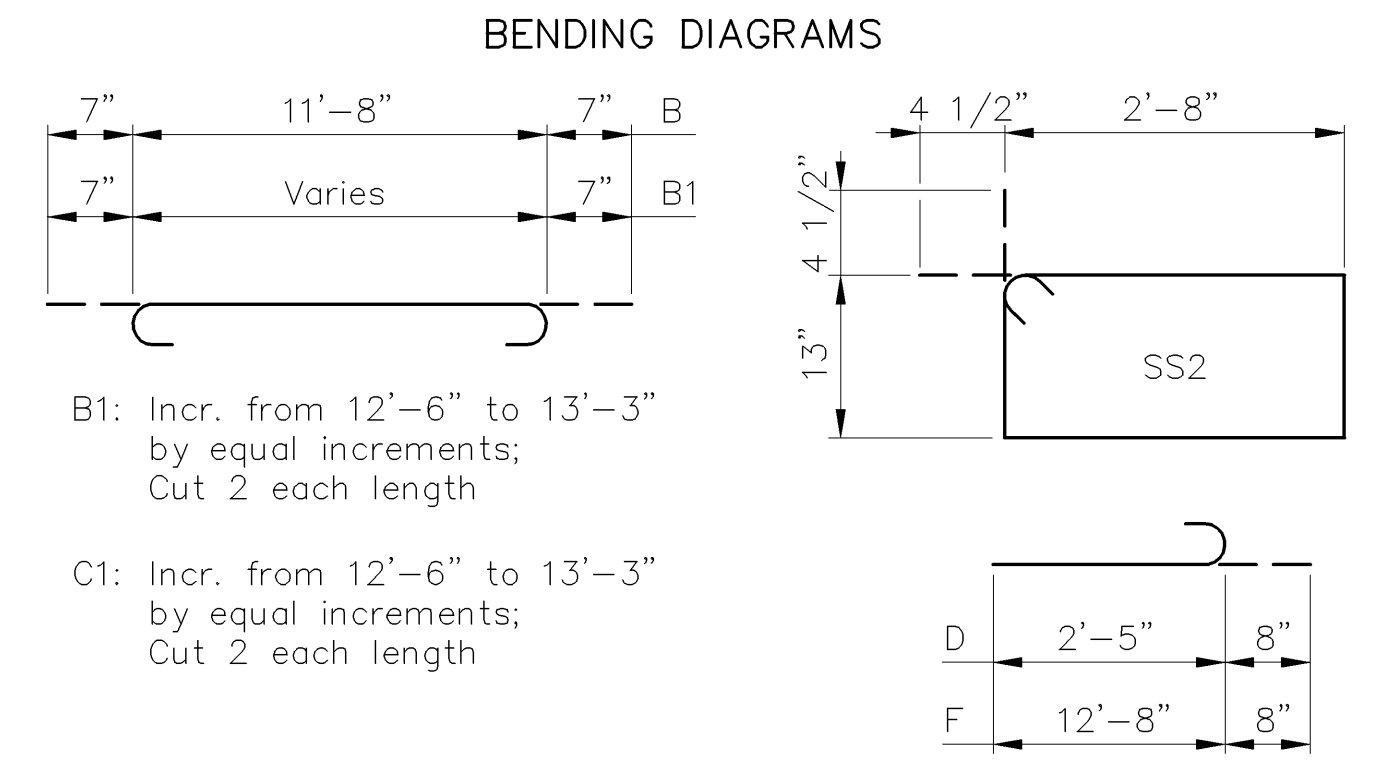
Clearance from the face of concrete for all reinforcing steel shall be 2", unless otherwise shown.

Standard reinforcing bar hooks in accordance with the latest ACI specifications shall be used throughout.

It is recommended that the Contractor confirm the the dimensions of the existing bridge and pavement in the field prior to ordering reinforcing and joint material.

BILL OF REINFORCING STEEL

STRAIGHT BARS				BENT BARS			
Mark	Size	No.	Length	Mark	Size	No.	Length
E	#6	33	3'-0"	D	#6	32	3'-1"
SS1	#6	12	25'-10"	F	#6	100	13'-4"
A	#5	54	12'-8"	B	#5	26	12'-10"
C	#5	18	11'-8"	B1	#5	26	Varies
C1	#5	18	Varies	SS2	#4	50	8'-3"
E1	#4	26	3'-0"				



BILL OF MATERIALS

Concrete Pavement (10" Unif.)(AE)	180.7	Sq. Yds.
Grade 4.5 Concrete (AE)(SW)	62.0	Cu. Yds.
Reinforcing Steel (Gr. 60) (Epoxy Coated)	6,120	Lbs.
Expansion Joint	49.6	Lin. Ft.
4" Pressure Relief Joint	45.0	Lin. Ft.

Note: Concrete, reinforcing steel and joint lengths are shown for information only. Sleeper slabs shall not be paid for directly but shall be subsidiary to the bid item "Concrete Pavement (10" Unif.)(AE)".

PROJECT NO. 87 N-0247-01
**CONCRETE APPROACH PAVEMENT
 (NORTH APPROACH)**
 OLIVER ST. BRIDGE OVER GYPSUM CREEK
 STA. 26+53.8

CFS
Cook, Flatt & Strobel
 ENGINEERS, P.A.

DESIGNED	RSC	SCALE
DETAILED	DEG	DATE
QUANTITIES		SHEET OF