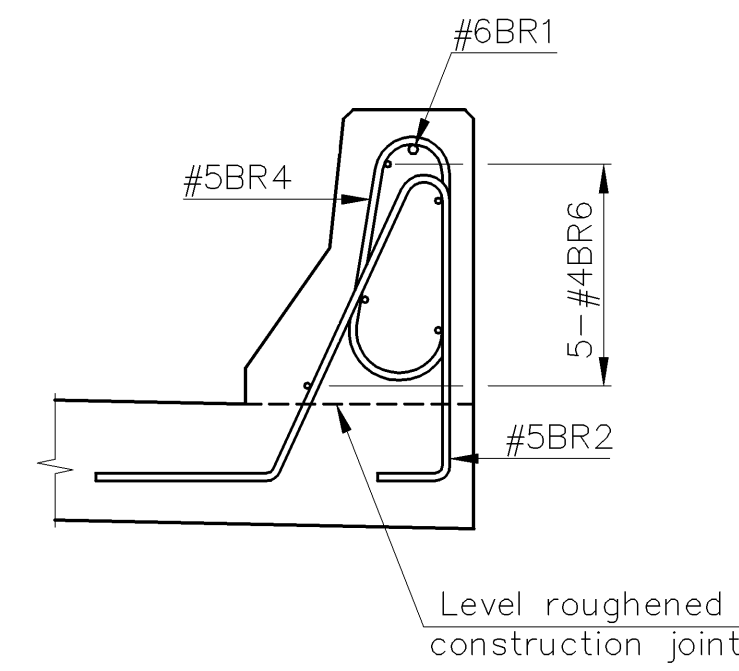
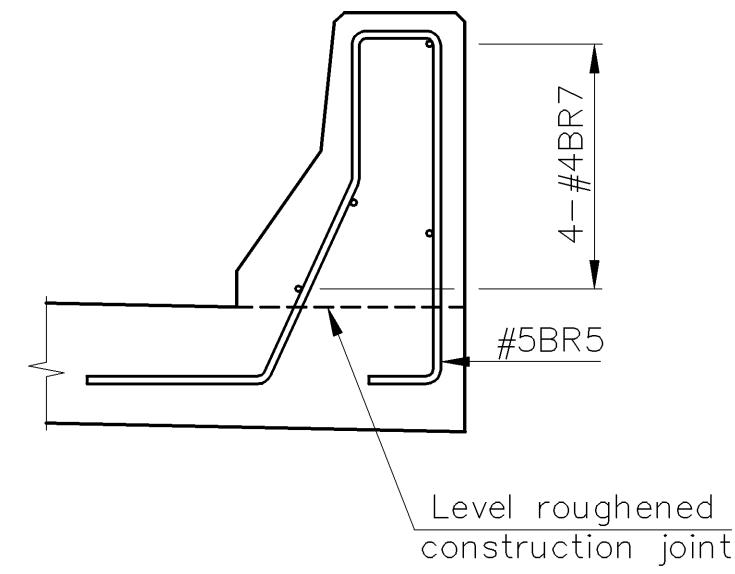


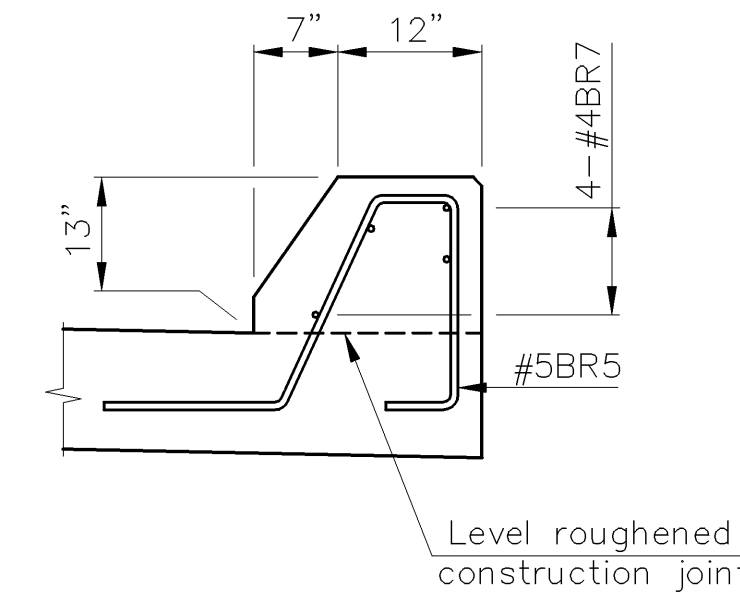
SECTION A-A



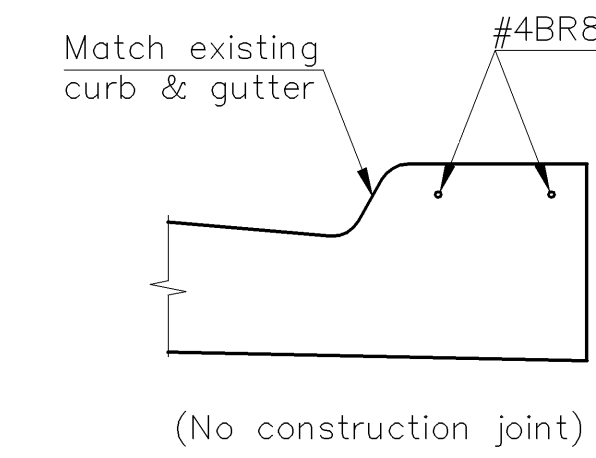
SECTION B-B



SECTION C-C



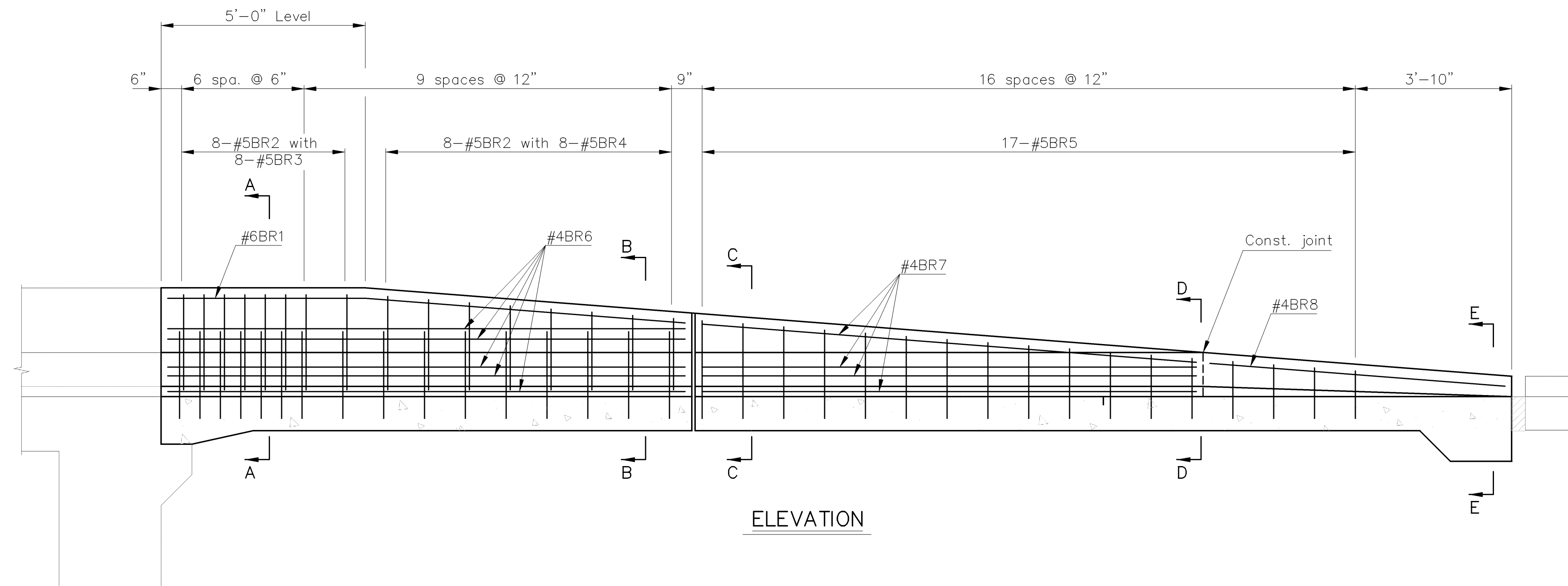
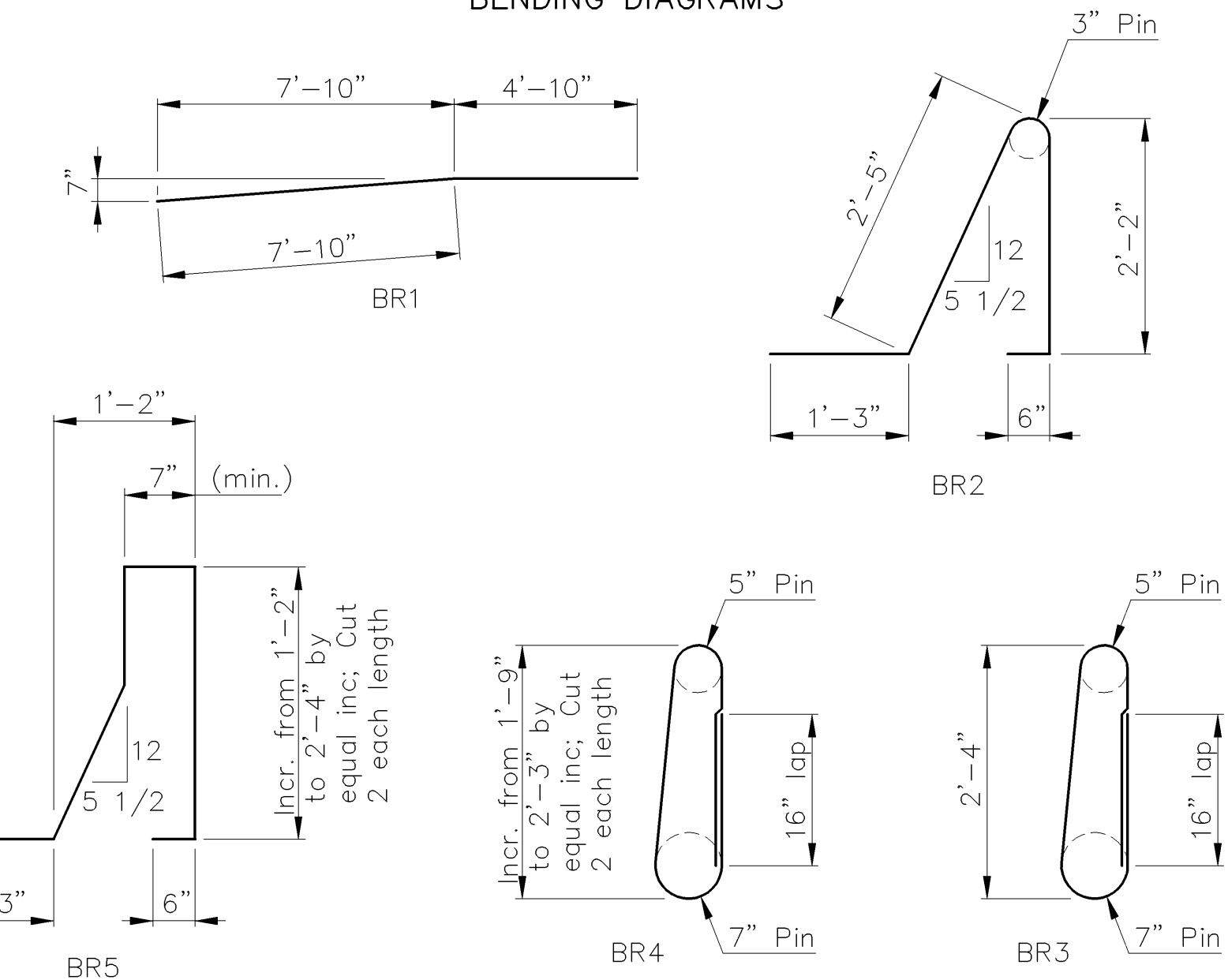
SECTION D-D



SECTION E-E

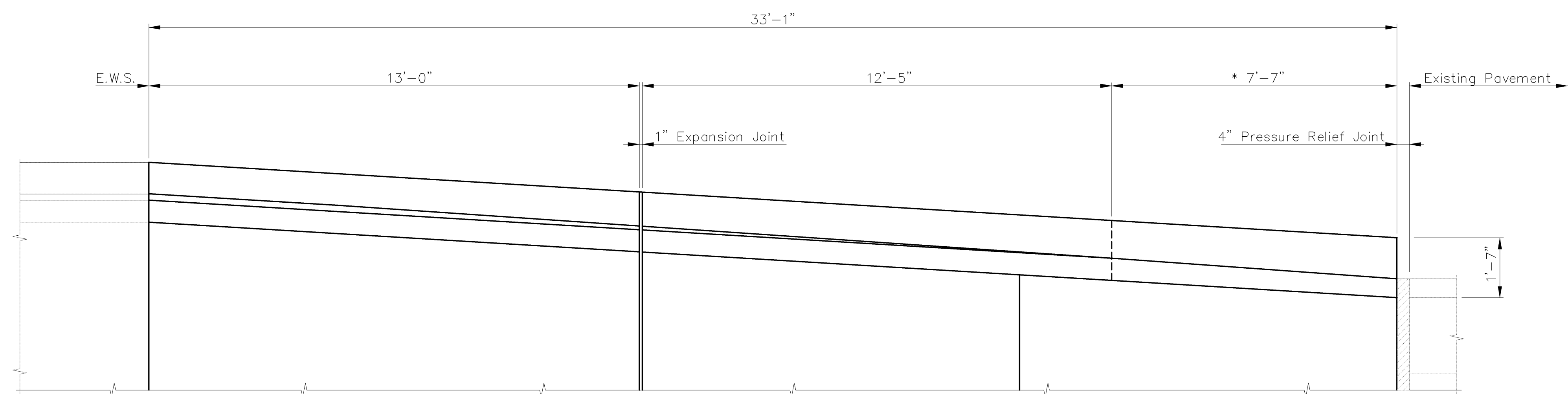
BILL OF REINFORCING STEEL							
STRAIGHT BARS				BENT BARS			
Mark	Size	No.	Length	Mark	Size	No.	Length
BR6	#4	10	12'-8"	BR1	#6	2	12'-8"
BR7	#4	8	12'-1"	BR2	#5	32	6'-6"
BR8	#4	4	7'-3"	BR3	#5	16	6'-7"
				BR4	#5	16	Varies
				BR5	#5	34	Varies

BENDING DIAGRAMS



ELEVATION

* This segment to be poured as a single unit with the approach pavement.



PLAN

BILL OF MATERIALS		
Concrete Safety Barrier (Special)	66.2	Lin. Ft.
Grade 4.5 Concrete (AE)	5.1	Cu. Yds.
Reinforcing Steel (Gr. 60) (Epoxy Coated)	845	Lbs.

Note: Concrete and reinforcing steel are shown for information only.
All reinforcing shall be epoxy coated.
Clearance from the face of concrete for all reinforcing steel shall be 2", unless otherwise shown.

PROJECT NO. 87 N-0247-01
CONCRETE SAFETY BARRIER
(SPECIAL) (NORTH APPROACH)
OLIVER ST. BRIDGE OVER GYPSUM CREEK
STA. 26+53.8 CITY OF WICHITA

CFS
Cook, Flatt & Strobel
ENGINEERS, P. A.

DESIGNED	RSC	SCALE
DETAILED	DEG	DATE
QUANTITIES		SHEET OF