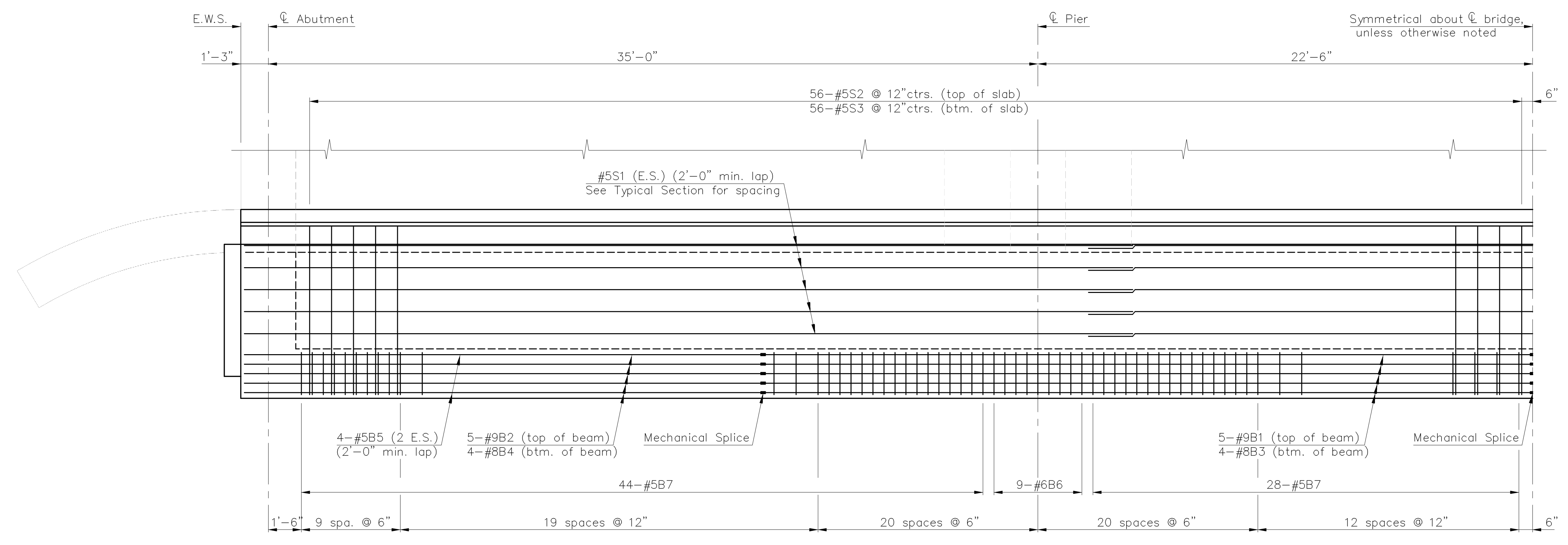


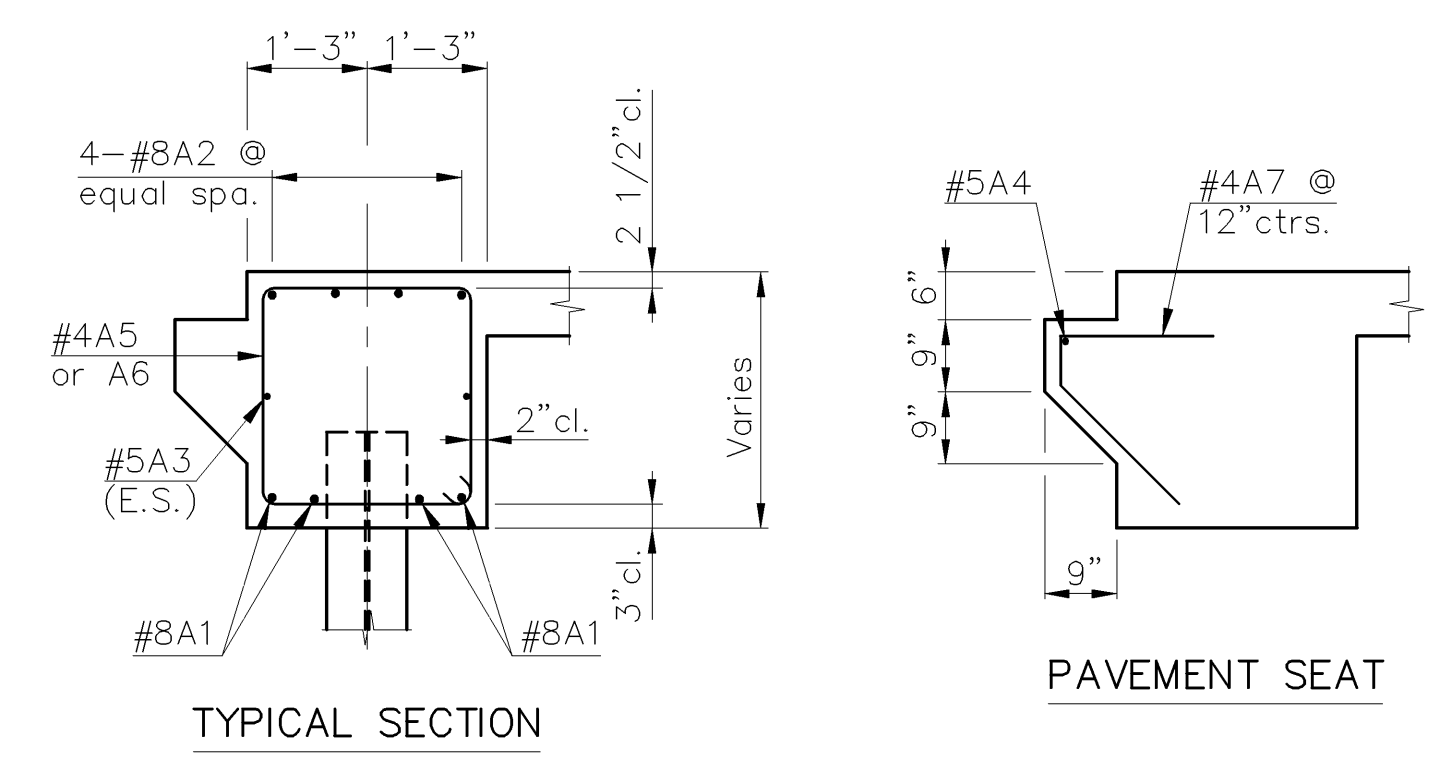
Note: N.S. Indicates near surface
 F.S. Indicates for surface
 E.S. Indicates each surface

F.H.W.A. REGION NO.	STATE	PROJECT NO.	YEAR	SHEET NO.	TOTAL SHEETS
7	KANSAS	87 N-0247-01	2005	14	48

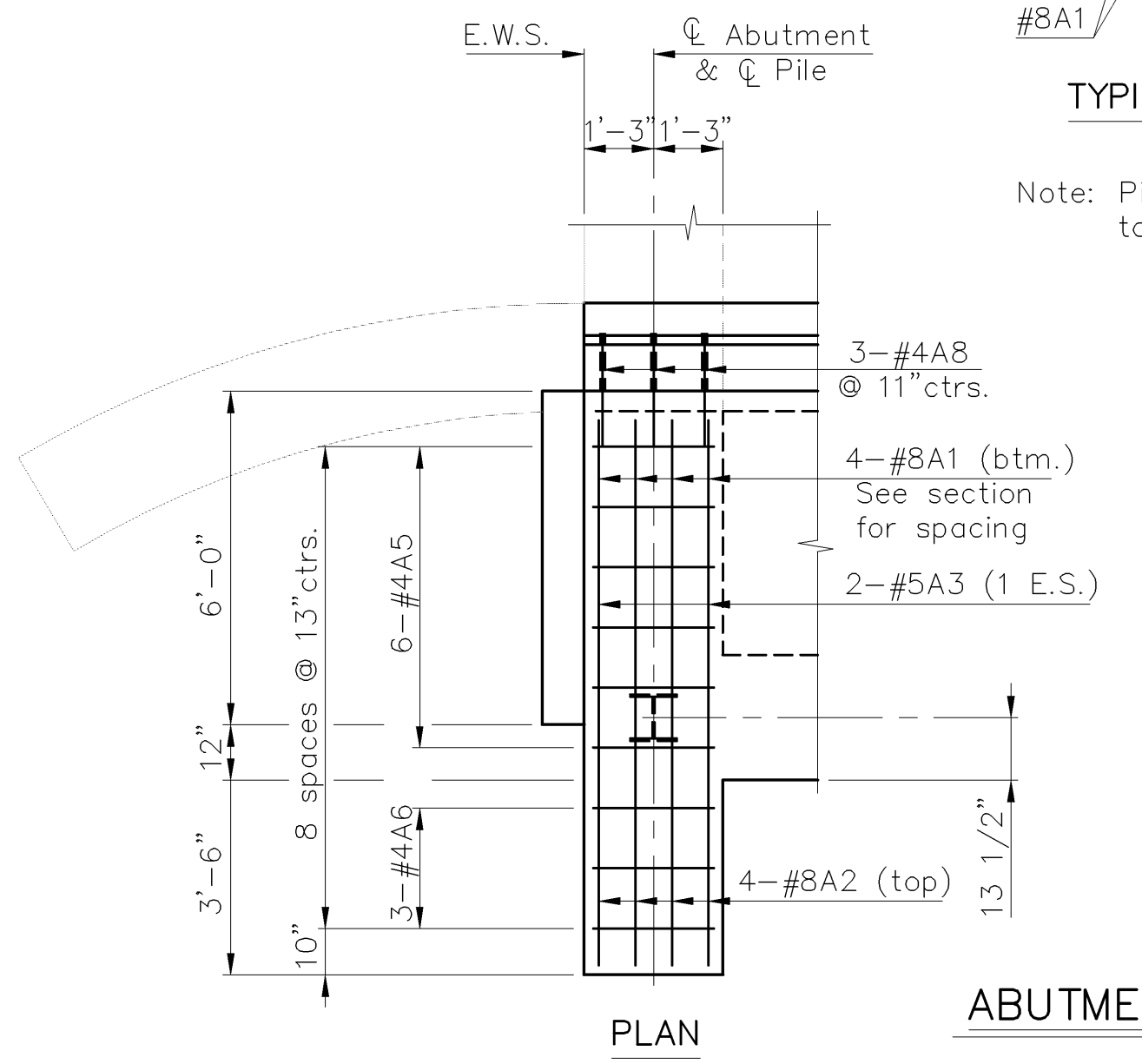


PLAN

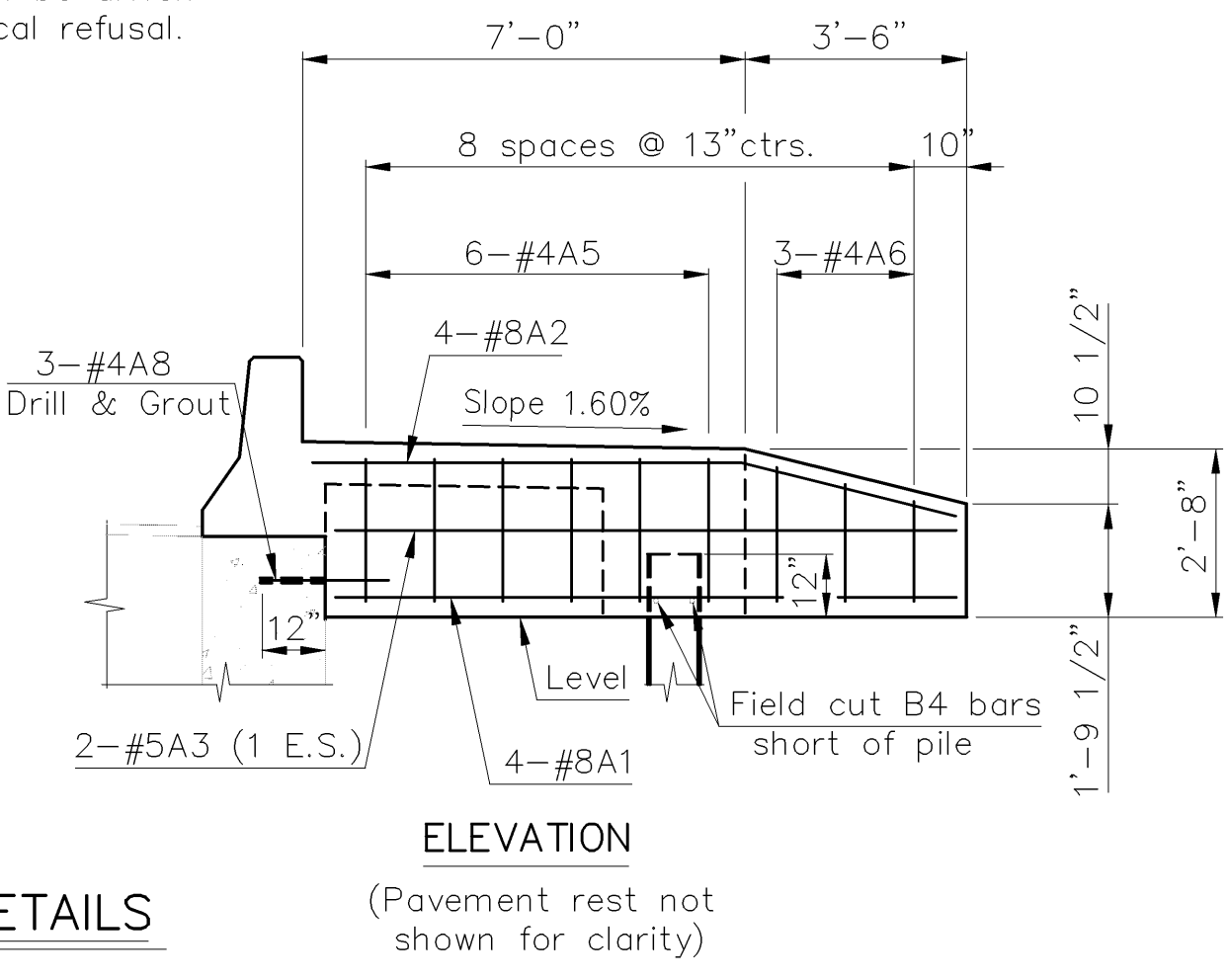
(One quadrant shown, other quadrants similar)



Note: Piles shall be driven to practical refusal.

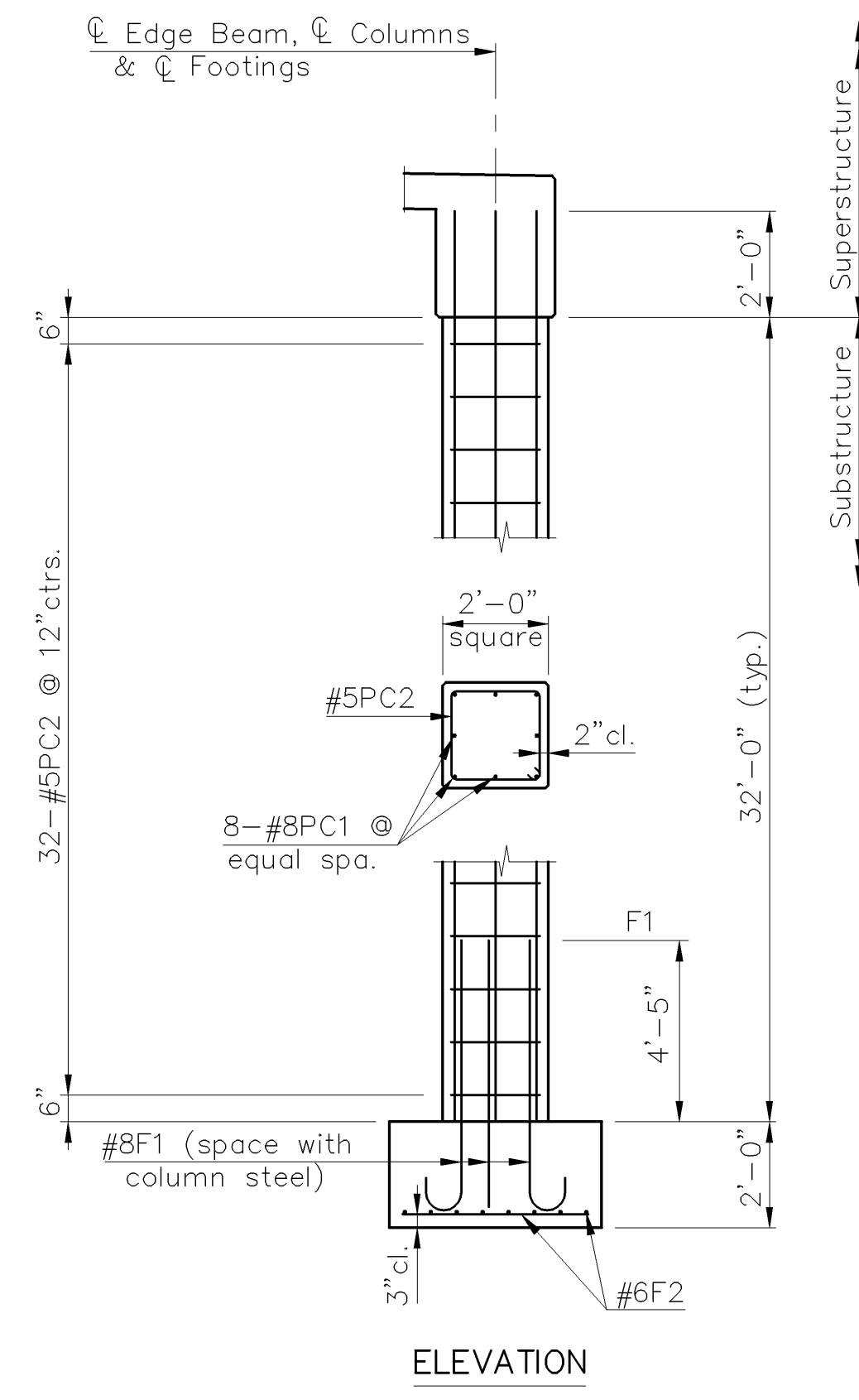


ABUTMENT DETAILS



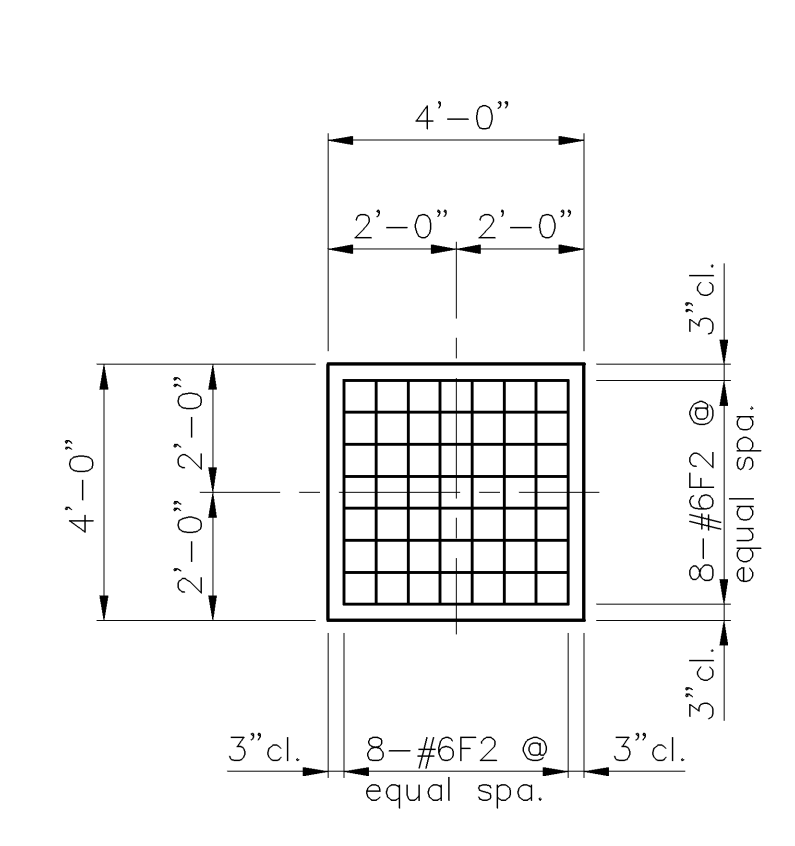
ELEVATION

(Pavement rest not shown for clarity)



ELEVATION

PIER DETAILS



FOOTING PLAN

Design Footing Pressure
 2.6 Tons per sq. ft.

Note: The final footing excavation shall be approved by the Engineer. Column lengths shall be adjusted as required to key the footings a minimum of 12" into hard shale.

J:\2003PROJ\03548\DWGS\SLAB 1"=3'

PROJECT NO. 87 N-0247-01		CFS Cook, Flatt & Strobel ENGINEERS, P.A.
BRIDGE IMPROVEMENT DETAILS		
OLIVER ST. BRIDGE OVER GYPSUM CREEK		DESIGNED RSC SCALE
STA. 26+53.8 CITY OF WICHITA		DETAILED DEG DATE
		QUANTITIES SHEET OF