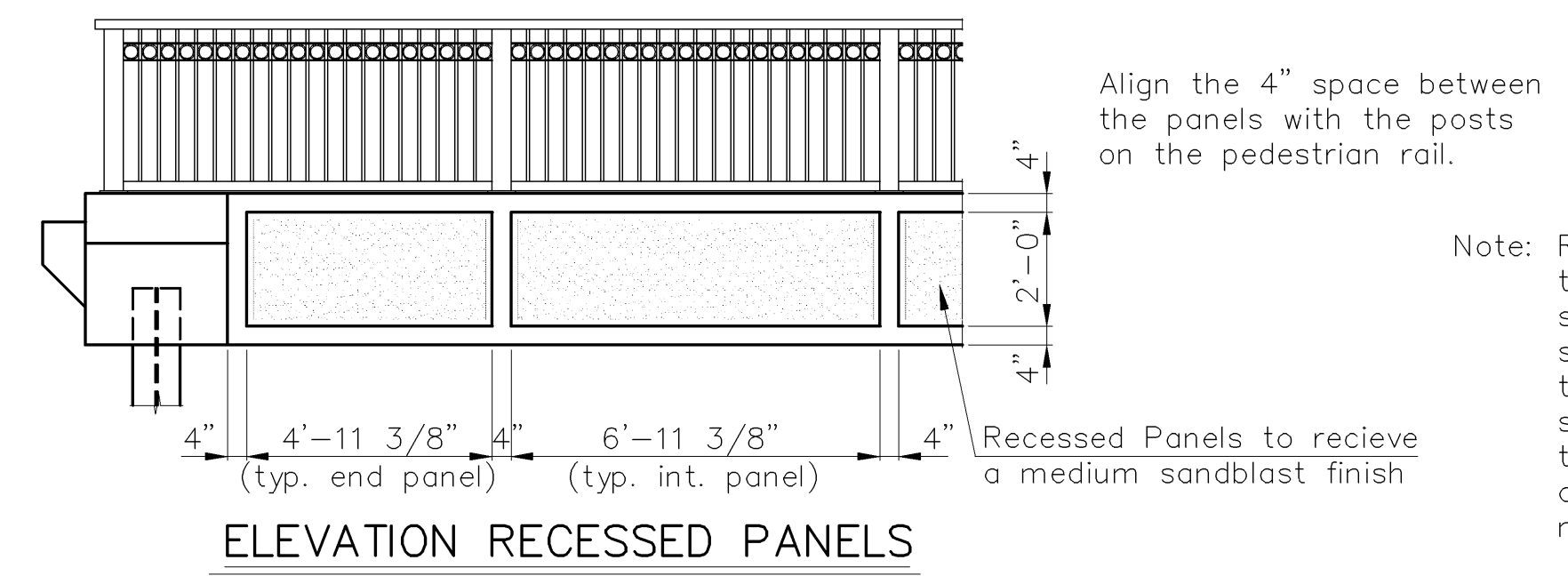
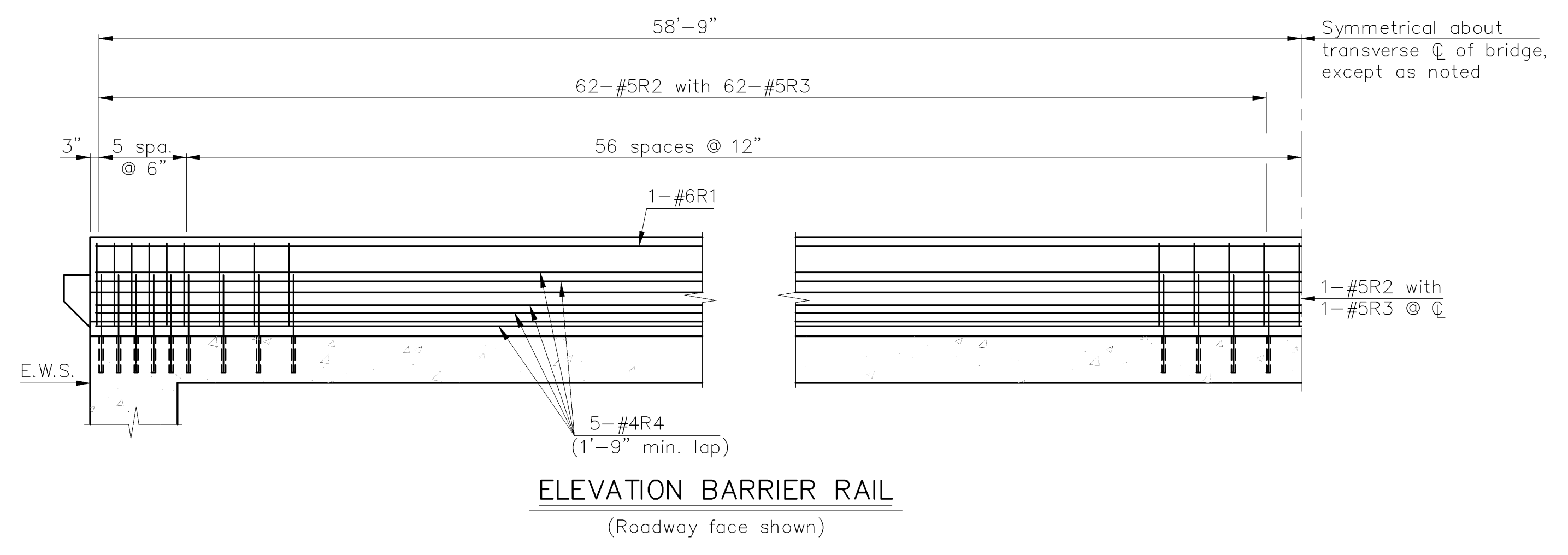
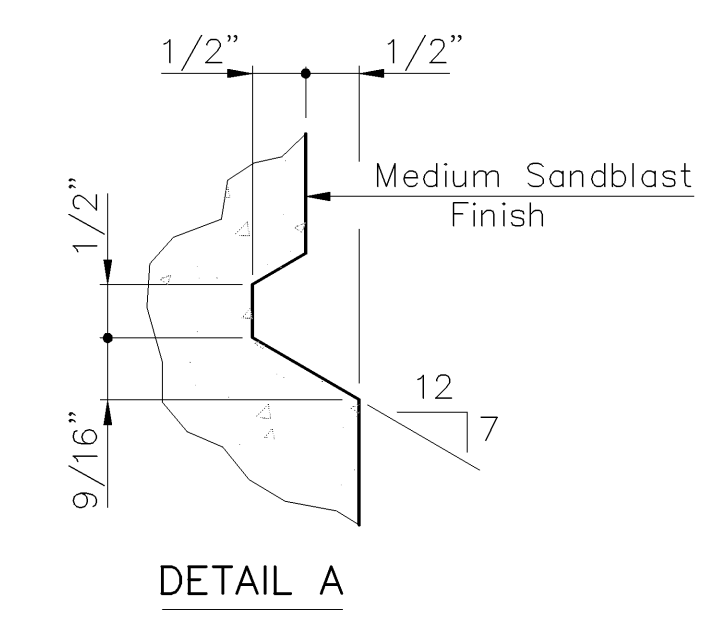
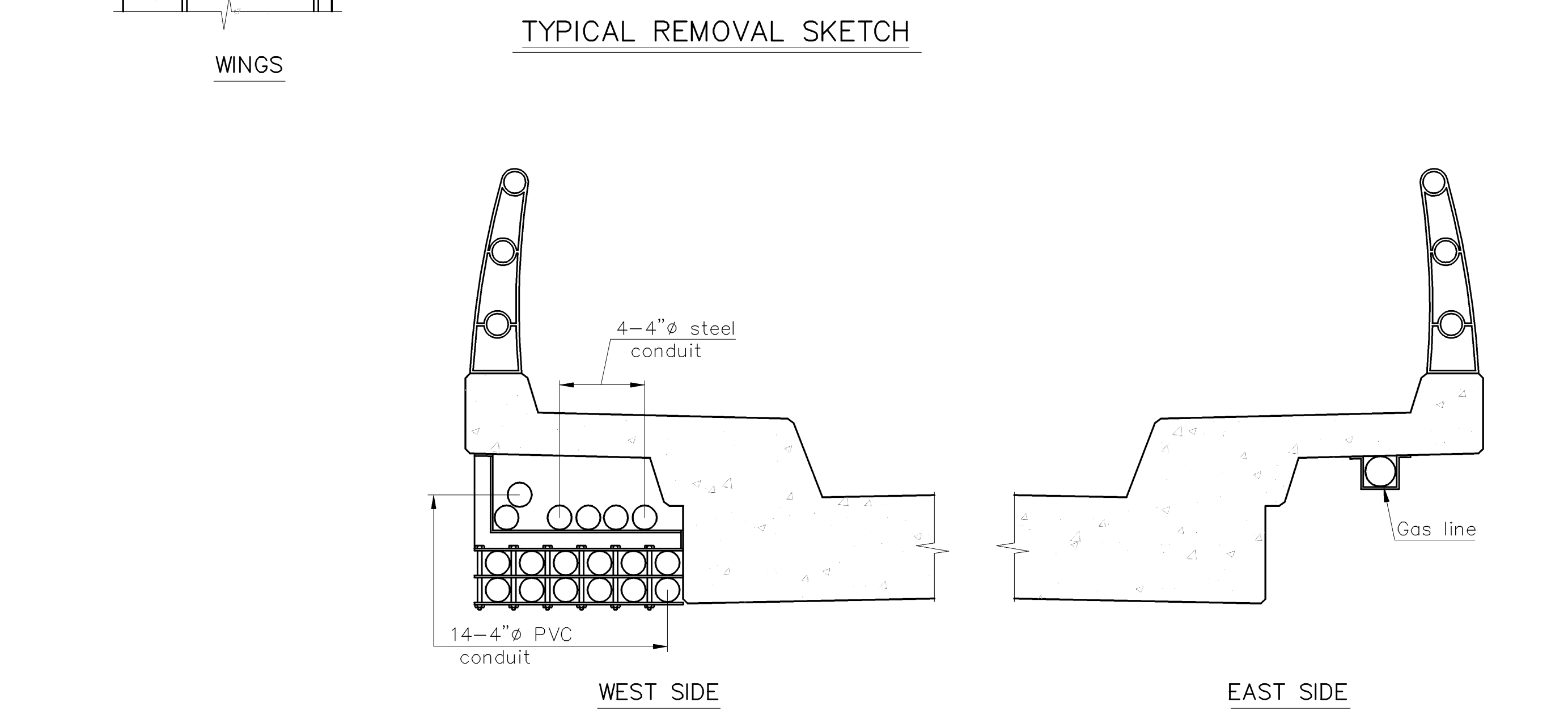
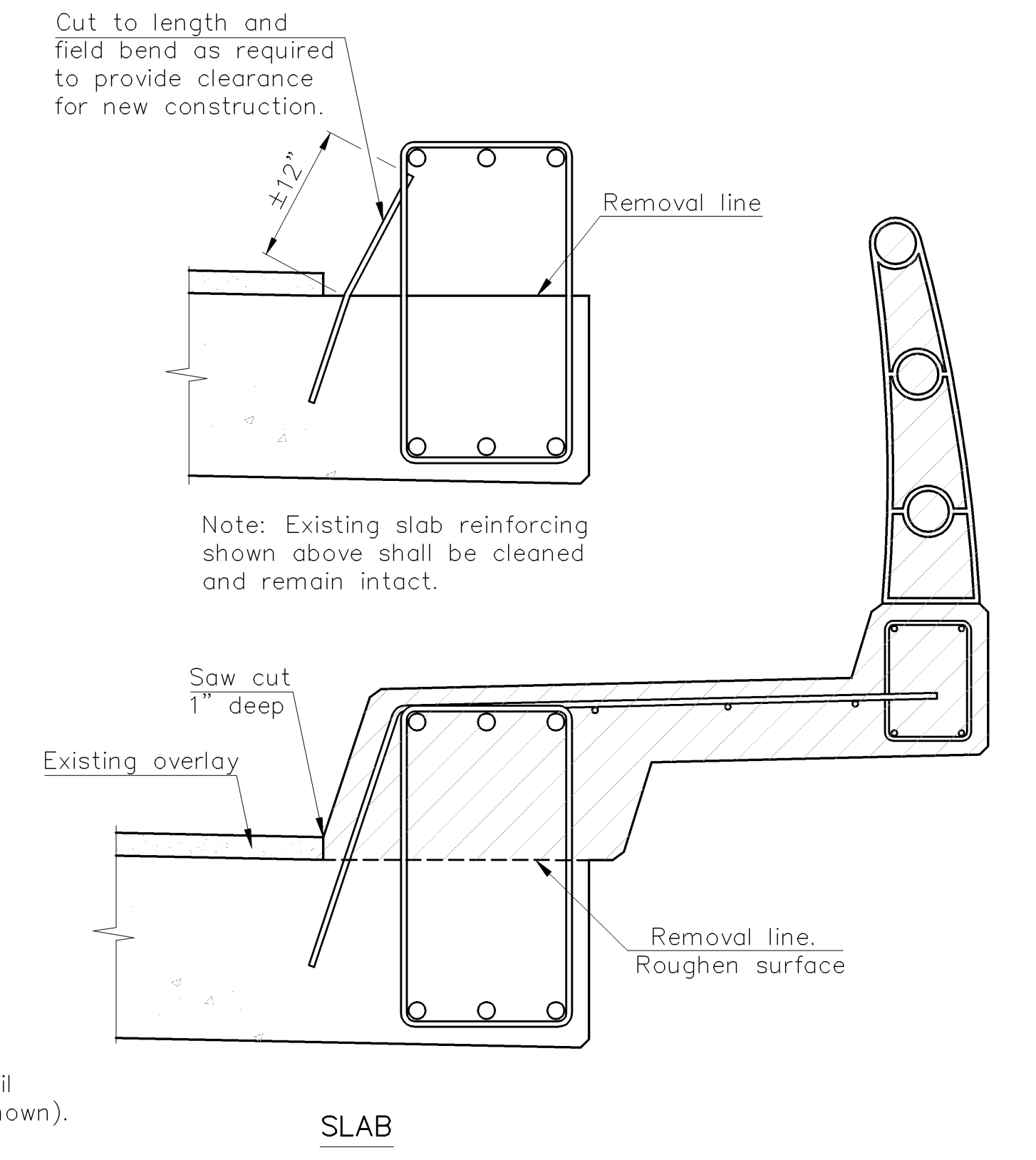
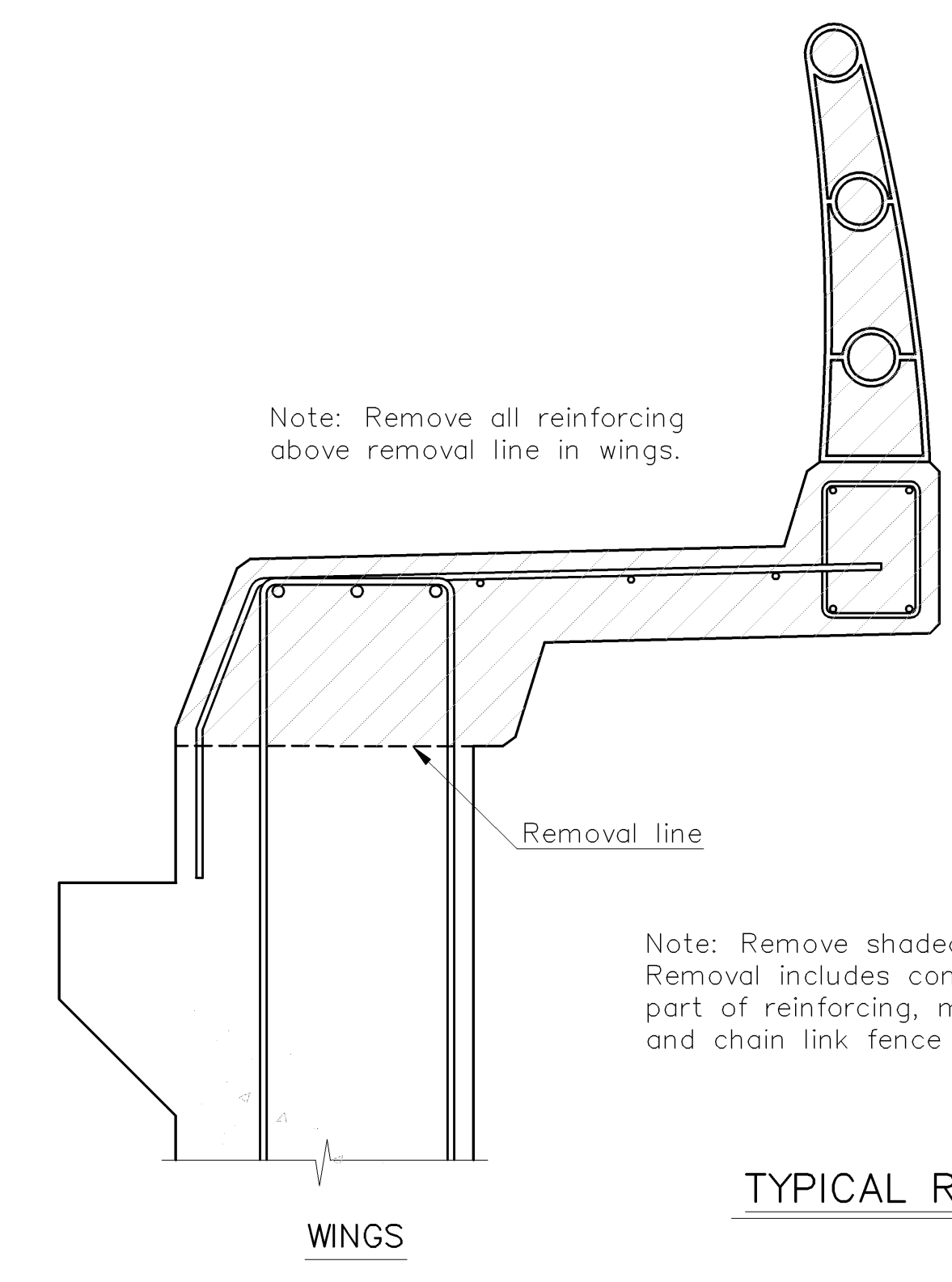
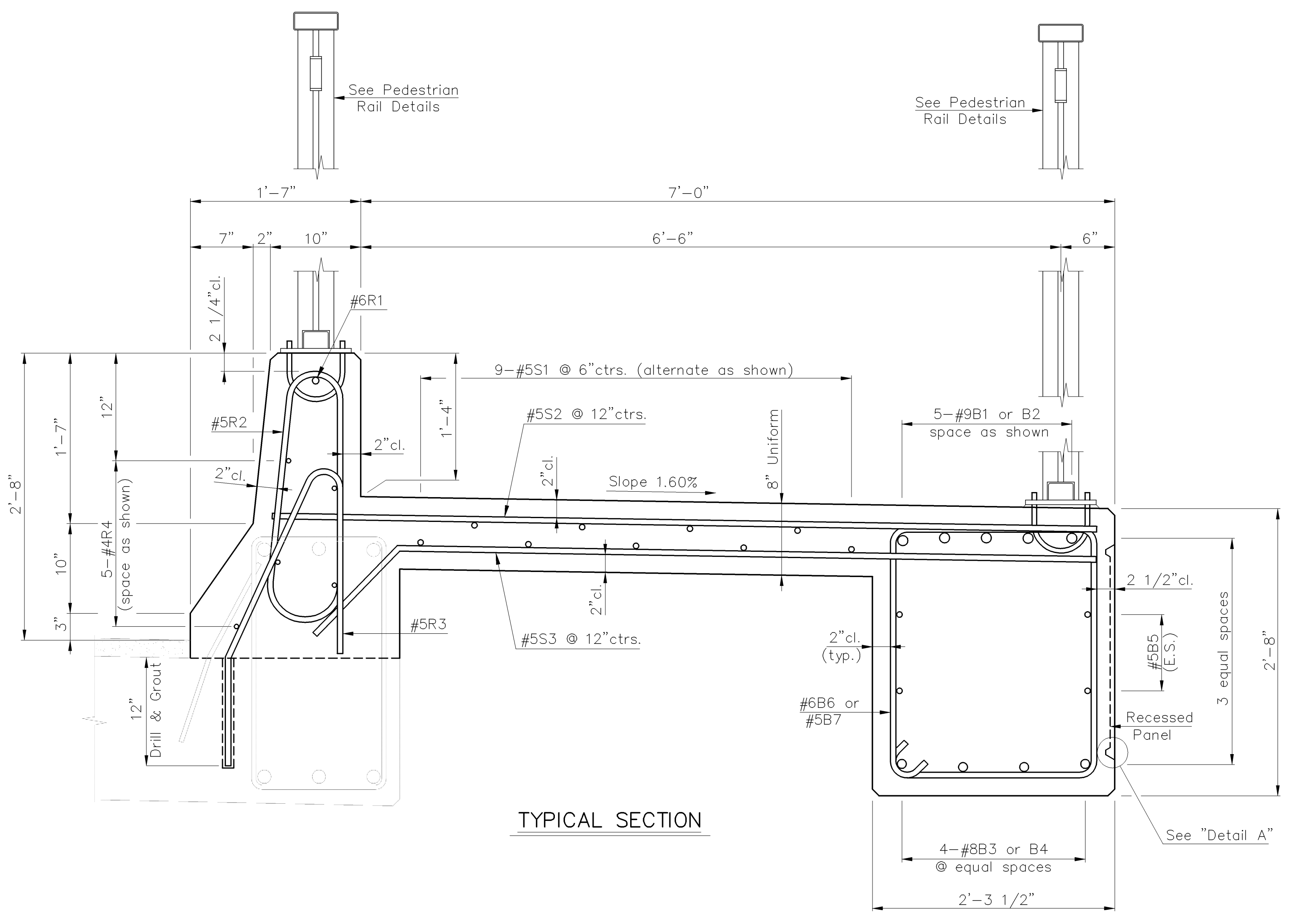


F.H.W.A. REGION NO.	STATE	PROJECT NO.	YEAR	SHEET NO.	TOTAL SHEETS
7	KANSAS	87 N-0247-01	2005	15	48

Note: N.S. Indicates near surface  
F.S. Indicates for surface  
E.S. Indicates each surface



Note: Recessed panels shall be constructed on the outside face of the concrete beams as shown. The panels shall receive a medium sandblast finish. Contractor shall take steps to protect all outside surfaces from the sandblasting. Payment shall be incidental to other work. At the Contractors option, approved "medium sandblast" form liners may be used in lieu of field sandblasting.



PROJECT NO. 87 N-0247-01

**BRIDGE IMPROVEMENT DETAILS**

OLIVER ST. BRIDGE OVER GYPSUM CREEK

STA. 26+53.8 CITY OF WICHITA

**CFS**  
Cook, Flatt & Strobel  
ENGINEERS, P.A.

DESIGNED	RSC	SCALE
DETAILED	DEG	DATE
QUANTITIES		SHEET OF

J:\2003PROJ\03548\DWGS\SLAB 1"=3'