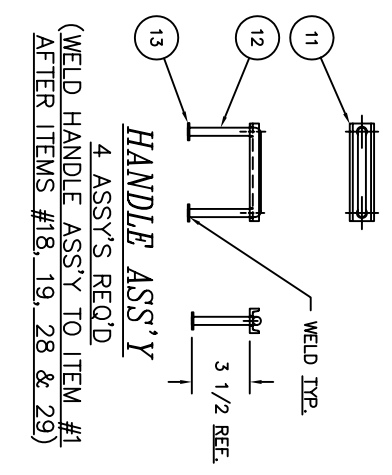
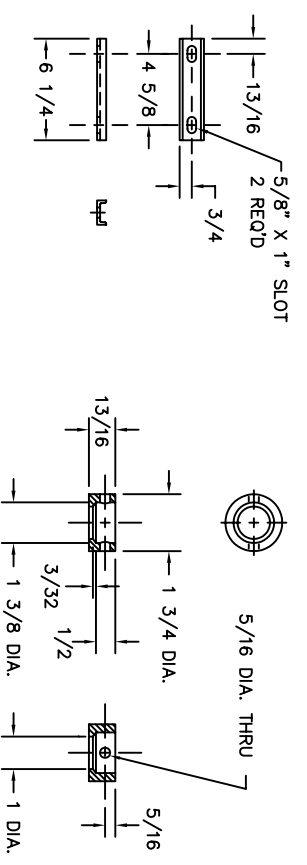


ITEM	REQ.	DESCRIPTION
11	4	1 1/2" X 9/16" X 3/16" BAR CHANNEL X 6 1/4"
12	4	1/2" DIA. HR. ROUND X 14"
13	8	1/2" FLAT WASHER
18	2	1 3/4" O.D. X 1" I.D. X 1" C.D. RD. TUBING
19	2	7 GA. X 2" X 7 13/16" HOT ROLLED FLAT
21	1	7 GA. X 5 5/8" X 48" HOT ROLLED SHEET
22	1	7 GA. X 4 9/16" X 48" HOT ROLLED SHEET
23	1	7 GA. X 8 3/4" X 48" HOT ROLLED SHEET
24	1	1" X 1" X 3/16" X 48" ANGLE
25	4	7 GA. X 5 5/8" X 5 5/8" H.R.S. (LASER #49 BLANK 12" X 36" MAKES 12)
26	2	1/2" UNC HEX NUT

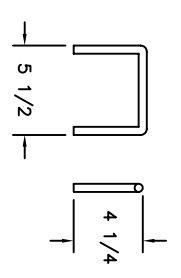


HANDLE ASS'Y
4 ASSY'S REQ'D
(WELD HANDLE ASS'Y TO ITEM #1
AFTER ITEMS #18, 19, 28 & 29)

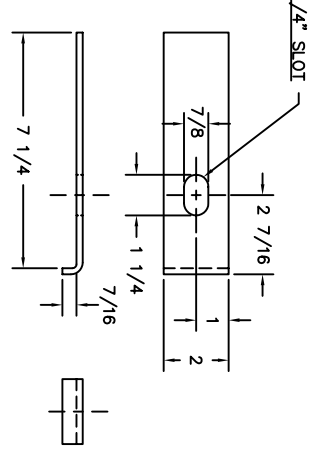


11 4 PCS. REQ'D
3/16" = 1" SCALE

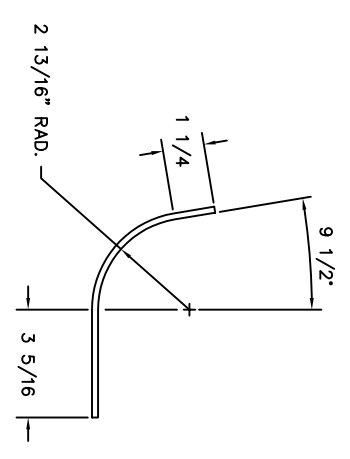
18 2 PCS. REQ'D
3/8" = 1" SCALE



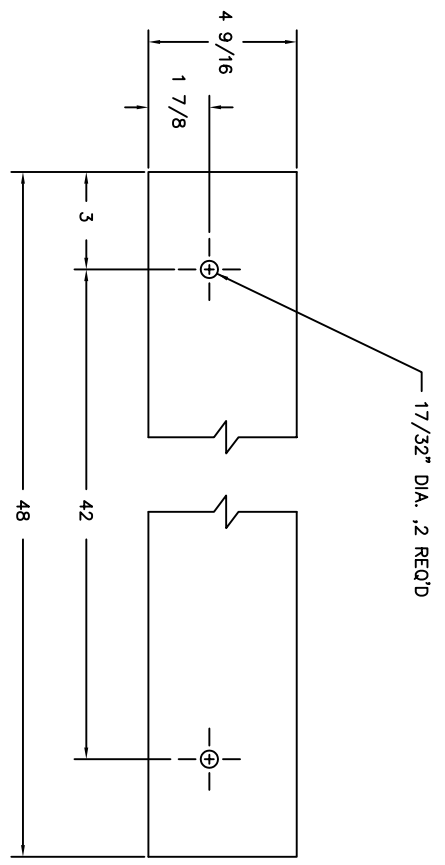
12 4 PCS. REQ'D
3/16" = 1" SCALE



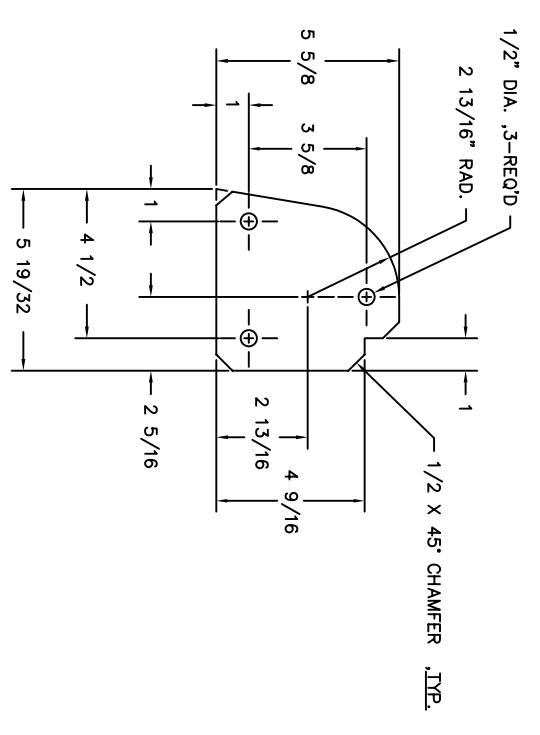
19 2 PCS. REQ'D



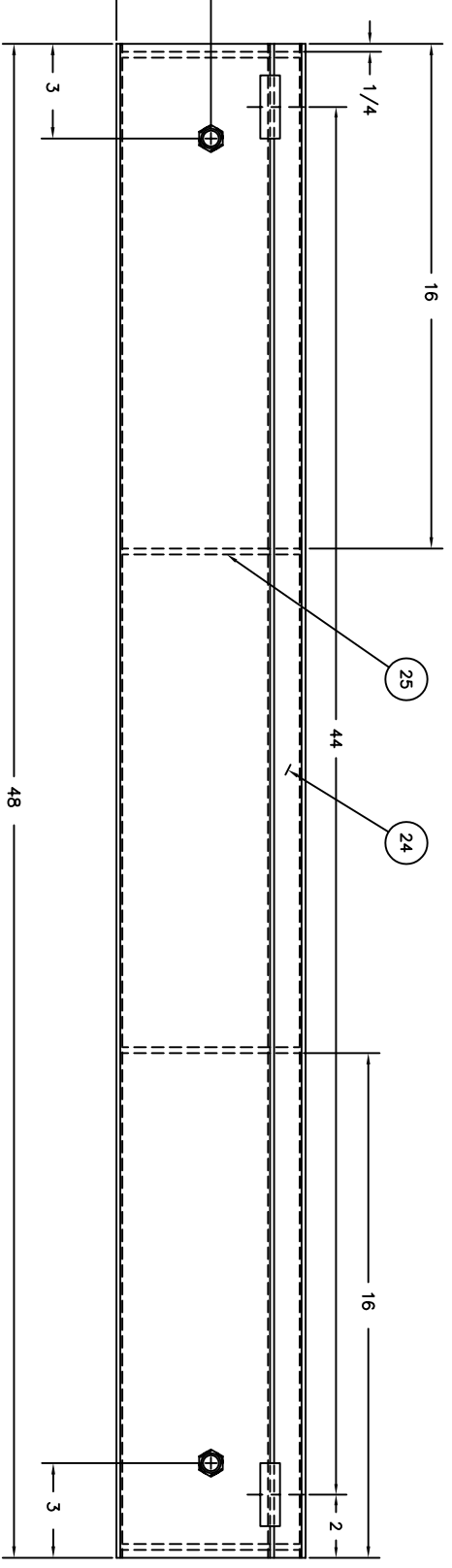
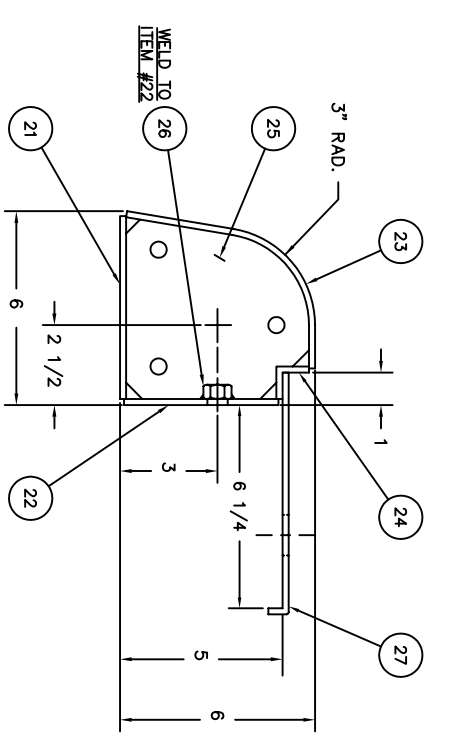
23 1 PC. REQ'D



22 1 PC. REQ'D



25 4 PCS. REQ'D



NO.	REVISION	DATE	BY
1	ADDED 1/4" TO ITEM 19	6/7/01	RLF
2	CHANGED LASER 486, DETAIL DIMS 8/13/01		RLF
3			
4			
5			
6			

HARTFORD CONCRETE PRODUCTS, INC.
HARTFORD CITY, INDIANA

**CURB ENTRANCE WITH TAB
HS-20 LOADING DESIGN**

SCALE: 3/8"=1"
DATE: 1/11/00
DRAWING NO.: 9496
59/78

CURB ASSEMBLY