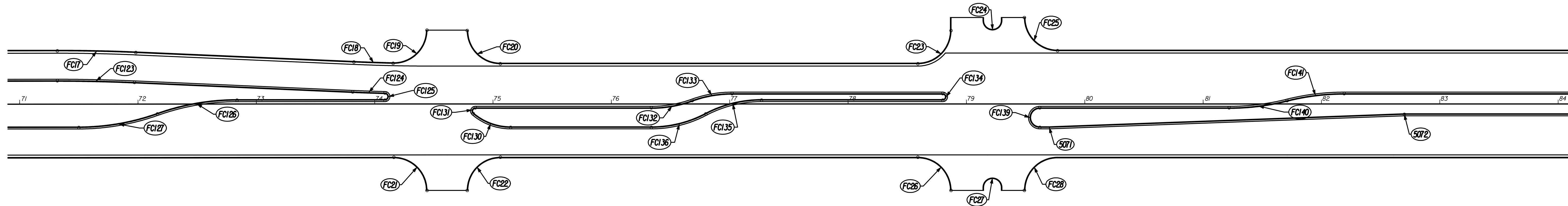


DSNR: OPER: JGP SCALE: 1"=40' I:\2004\04219\COORD7100.DGN 8-22-2005 13:19:29 LAST REV: 8-22-2005 BY: RJM

NO.	Δ	R	T	L	E	CURVE DATA							
						P.C. COORDINATES		P.I. COORDINATES		P.T. COORDINATES		C.C. COORDINATES	
						NORTH	EAST	NORTH	EAST	NORTH	EAST	NORTH	EAST
FC17	2' 31" 45" RT	1,502.00'	33.16'	66.30'	0.37'	1,696,926.1453	1,686,211.0023	1,696,959.2990	1,686,210.5377	1,696,992.4410	1,686,211.5366	1,696,947.1908	1,687,712.8548
FC18	1' 16" 04" LT	1,498.00'	16.58'	33.15'	0.09'	1,697,176.8452	1,686,217.0946	1,697,193.4131	1,686,217.5939	1,697,209.9879	1,686,217.7266	1,697,221.9748	1,684,719.7745
FC19	9" 13' 39" LT	28.00'	28.61'	44.58'	12.03'	1,697,209.9879	1,686,217.7266	1,697,238.5935	1,686,217.9555	1,697,238.2095	1,686,189.3516	1,697,210.2120	1,686,189.7275
FC20	9" 00' 00" LT	28.00'	28.00'	43.98'	11.60'	1,697,272.2113	1,686,189.2329	1,697,272.5868	1,686,217.2304	1,697,300.5843	1,686,216.8549	1,697,300.2088	1,686,188.8574
FC21	9" 00' 00" RT	28.00'	28.00'	43.98'	11.60'	1,697,240.0249	1,686,324.6768	1,697,239.6494	1,686,296.6793	1,697,211.6519	1,686,297.0548	1,697,212.0274	1,686,325.0523
FC22	9" 00' 00" RT	28.00'	28.00'	43.98'	11.60'	1,697,274.0218	1,686,324.2208	1,697,273.6463	1,686,296.2233	1,697,301.6438	1,686,295.8478	1,697,302.0193	1,686,323.8453
FC23	9" 00' 00" LT	28.00'	28.00'	43.98'	11.60'	1,697,653.3686	1,686,212.1233	1,697,681.3661	1,686,211.7478	1,697,680.9905	1,686,183.7503	1,697,652.9931	1,686,184.1258
FC24	18" 00' 00" LT	8.00'	—	25.13'	—	1,697,707.8741	1,686,174.8889	—	—	1,697,723.8727	1,686,174.6744	1,697,715.8734	1,686,174.7816
FC25	9" 00' 00" LT	28.00'	28.00'	43.98'	11.60'	1,697,742.8164	1,686,171.9201	1,697,743.1919	1,686,199.9175	1,697,771.1894	1,686,199.5420	1,697,770.8139	1,686,171.5445
FC26	9" 00' 00" LT	28.00'	28.00'	43.98'	11.60'	1,697,654.4280	1,686,291.1161	1,697,682.4255	1,686,290.7406	1,697,682.8010	1,686,318.7381	1,697,654.8036	1,686,319.1136
FC27	18" 00' 00" RT	8.00'	—	25.13'	—	1,697,709.7651	1,686,315.8762	—	—	1,697,725.7636	1,686,315.6616	1,697,717.7644	1,686,315.7689
FC28	9" 00' 00" RT	28.00'	28.00'	43.98'	11.60'	1,697,744.7955	1,686,317.9066	1,697,744.4200	1,686,289.9091	1,697,772.4174	1,686,289.5336	1,697,772.7929	1,686,317.5311
FC123	2' 31' 45" RT	1,476.75'	32.60'	65.19'	0.36'	1,696,926.4991	1,686,236.2498	1,696,959.0955	1,686,235.7930	1,696,991.6803	1,686,236.7751	1,696,947.1908	1,687,712.8548
FC124	1' 01' 41" LT	1,523.25'	13.67'	27.33'	0.06'	1,697,176.0845	1,686,242.3331	1,697,189.7461	1,686,242.7449	1,697,203.4129	1,686,242.9114	1,697,221.9748	1,684,719.7745
FC125	17' 32' 00" RT	3.00'	234.38'	9.35'	231.40'	1,697,203.4129	1,686,242.9114	1,697,437.7799	1,686,245.7676	1,697,203.4166	1,686,248.9109	1,697,203.3763	1,686,245.9112

COORDINATE TABLE		
POINT	NORTH	EAST
5071	1,697,765.0764	1,686,264.3798
5072	1,698,064.9019	1,686,249.3575

CONTROL POINTS					
POINT NO.	COORDINATE	COORDINATE	STATION	OFFSET	DESCRIPTION
105	1,697,090.5056	1,686,221.3762	72+96.09	32.32' Lt	3/4" PIPE
106	1,697,716.3444	1,686,213.7579	79+21.95	31.52' Lt	1/2" REBAR
107	1,698,136.5455	1,686,255.0710	83+41.56	15.42' Rt	3/4" PIPE



NO.	Δ	R	T	L	E	CURVE DATA							
						P.C. COORDINATES		P.I. COORDINATES		P.T. COORDINATES		C.C. COORDINATES	
						NORTH	EAST	NORTH	EAST	NORTH	EAST	NORTH	EAST
FC126	19' 31' 27" RT	201.25'	34.62'	68.58'	2.96'	1,697,011.4204	1,686,263.1344	1,697,043.8891	1,686,251.1064	1,697,078.5107	1,686,250.6213	1,697,081.3305	1,686,451.8515
FC127	19' 31' 27" LT	198.75'	34.19'	67.73'	2.92'	1,696,945.1636	1,686,275.4921	1,696,979.3551	1,686,275.0130	1,697,011.4204	1,686,263.1344	1,696,942.3788	1,686,076.7616
FC130	4" 27' 33" LT	48.75'	17.97'	34.42'	3.20'	1,697,278.1794	1,686,259.2516	1,697,292.0036	1,686,270.7248	1,697,309.9670	1,686,270.4839	1,697,309.3132	1,686,221.7383
FC131	13" 24' 03" LT	2.75'	7.43'	6.69'	5.18'	1,697,279.8921	1,686,254.3858	1,697,272.4586	1,686,254.5037	1,697,278.1794	1,686,259.2516	1,697,279.9356	1,686,257.1355
FC132	19' 56' 54" LT	101.25'	17.81'	35.25'	1.55'	1,697,428.6354	1,686,252.3908	1,697,446.4399	1,686,252.1520	1,697,463.0947	1,686,245.8531	1,697,427.2775	1,686,151.1499
FC133	19' 56' 54" RT	98.75'	17.37'	34.38'	1.52'	1,697,463.0947	1,686,245.8531	1,697,479.3383	1,686,239.7097	1,697,496.7032	1,686,239.4768	1,697,498.0275	1,686,338.2179
FC134	18" 00' 00" RT	2.75'	—	8.64'	—	1,697,674.7004	1,686,237.0894	—	—	1,697,674.7780	1,686,242.5889	1,697,674.7392	1,686,239.8392
FC135	27' 44' 55" RT	101.25'	25.01'	49.04'	3.04'	1,697,474.6773	1,686,256.9175	1,697,496.6517	1,686,244.9780	1,697,521.6580	1,686,244.6426	1,697,523.0159	1,686,345.8835
FC136	27' 44' 55" LT	98.75'	24.39'	47.82'	2.97'	1,697,428.8566	1,686,268.8893	1,697,453.2455	1,686,268.5622	1,697,474.6773	1,686,256.9175	1,697,427.5323	1,686,170.1482
FC139	18" 00' 00" RT	8.25'	—	25.92'	—	1,697,757.0772	1,686,264.4871	—	—	1,697,756.8559	1,686,247.9886	1,697,756.9665	1,686,256.2379
FC140	14' 04' 12" LT	201.25'	24.83'	49.42'	1.53'	1,697,916.8415	1,686,245.8428	1,697,941.6742	1,686,245.5098	1,697,965.6810	1,686,239.1497	1,697,914.1425	1,686,044.6109
FC141	14' 04' 12" RT	198.75'	24.53'	48.81'	1.51'	1,697,965.6810	1,686,239.1497	1,697,989.3895	1,686,232.8687	1,698,013.9138	1,686,232.5398	1,698,016.5792	1,686,431.2719

No.	Revision	By	Date
GREENWICH ROAD COORDINATE GEOMETRY PLAN STA. 71+00 TO 84+00 JAMES L. ARMOUR, P.E.—CITY ENGINEER CITY OF WICHITA PROJECT NO. 472-84004 Professional Engineering Consultants, P.A. 303 S. TOPEKA • WICHITA, KANSAS 67202 316-262-2691 • FAX 316-262-3003			
Designed by	JPM, JGP	Job No.	04219
Drawn by	JGP, RJM	Date	AUGUST, 2004
			Sht. 24 of 215