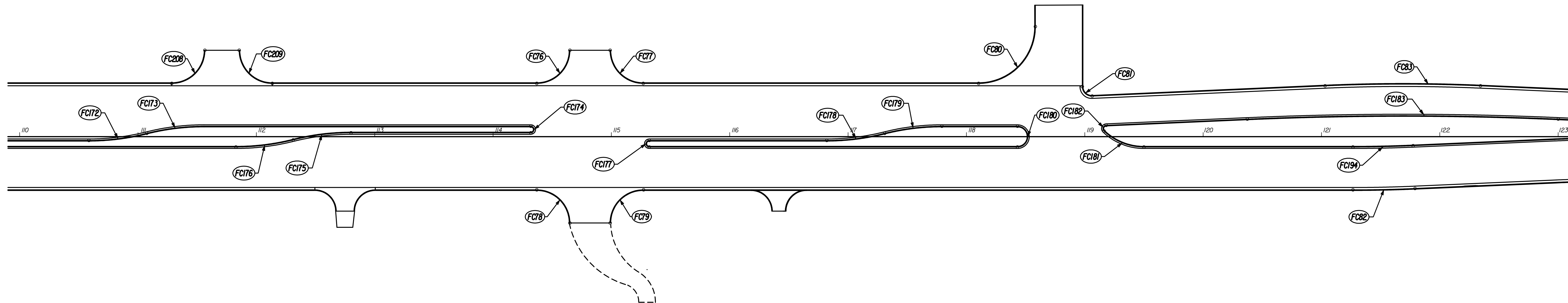
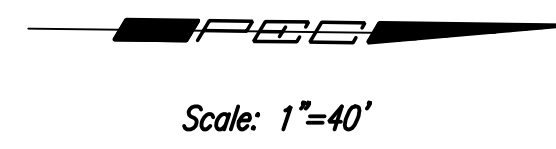


DSNR: OPER: JGP SCALE: 1"=40'
 I:/2004/04219/COORD11000.DGN 8-22-2005 13:10:39 LAST REV: 8-22-20025 BY: RJM

NO.	Δ	R	T	L	E	CURVE DATA							
						P.C. COORDINATES		P.I. COORDINATES		P.T. COORDINATES		C.C. COORDINATES	
						NORTH	EAST	NORTH	EAST	NORTH	EAST	NORTH	EAST
FC76	90°00'00" LT	28.00'	28.00'	43.98'	11.60'	1,701,230.8663	1,686,154.3093	1,701,258.8641	1,686,153.9566	1,701,258.5113	1,686,125.9588	1,701,230.5136	1,686,126.3115
FC77	90°00'00" LT	28.00'	28.00'	43.98'	11.60'	1,701,292.5086	1,686,125.5305	1,701,292.8614	1,686,153.5283	1,701,320.8591	1,686,153.1755	1,701,230.5064	1,686,125.1778
FC78	90°00'00" RT	28.00'	28.00'	43.98'	11.60'	1,701,232.0000	1,686,244.3022	1,701,259.9978	1,686,243.9494	1,701,280.3505	1,686,271.9472	1,701,232.3528	1,686,272.2999
FC79	90°00'00" RT	28.00'	28.00'	43.98'	11.60'	1,701,294.3478	1,686,271.5189	1,701,293.9951	1,686,243.5211	1,701,321.9929	1,686,243.1684	1,701,322.3456	1,686,271.1662
FC80	90°00'00" LT	48.00'	48.00'	75.40'	19.88'	1,701,604.1414	1,686,149.6067	1,701,652.1376	1,686,149.0020	1,701,651.5330	1,686,101.0058	1,701,603.5368	1,686,101.6105
FC81	92°31'10" LT	8.00'	8.38'	12.92'	3.57'	1,701,691.9689	1,686,151.2314	1,701,691.9742	1,686,159.5905	1,701,700.3206	1,686,159.1178	1,701,699.8682	1,686,151.1306
FC82	2°30'00" LT	1,202.00'	26.23'	52.45'	0.29'	1,701,921.6005	1,686,235.6144	1,701,947.8262	1,686,235.2840	1,701,974.0125	1,686,233.8099	1,701,906.4586	1,685,033.7098
FC83	5°01'10" RT	1,500.00'	65.75'	131.41'	1.44'	1,701,896.9251	1,686,147.9842	1,701,962.5656	1,686,144.2669	1,702,028.2797	1,686,146.3071	1,701,981.7337	1,687,645.5847
FC172	14°04'12" LT	201.25'	24.84'	49.42'	1.53'	1,700,853.0860	1,686,207.3225	1,700,877.9189	1,686,207.0097	1,700,901.9309	1,686,200.6692	1,700,850.5507	1,686,006.0885
FC173	14°04'12" RT	198.75'	24.53'	48.81'	1.51'	1,700,901.9309	1,686,200.6692	1,700,925.6446	1,686,194.4074	1,700,950.1691	1,686,194.0985	1,700,952.6728	1,686,392.8327
FC174	180°00'00" RT	2.75'	—	8.64'	—	1,701,226.3052	1,686,190.6196	—	—	1,701,226.3744	1,686,196.1192	1,701,226.3398	1,686,193.3694
FC175	14°04'12" LT	201.25'	24.84'	49.42'	1.53'	1,701,074.4865	1,686,198.0327	1,701,049.6535	1,686,198.3456	1,701,025.6416	1,686,204.6861	1,701,077.0217	1,686,399.2668
FC176	14°04'12" RT	198.75'	24.53'	48.81'	1.51'	1,701,025.6416	1,686,204.6861	1,701,001.9279	1,686,210.9478	1,700,977.4034	1,686,211.2568	1,700,974.8997	1,686,012.5225
FC177	180°00'00" RT	2.75'	—	8.64'	—	1,701,326.6177	1,686,206.8573	—	—	1,701,326.5484	1,686,201.3577	1,701,326.5830	1,686,204.1075
FC178	14°04'12" LT	201.25'	24.85'	49.42'	1.53'	1,701,476.5365	1,686,199.4681	1,701,501.3695	1,686,199.1552	1,701,525.3814	1,686,192.8148	1,701,474.0013	1,685,998.2341
FC179	14°04'12" RT	198.75'	24.53'	48.81'	1.51'	1,701,525.3814	1,686,192.8148	1,701,549.0951	1,686,186.5530	1,701,573.6196	1,686,186.2441	1,701,576.1233	1,686,384.9783
FC180	180°00'00" RT	8.75'	—	27.49'	—	1,701,637.4725	1,686,185.4396	—	—	1,701,637.6930	1,686,202.9382	1,701,637.5828	1,686,194.1889
FC181	43°45'21" LT	48.75'	19.58'	37.23'	3.78'	1,701,710.6829	1,686,188.4794	1,701,724.9917	1,686,201.8384	1,701,744.5656	1,686,201.5918	1,701,743.9515	1,686,152.8457
FC182	133°50'22" RT	2.75'	6.45'	6.42'	4.26'	1,701,710.6829	1,686,188.4794	1,701,705.9658	1,686,184.0754	1,701,712.4096	1,686,183.7234	1,701,712.5596	1,686,186.4693
FC183	5°01'10" RT	3,000.00'	131.49'	262.81'	2.88'	1,701,831.6072	1,686,176.9735	1,701,962.8883	1,686,169.5391	1,702,094.3164	1,686,173.6194	1,702,001.2245	1,689,172.1747
FC194	2°30'00" LT	1,165.75'	25.44'	50.87'	0.28'	1,701,921.1439	1,686,199.3673	1,701,946.5786	1,686,199.0468	1,701,971.9752	1,686,197.6172	1,701,906.4586	1,685,033.7098
FC208	90°00'00" LT	28.00'	28.00'	43.98'	11.60'	1,700,922.4726	1,686,158.1945	1,700,950.4704	1,686,157.8418	1,700,950.1176	1,686,129.8440	1,700,922.1199	1,686,130.1967
FC209	90°00'00" LT	28.00'	28.00'	43.98'	11.60'	1,700,979.1153	1,686,129.4787	1,700,979.4681	1,686,157.4765	1,701,007.4658	1,686,157.1238	1,701,007.1131	1,686,129.1260

CONTROL POINTS					
POINT NO.	NORTH COORDINATE	EAST COORDINATE	STATION	OFFSET	DESCRIPTION
113	1,701,059.0693	1,686,222.7874	112+64.27	21.31' Rf	P/K NAIL & SHINER
114	1,701,578.9617	1,686,125.6951	117+85.35	69.23' Lt	P/K NAIL & SHINER
115	1,702,017.5967	1,686,225.0074	122+22.70	35.60' Rf	P/K NAIL & SHINER



No.	Revision	By	Date
GREENWICH ROAD COORDINATE GEOMETRY PLAN STA. 110+00 TO 123+00 JAMES L. ARMOUR, P.E.—CITY ENGINEER CITY OF WICHITA PROJECT NO. 472-84004 Professional Engineering Consultants, P.A. 303 S. TOPEKA • WICHITA, KANSAS 67202 316-262-2691 • FAX 316-262-3003			
Designed by	JPM, JGP	Job No.	04219
Drawn by	JGP, RJM	Date	AUGUST, 2004
			Sht. 27 of 215