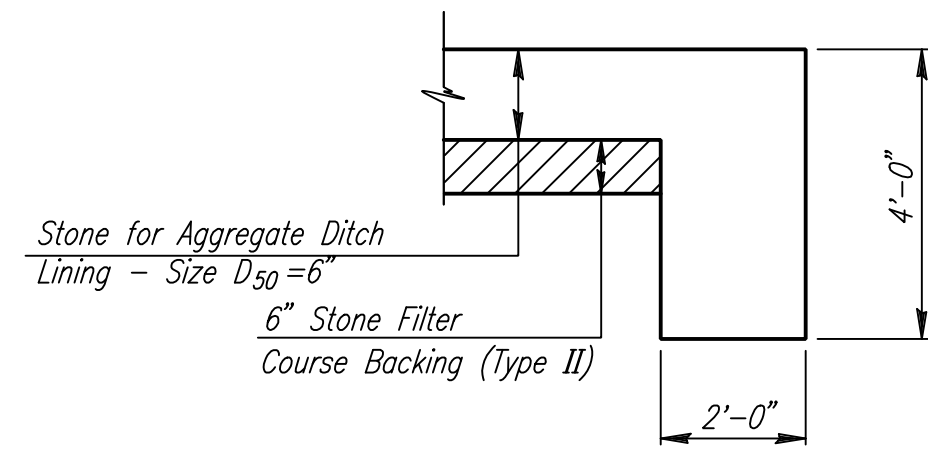


DSNR: OPER: JGP SCALE: 1:/2004/04219/SWS LINE 7 1.DGN 8-22-2005 15:09:11 LAST REV: 9-27-2005 BY: RJM



TYPICAL SECTION THRU TOEWALL
NO SCALE

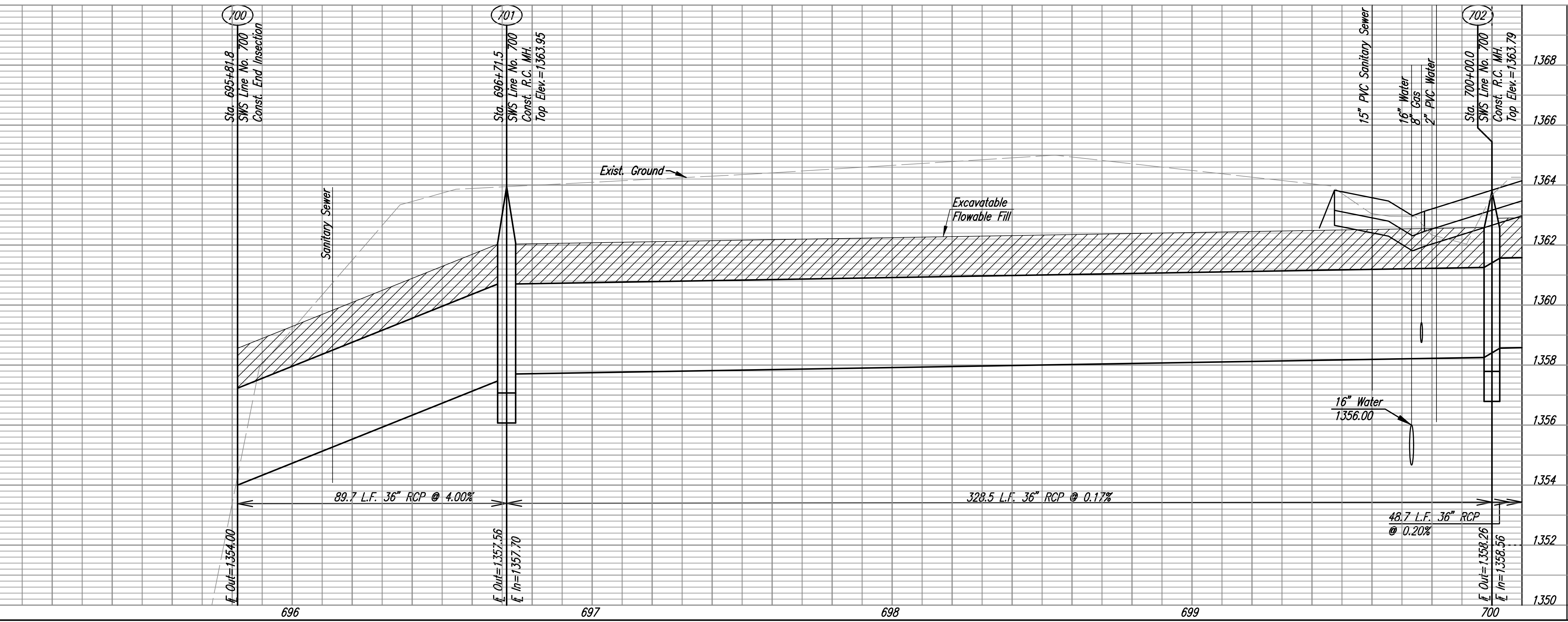
NOTES

- ALL DITCH LINING MATERIAL FOR THIS PROJECT SHALL BE NATURAL STONE. NEITHER BROKEN CONCRETE, FABRIC ENVELOPE, NOR PREMIXED DRY PACKAGED CONCRETE BAG ALTERNATES WILL BE ALLOWED.
- TOEWALLS SHALL BE INSTALLED WHERE SHOWN ON PLANS, AND SHALL BE SUBSIDIARY.

Sta. 695+81.8 SWS Line No. 700=
Sta. 102+65.39, 399.6' Lt. @ Greenwich Rd.
Install 36" R.C. End Section.
Install 48 Sq. Yds. Light Stone Rip Rap
Install 36"x89.7" SWS (RCP) (NE)
See Sh. No. 82.

Sta. 696+71.5 SWS Line No. 700=
Sta. 103+43.3, 355.0' Lt. @ Greenwich Rd.
Construct R.C. Manhole
L=6'-0" W=6'-0"
Install 36"x328.5' SWS (RCP) (E)
See Sh. No. 79.

Sta. 700+00.0 SWS Line No. 700=
Sta. 103+43.3, 26.5' Lt. @ Greenwich Rd.
Construct R.C. Manhole
L=5'-3" W=5'-3"
Install 36"x48.7' SWS (RCP) (N)
See Sh. No. 79.



GREENWICH ROAD
STORM SEWER PLAN
LINE NO. 700

Professional Engineering Consultants, P.A.
JOB: S:\TOPICA\WYCHITA, KANSAS\6202
316-262-2291 • FAX: 316-268-3600

Designed by: ADJ
Drawn by: JGP
Job No. 04219
Date: Sept. 2004
C.O.W. PROJ. NO. 472-84004
Sheet 46 of 215