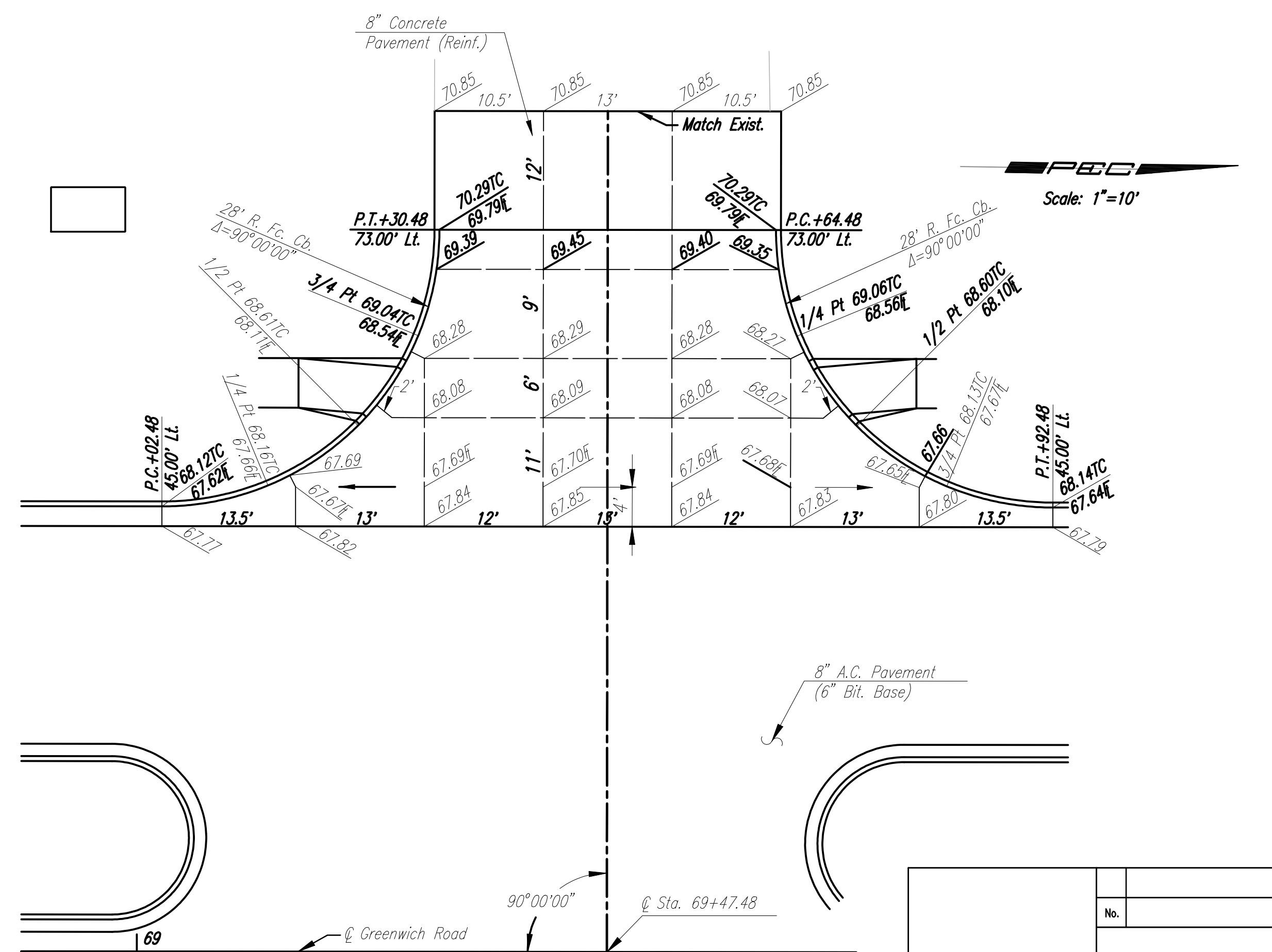
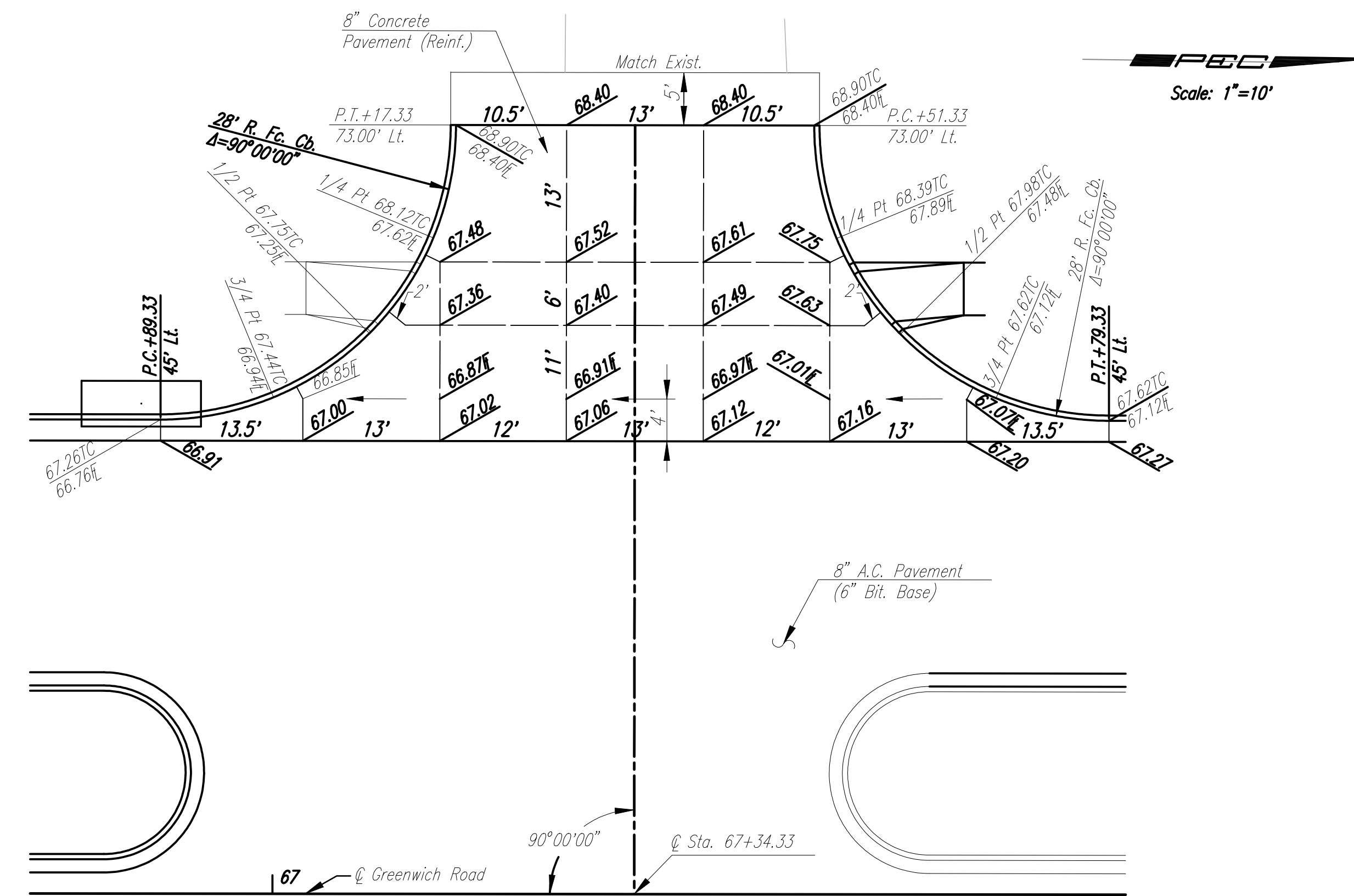
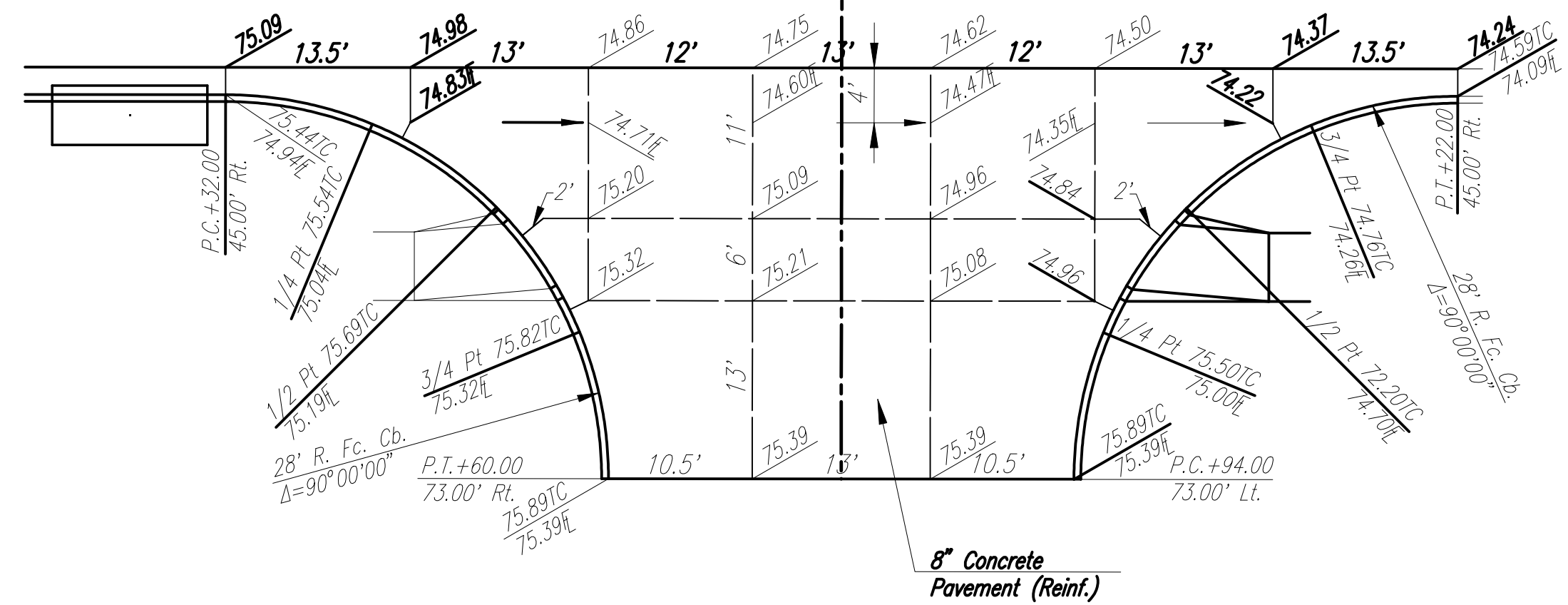
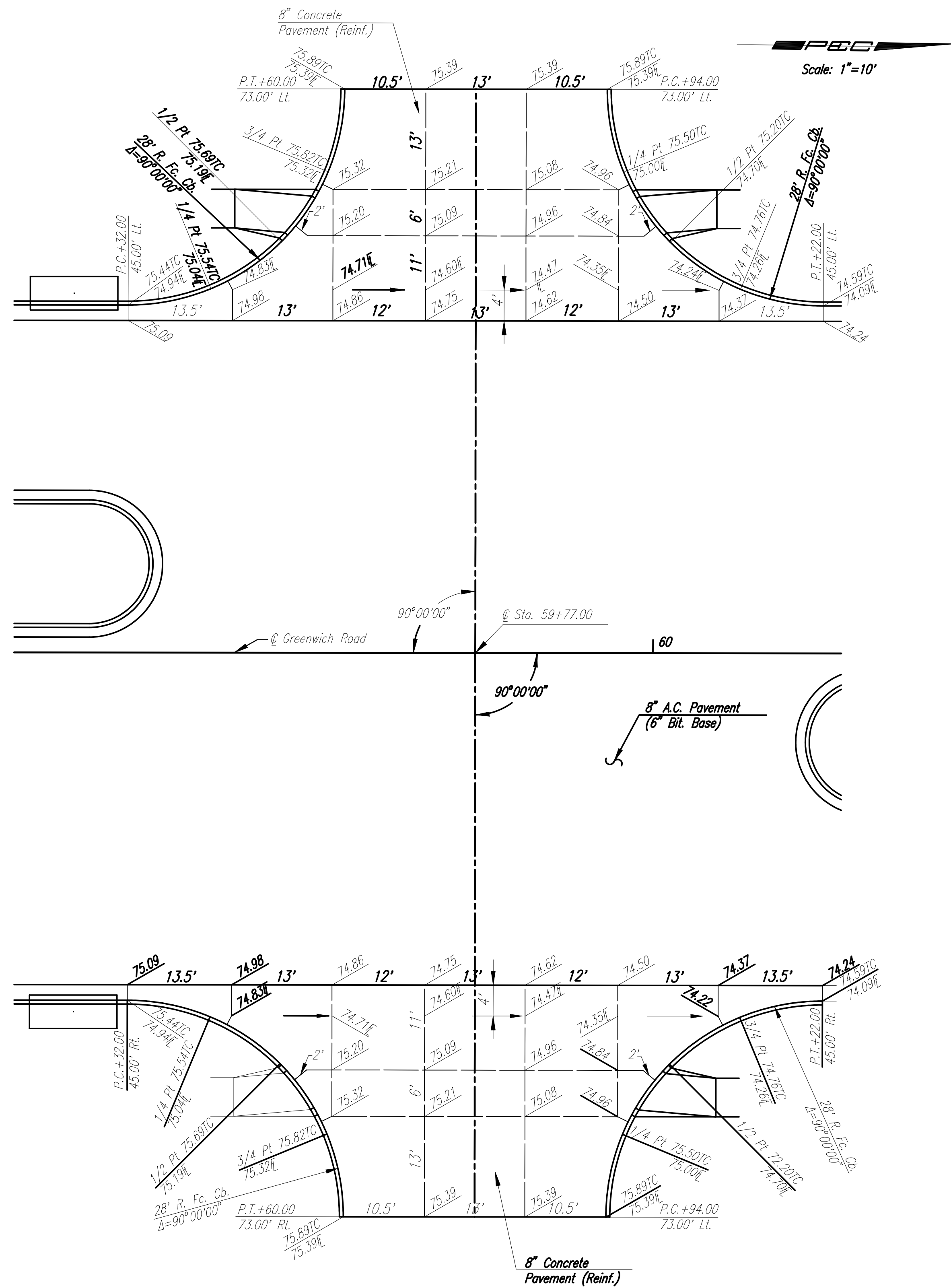
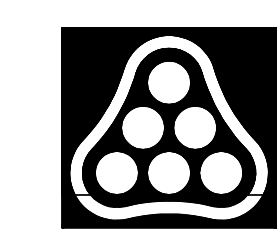


DSNR: OPER: JGP SCALE: 1"=10' DATE: 10-27-2004 16:20:40 LAST REV: 9-27-05 BY: JGP



Scale: 1"=10'

Scale: 1"=10'



No.	Revision	By	Date
<b>GREENWICH ROAD INTERSECTION DETAILS</b> JAMES L. ARMOUR, P.E.—CITY ENGINEER CITY OF WICHITA PROJECT NO. 472-84004 <b>Professional Engineering Consultants, P.A.</b> 303 S. TOPEKA • WICHITA, KANSAS 67202 316-262-2691 • FAX 316-262-3003			
Designed by	JPM, JGP	Job No.	04219
Drawn by	JGP, RJM	Date	DECEMBER, 2004