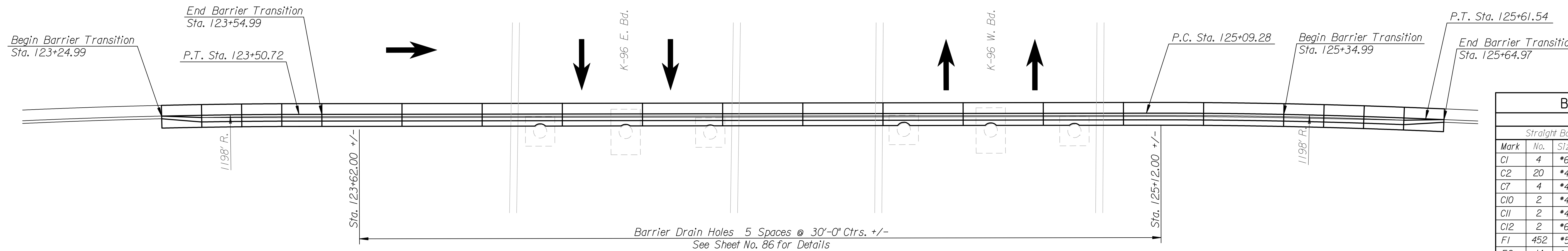


DSNR: OPER: ros SCALE: i:/2004/04219/final/04219-000_C-CSBEAST(EP)(V8).DGN 8-13-2005 15:23:42 LAST REV: 9-27-2005 BY: RAS

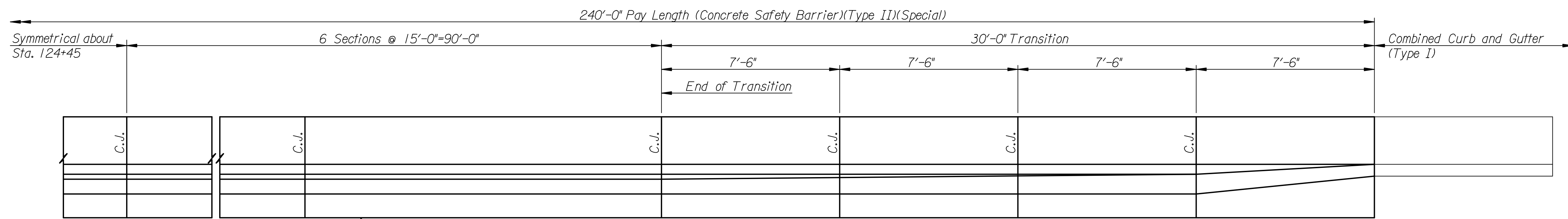


AREA PLAN

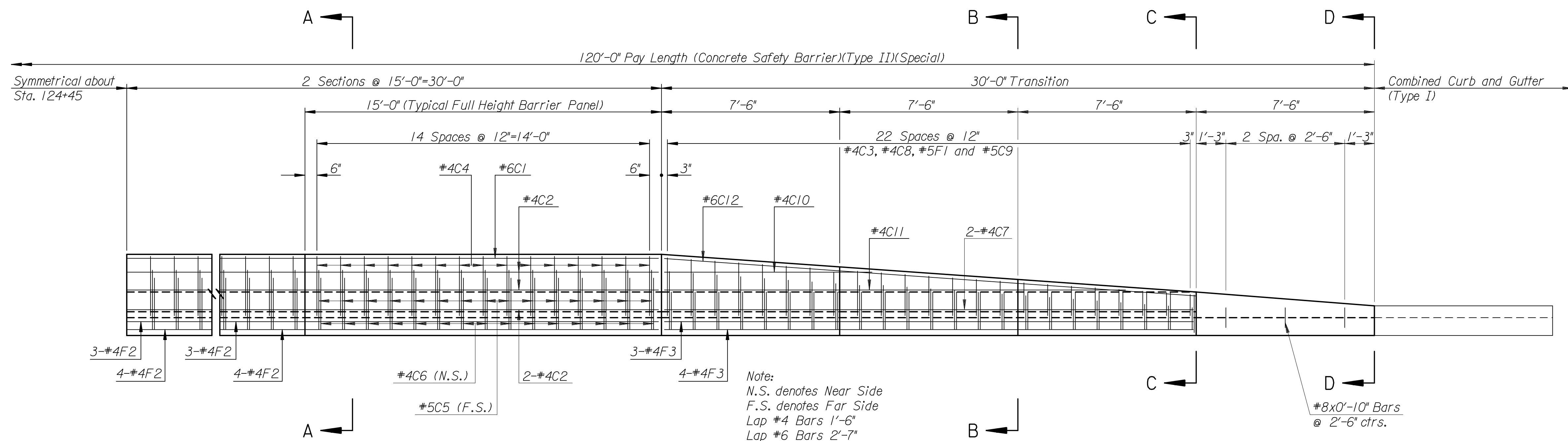
BILL OF MATERIALS							
REINFORCING STEEL							
Straight Bars				Bent Bars			
Mark	No.	Size	Length	Mark	No.	Size	Length
C1	4	*6	46'-11"	C3	46	*4	2'-7"
C2	20	*4	37'-2"	C4	180	*4	5'-0"
C7	4	*4	22'-2"	C5	180	*5	4'-0"
C10	2	*4	8'-8"	C6	180	*4	3'-2"
C11	2	*4	19'-4"	C8	46	*4	Varies
C12	2	*6	22'-2"	C9	46	*5	Varies
F1	452	*5	3'-11"				
F2	14	*4	22'-2"				
F3	35	*4	37'-0"				

*SUMMARY OF QUANTITIES		
Concrete (Grade 4.0) (AE)	50.0	Cu.Yds.
Reinforcing Steel (Gr.60) (Regular)	5770	Lbs.

*For Information Only (Quantities are for Barrier Only)

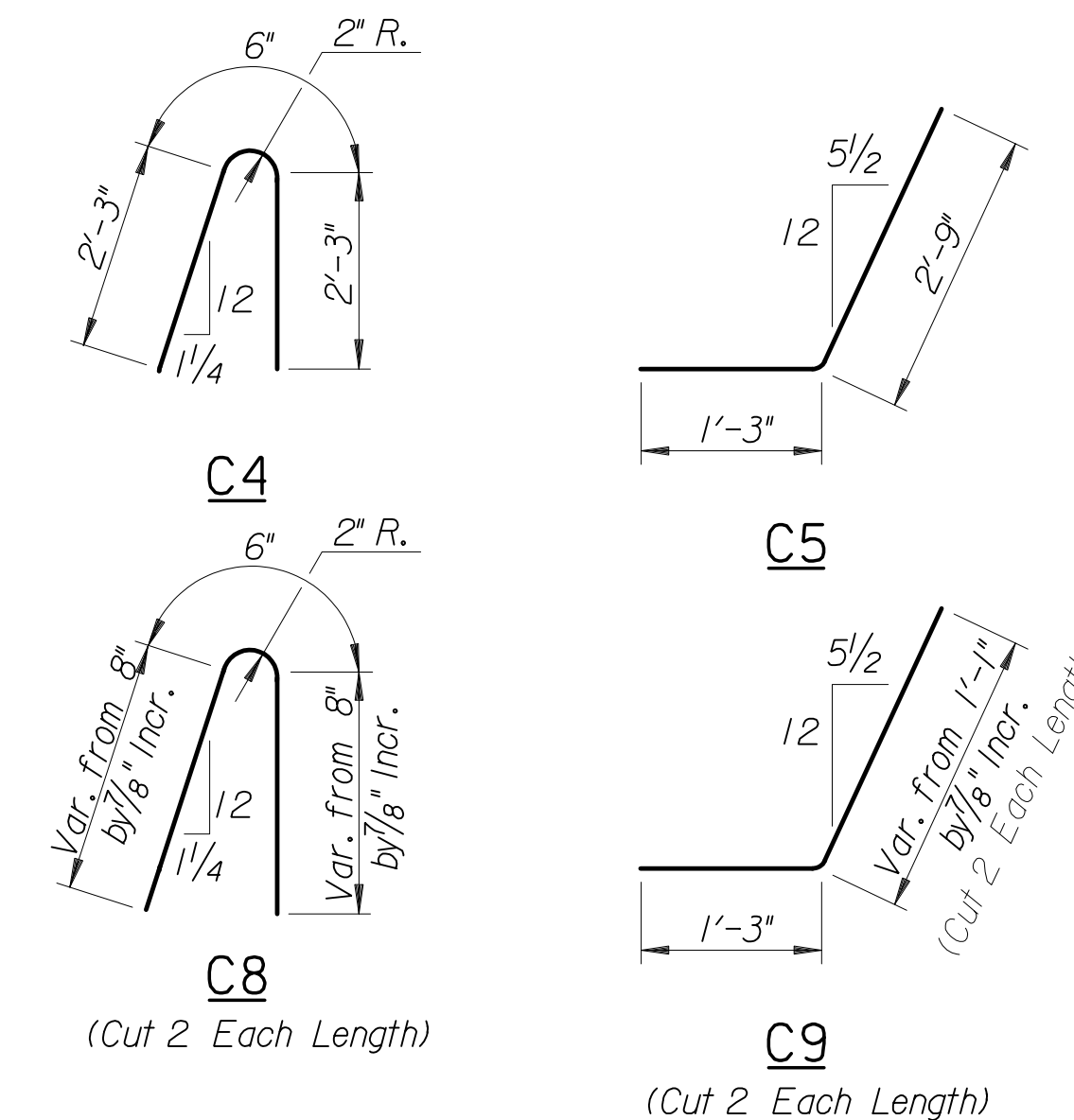


PLAN



ELEVATION

Note: See Sheet No. 86 for Concrete Safety Barrier Sections.



BENDING DIAGRAMS
Dimensions are out to out of bars

No.	Revision	By	Date
GREENWICH ROAD CONCRETE SAFETY BARRIER—EAST STA. 123+25 TO 125+65 JAMES L. ARMOUR, P.E.—CITY ENGINEER CITY OF WICHITA PROJECT NO. 472-84004			
Professional Engineering Consultants, P.A. 303 S. TOPEKA • WICHITA, KANSAS 67202 316-262-2691 • FAX 316-262-3003			
Designed by	RAS	Job No.	04219
Drawn by	DRP	Date	AUGUST 2005
			Sht. 85 of 215