

STATE	PROJECT NO.	YEAR	SHEET NO.	TOTAL SHEETS
KANSAS	472-84004	2005	91	215

**GENERAL NOTES**

**UNIT STRESSES:** Grade 4.0 Concrete;  $f'_c = 4,000$  p.s.i.  
Reinforcing Steel;  $f_y = 60,000$  p.s.i.

**CONCRETE:** Grade 4.0 Concrete shall be used throughout. Bevel all exposed edges with a  $\frac{3}{4}$  inch triangular moulding.

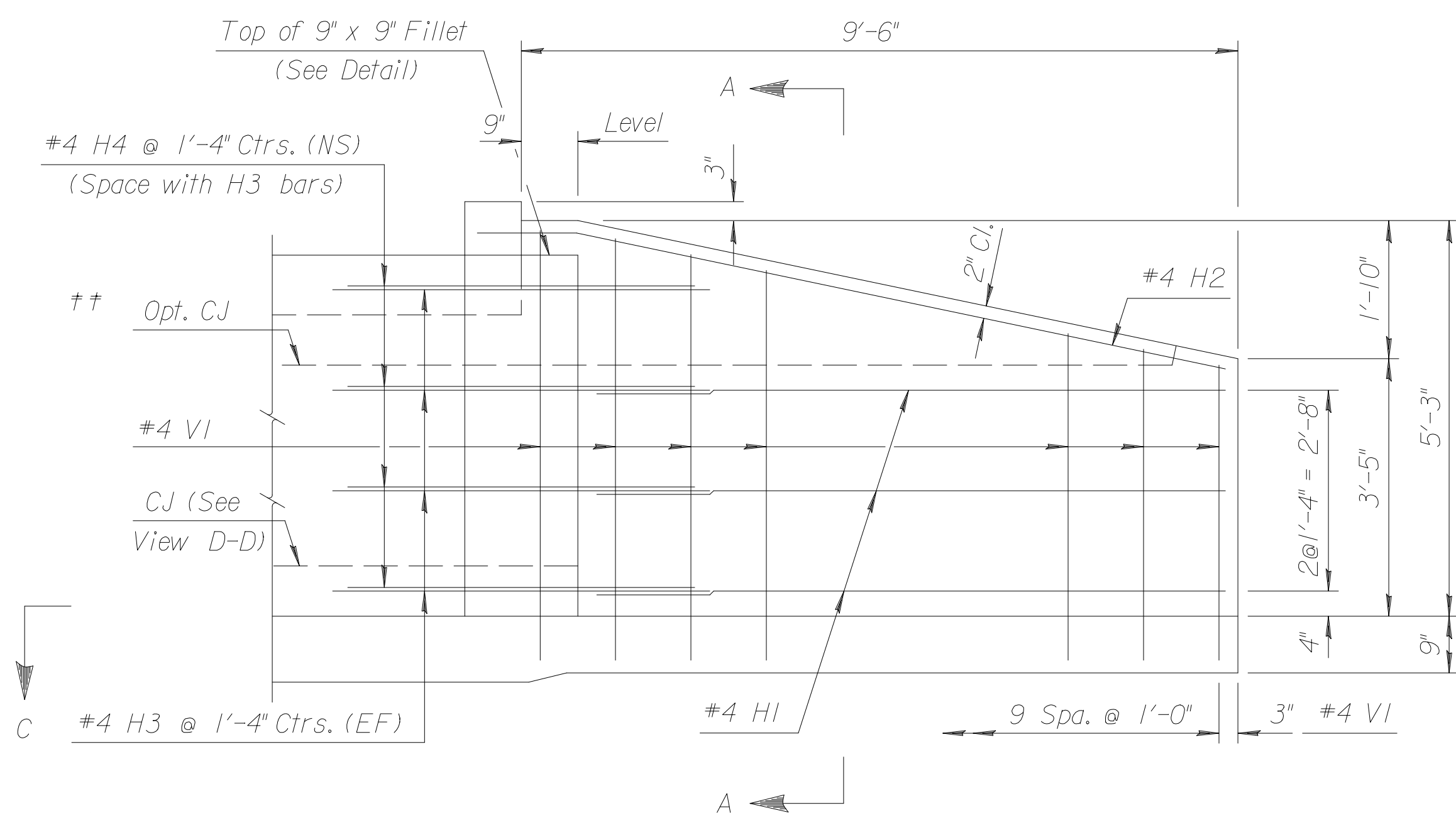
**REINFORCING:** All reinforcing shall conform to ASTM A615, Grade 60. Welded Wire Fabric shall conform to ASTM A185. All dimensions relative to reinforcing steel shall be to center-line of bar unless otherwise noted.

**QUANTITIES:** Wingwall Quantities include all quantities outside the neat lines of the box, excluding the hubguard.

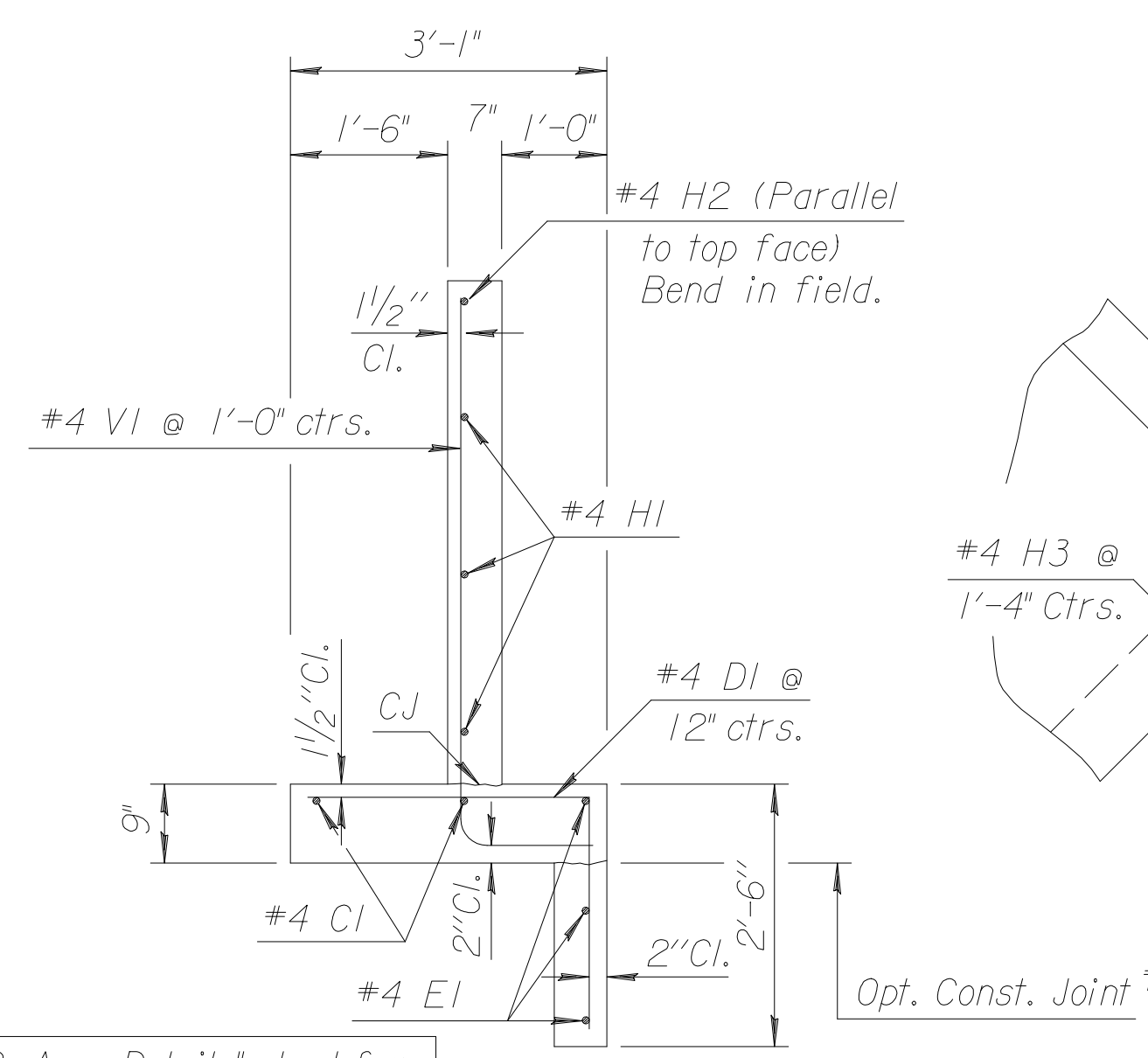
VERSION: 5.1.0 COMPILED: 03/01/95

DESIGN	DATE	CHECK	DATE
REVISIONS	DATE	BY	DATE
TRACING	DATE		
RETRACTED	DATE		

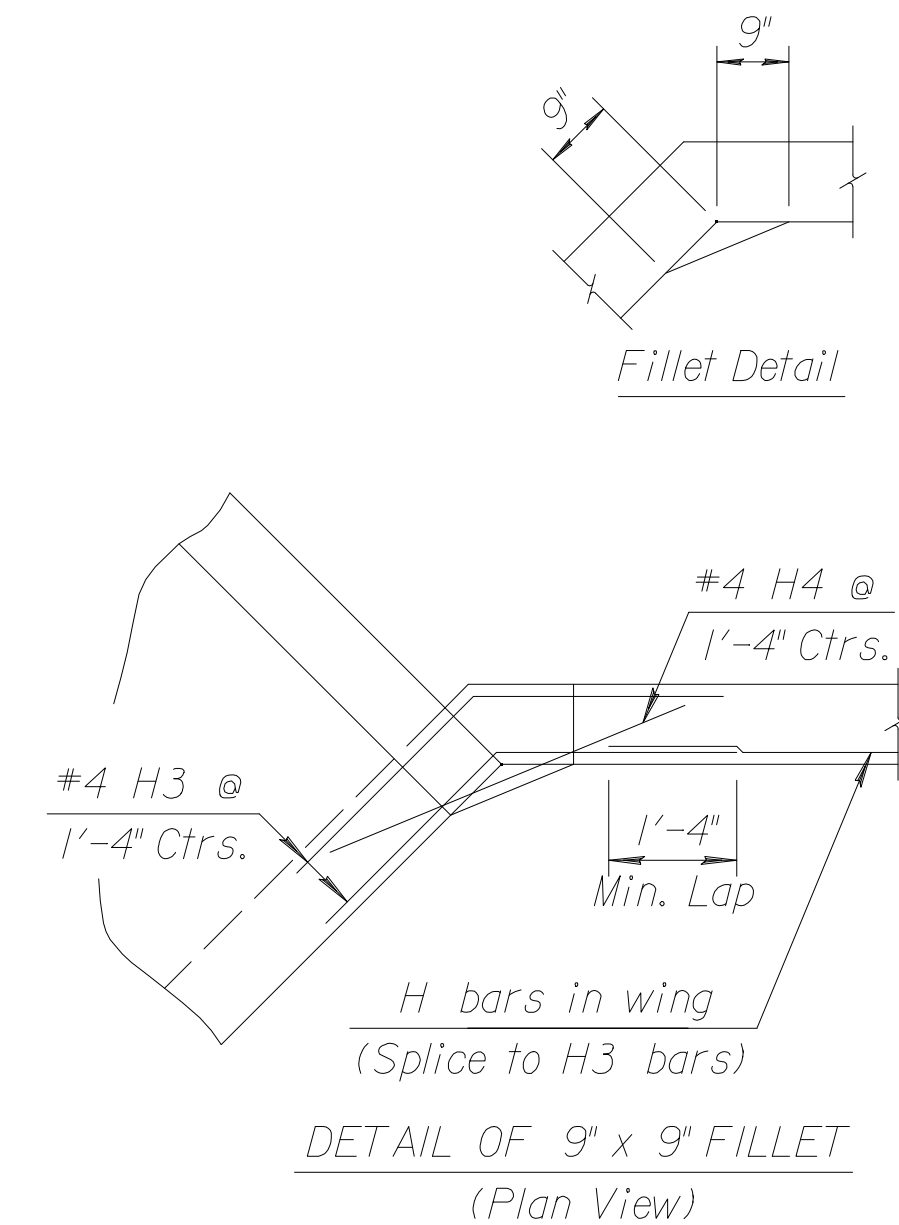
Drawn By: KDOT  
DGN File: \\2004\04219\final\04219-000\_C-4\FE\Wing\WingE(KW7).dgn  
Plotted by: 9-27-2005 View= PLOT10



**ELEVATION OF WINGWALL**  
(Backface Shown)

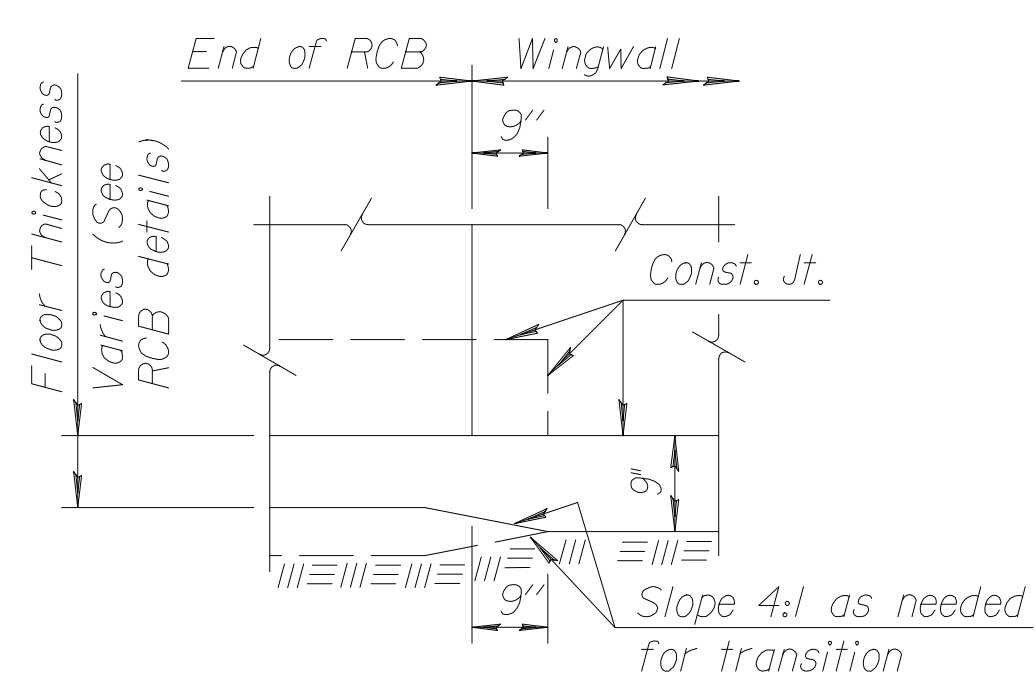


**SECTION A-A**

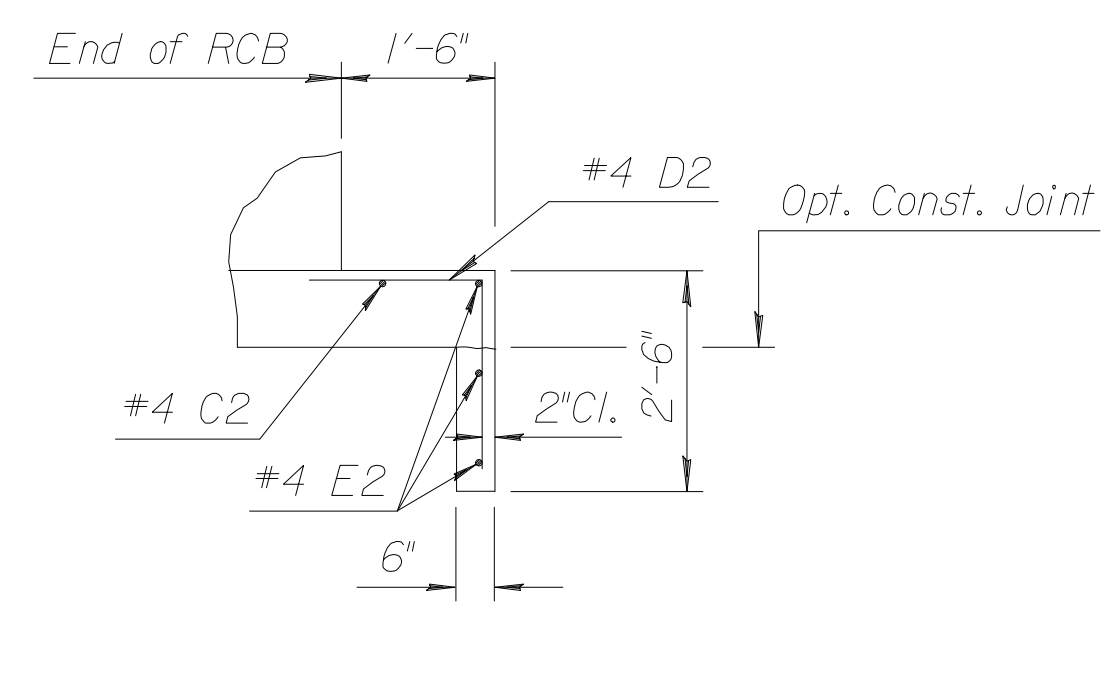


**DETAIL OF 9" x 9" FILLET**  
(Plan View)

† NOTE: Const. Jt. may be used at Contractor's option when approved by the Engineer. D1 bars or mesh may be spliced thus: Minimum overlap shall be 1'-3". No increase in quantities or cost shall be allowed when Contractor elects this option.

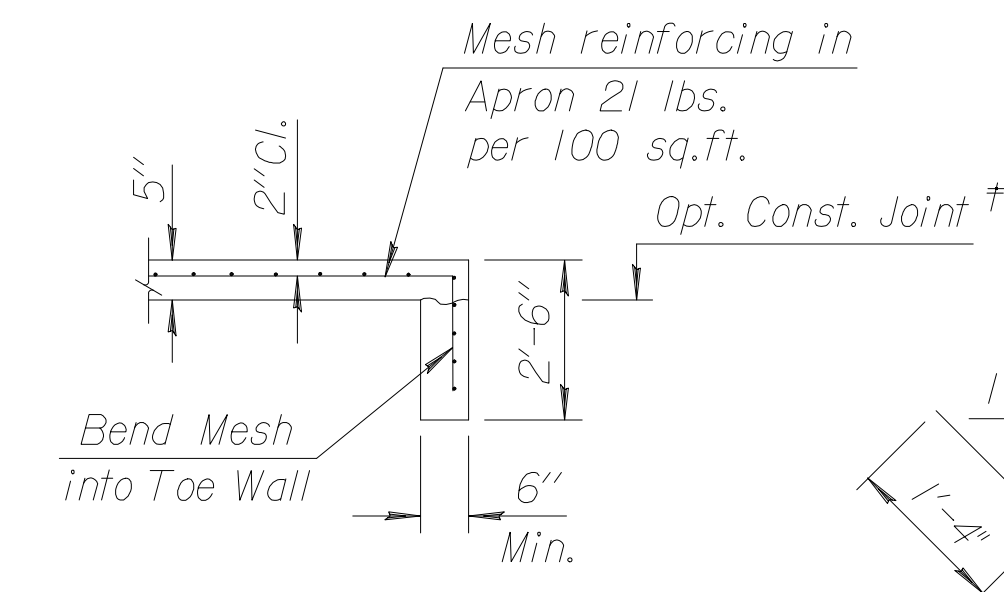


**VIEW D-D**

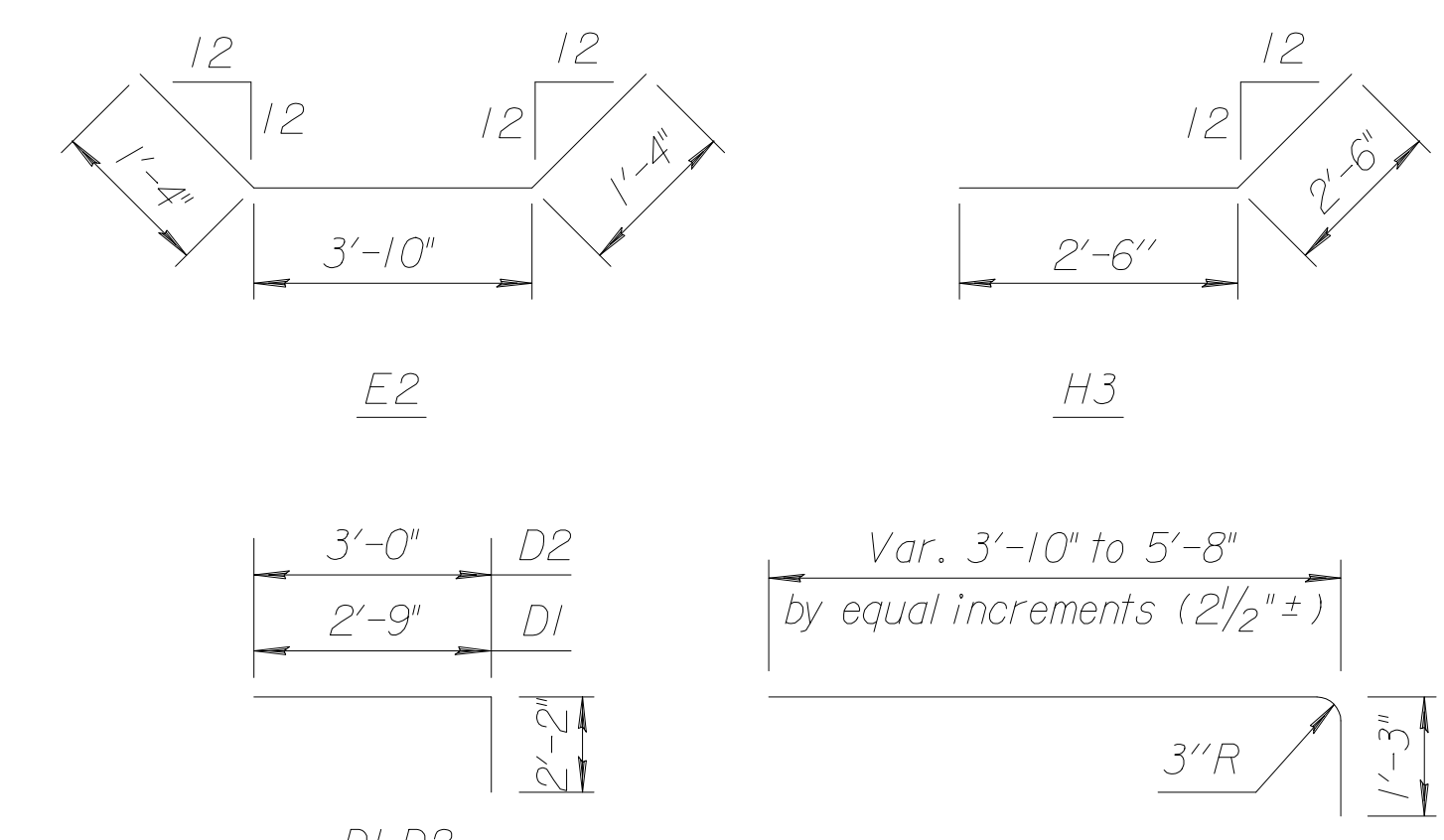


**SECTION E-E**

NOTE:  
EF = Each Face  
NS = Near Side  
FS = Far Side  
CJ = Const. Joint

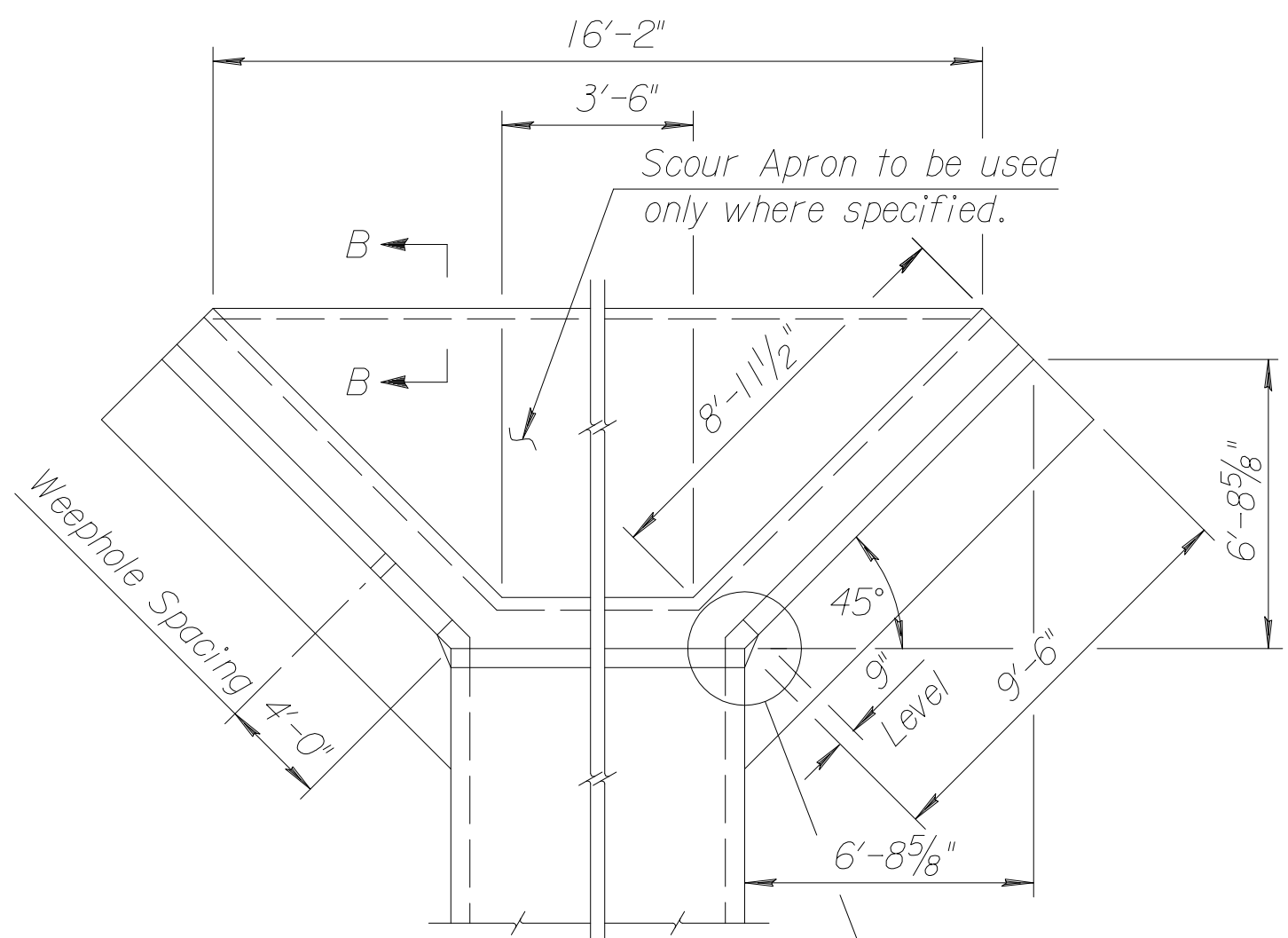


**SECTION B-B**



**BENDING DIAGRAM**

(All dimensions are out to out of bars.)



**WING DIMENSIONS FOR NORMAL BOX**  
(3/2:1 Embankment Slope)

NOTE: Space weepholes to clear reinforcing steel. See "RCB Aux. Details" sheet for additional weephole details.

Quantities listed below are included in the Summary of Quantities shown on the RCB details.

WINGWALL QUANTITIES (One End Only)	
Grade 4.0 Concrete:	
Wingwalls	4.43 CY.
Apron	0.00 CY.
Soil Saver	2.41 CY.
Reinforcing Steel	
	351.03 Lbs.
Welded Wire Fabric	
	0.00 Lbs.

NOTE: Reinforcing Bar List is for both wings at one end of box only.

0° Skew	#											
	No.	#4C1	#4D1	#4E1	#4C2	#4D2	#4E2	#4V1	#4H1	#4H2	#4H3	#4H4
Length	11'-7"	4'-11"	8'-9"	4'-8"	5'-2"	6'-6"	*	8'-4"	10'-3"	5'-0"	3'-6"	

\* See Bending Diagram

**KANSAS DEPARTMENT OF TRANSPORTATION**  
Sta. 72+56.00  
**FLARED WINGWALLS**  
4 FT. RISE (0° SKEW)

STD. NO. 10.00.04 SEDGWICK CO.

DESIGNED	6-5-91	APP'D	KENNETH F. HURST
DESIGN CK.	DETAIL CK.	QUANTITIES	TRACE CK.