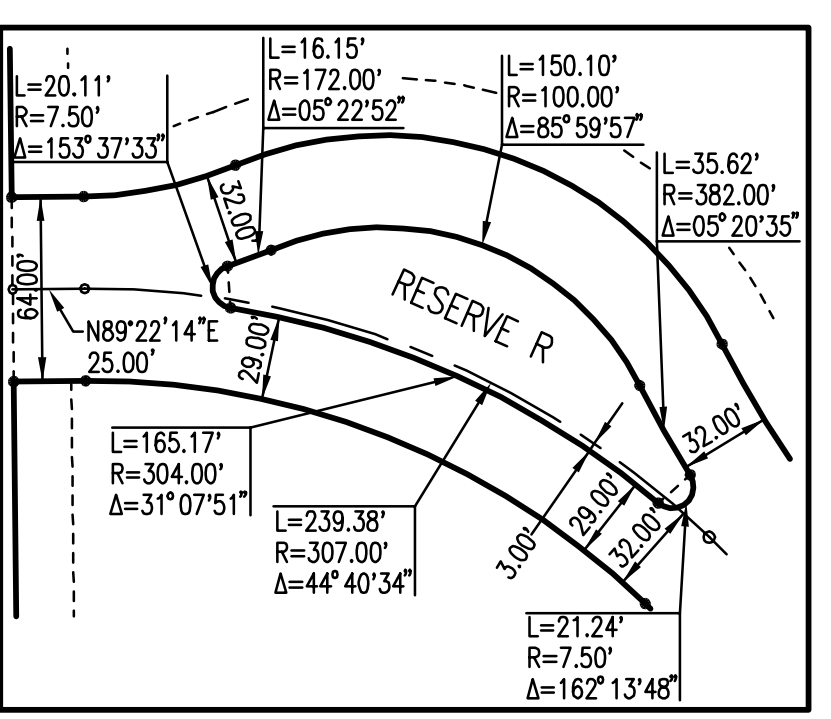
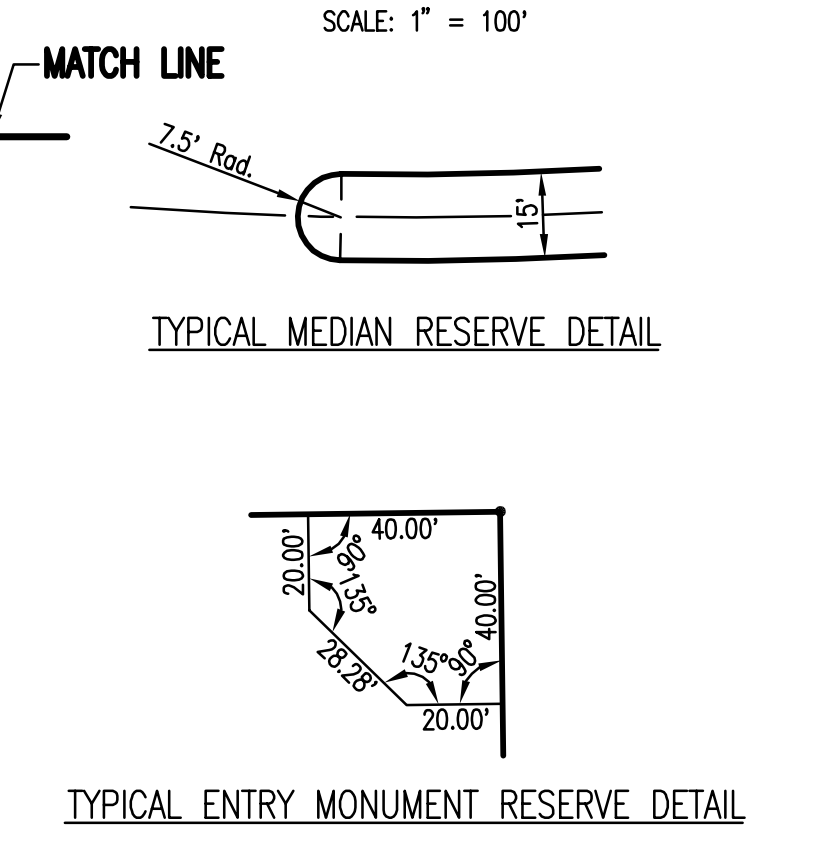
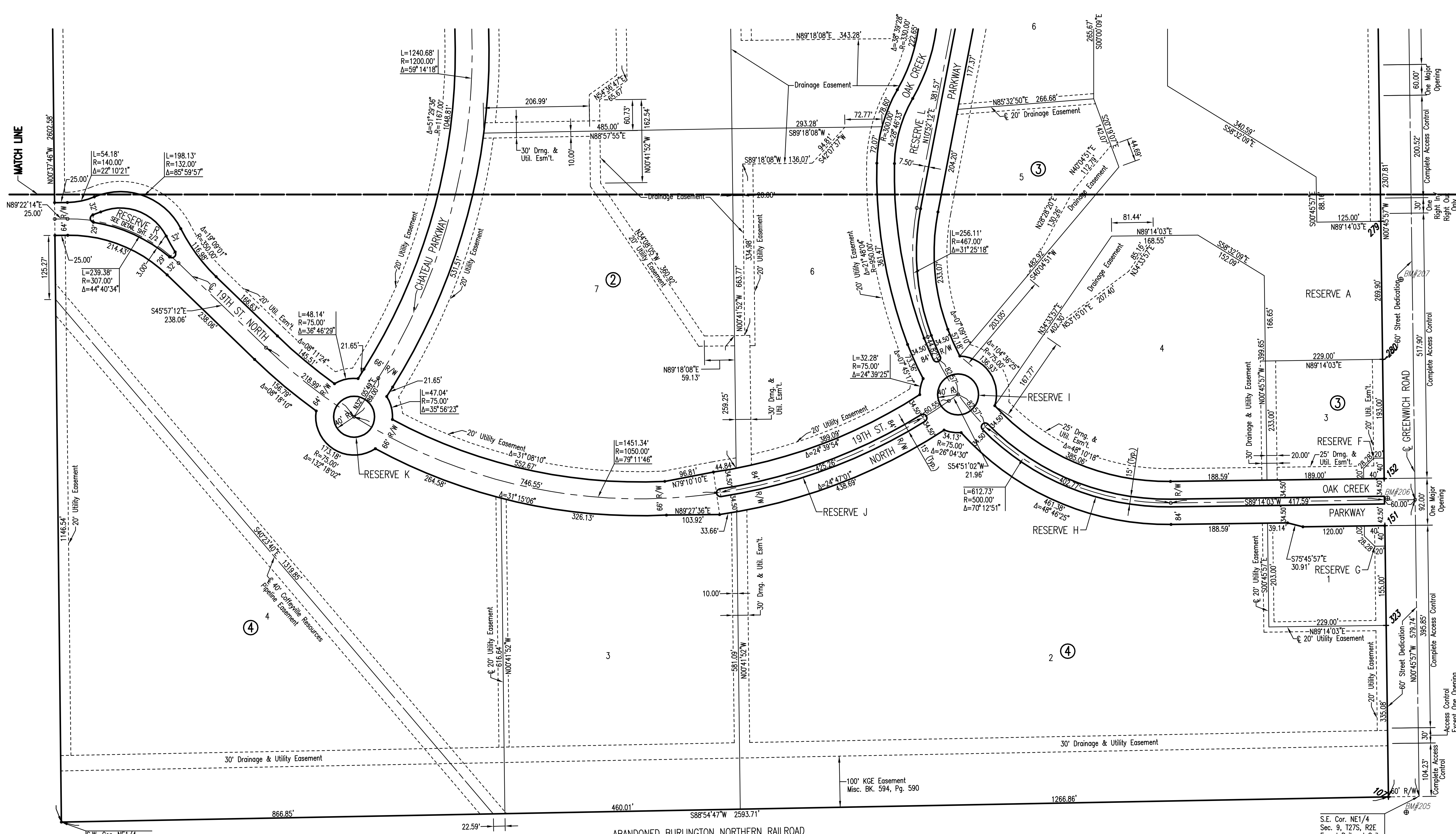


DSNR, MDK OPER: AEE SCALE: 1"=100.00
 C:\2004\04219\001\Oak Creek PLAT2 10-17-2005 02:48:30 pm



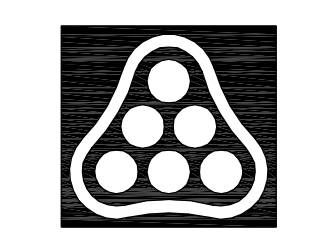
POINT	NORTH	EAST
107	1,697,136.0196	1,686,193.0647
151	1,697,666.0488	1,686,185.9548
152	1,697,758.0405	1,686,184.7208
279	1,698,260.8968	1,686,177.9754
280	1,697,991.0196	1,686,181.5955
323	1,697,471.0663	1,686,188.5703

+107 = COORDINATE POINT NO.

S.W. Cor. NE1/4,
 Sec. 9, T27S, R2E
 Found 1/2" Iron Pipe

ABANDONED BURLINGTON NORTHERN RAILROAD

S.E. Cor. NE1/4
 Sec. 9, T27S, R2E
 Found Railroad Spike



No.	Revision	By	Date
CITY OF WICHITA, KANSAS JAMES L. ARMOUR, P.E. - CITY ENGINEER GREENWICH ROAD WATER SUPPLY LINE PLAT CITY OF WICHITA PROJECT NO. 448-90066 Professional Engineering Consultants, P.A. 303 S. TOPEKA • WICHITA, KANSAS 67202 316-262-2691 • FAX 316-262-3003			
Designed by	MDK	Job No.	35-04219-001
Drawn by		Date	May 2003
			Sht. B13 of 16