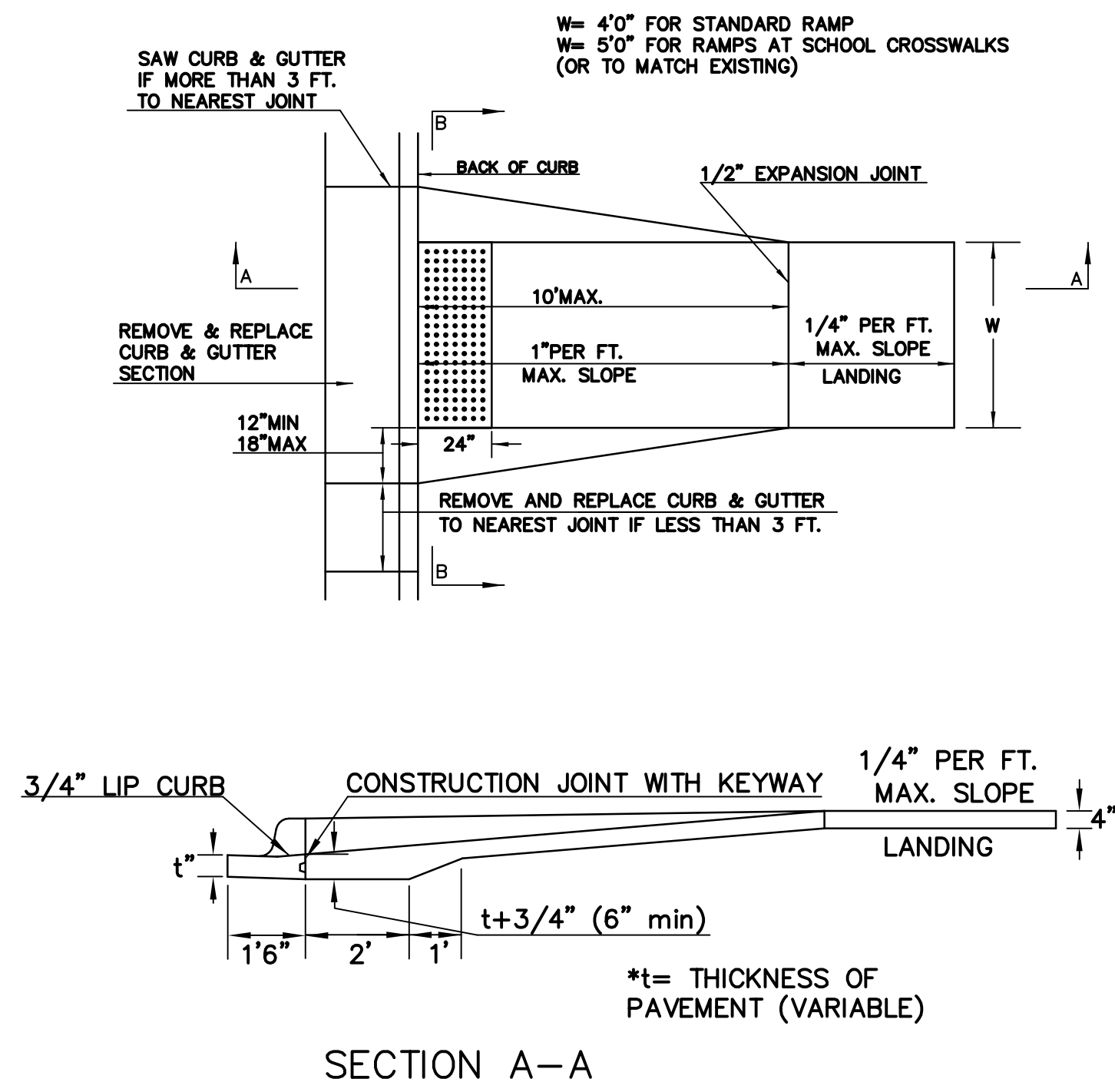
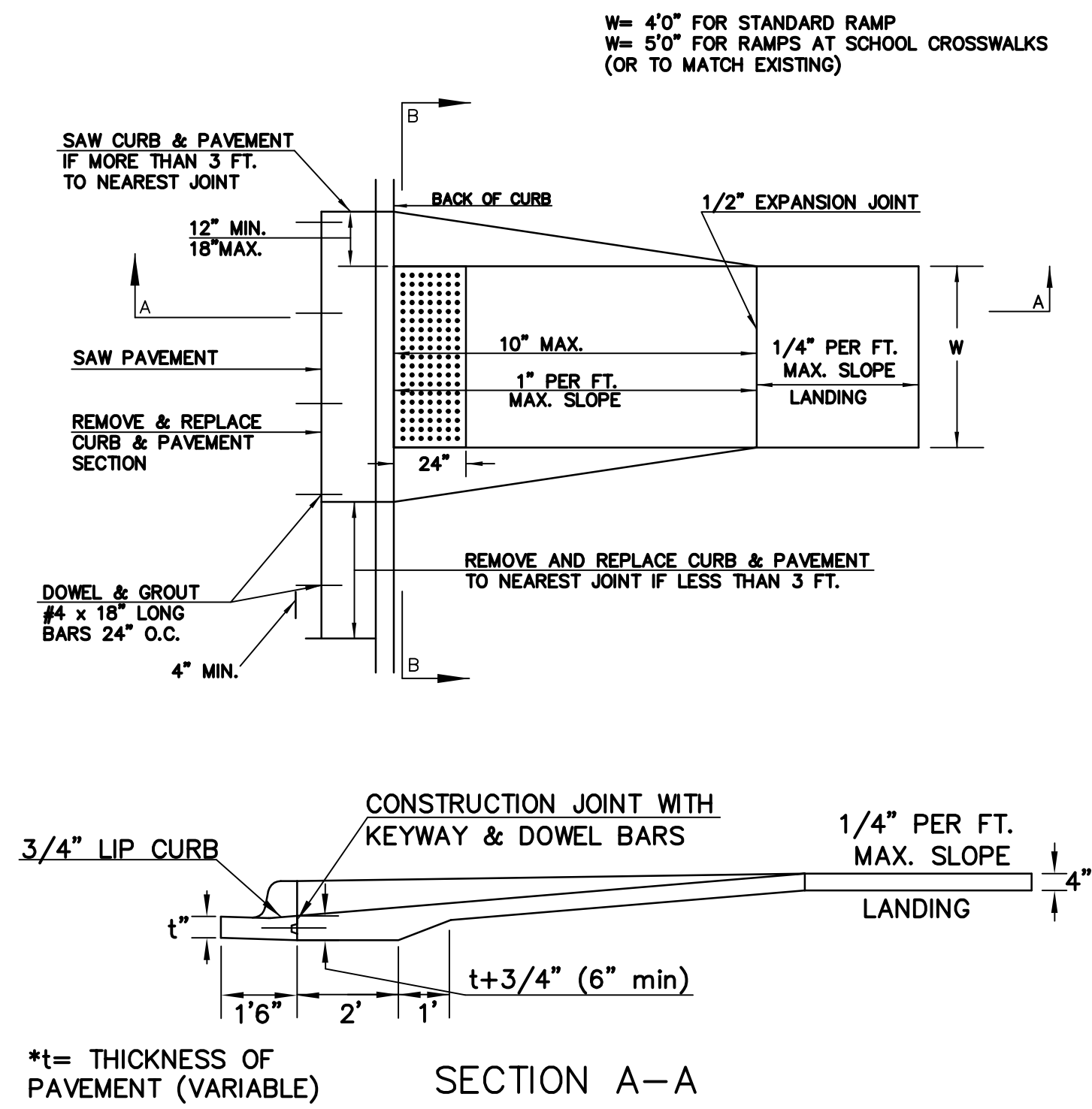


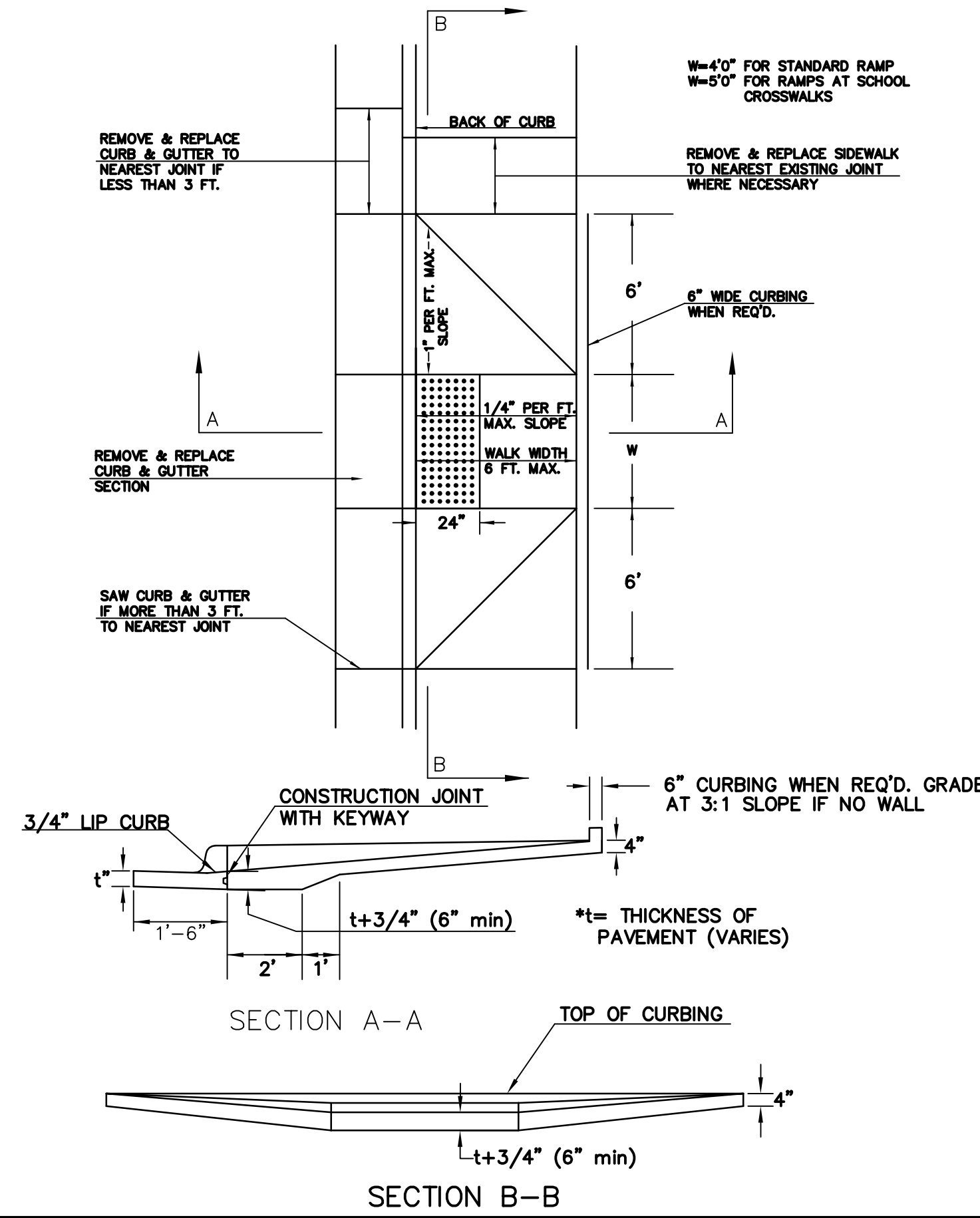
(TYPE A)
STANDARD WHEELCHAIR RAMP
CONSTRUCTION DETAIL FOR STREETS
WITH COMBINED CURB & GUTTER



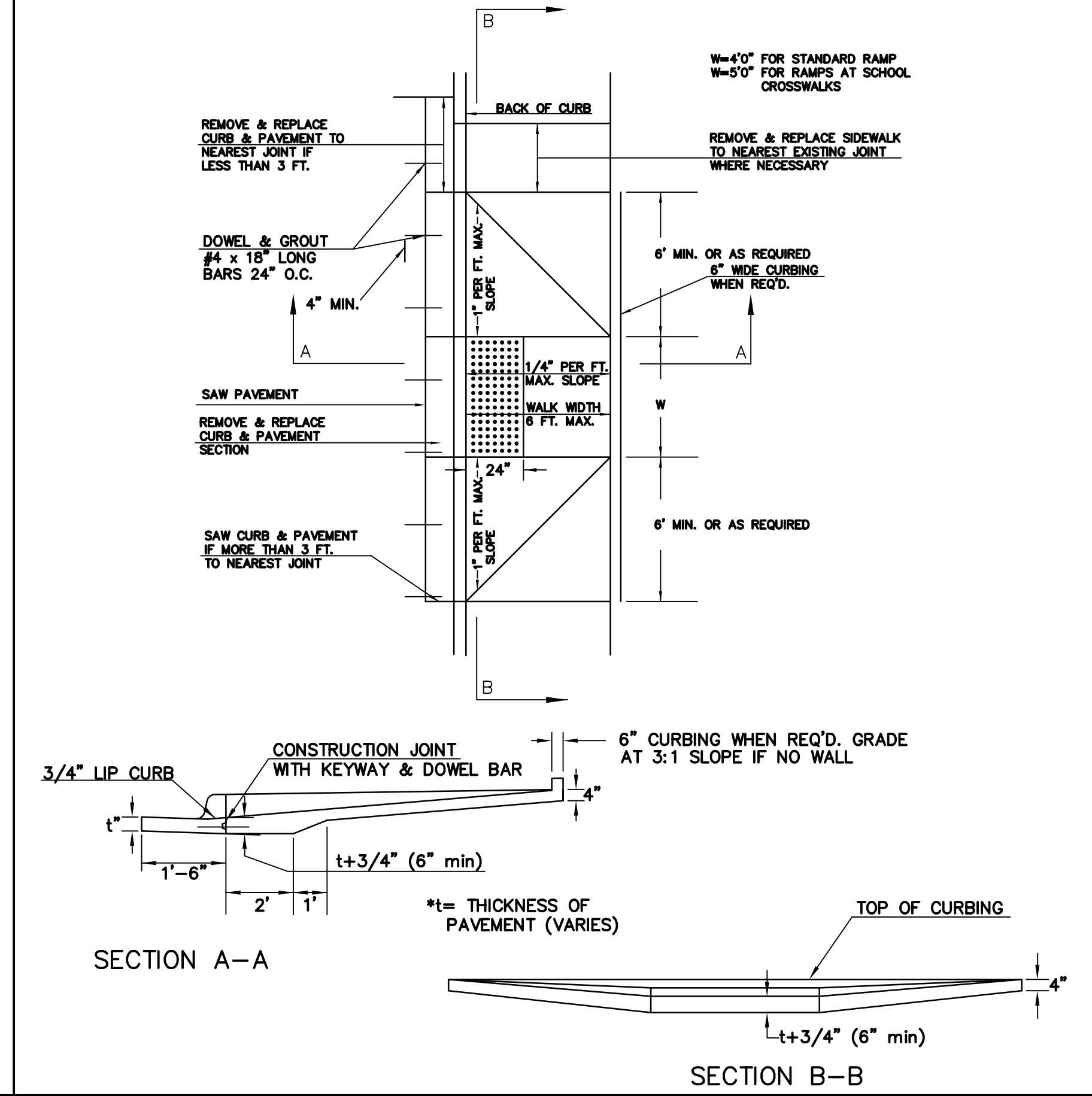
(TYPE A)
STANDARD WHEELCHAIR RAMP CONSTRUCTION DETAIL FOR
CONCRETE STREETS WITH MONOLITHIC CURB



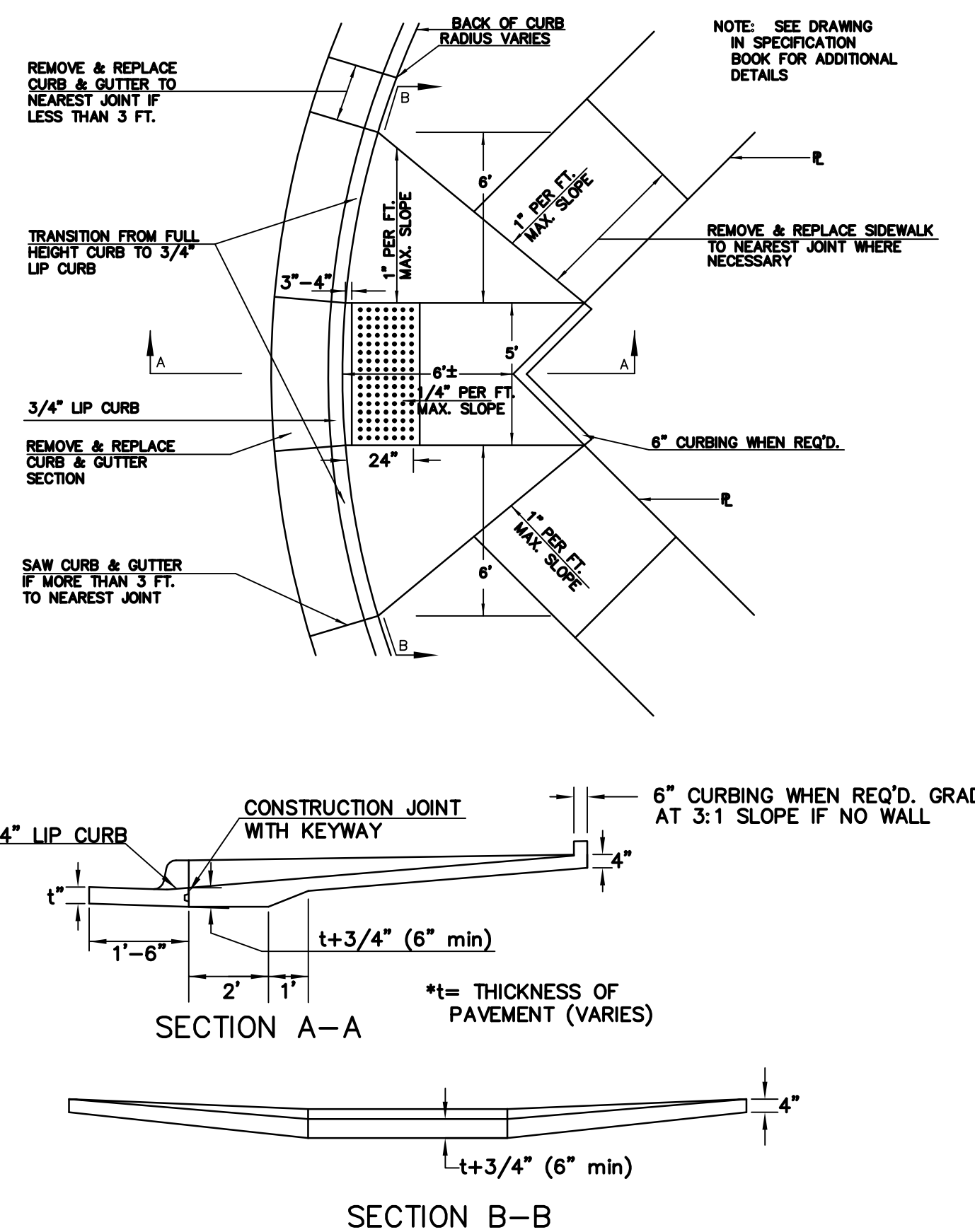
(TYPE B)
STANDARD WHEELCHAIR RAMP CONSTRUCTION DETAIL FOR
STREETS WITH COMBINED CURB & GUTTER AND FULL WALK



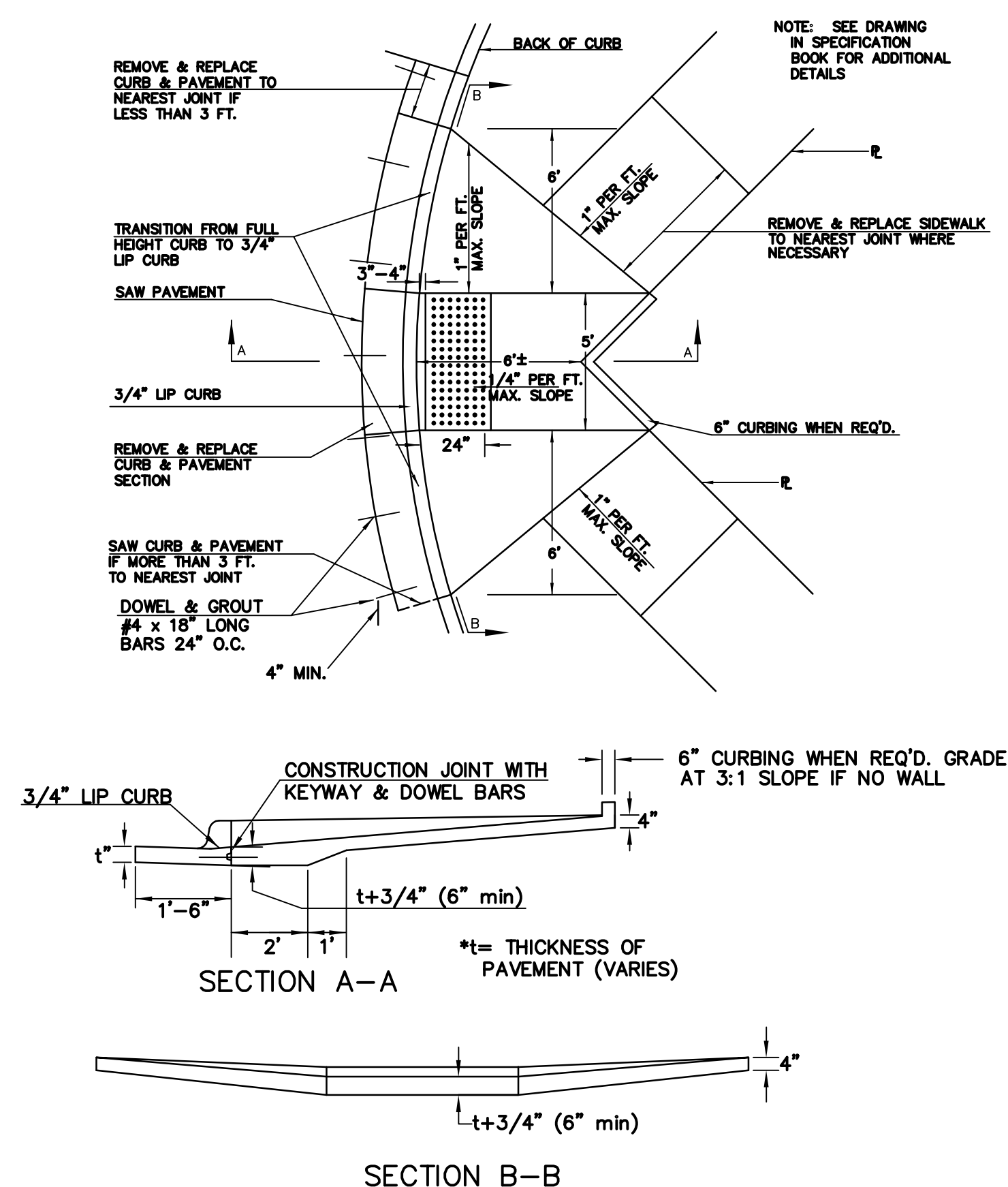
(TYPE B)
STANDARD WHEELCHAIR RAMP CONSTRUCTION DETAIL FOR
STREETS WITH MONOLITHIC CURB AND FULL WALK



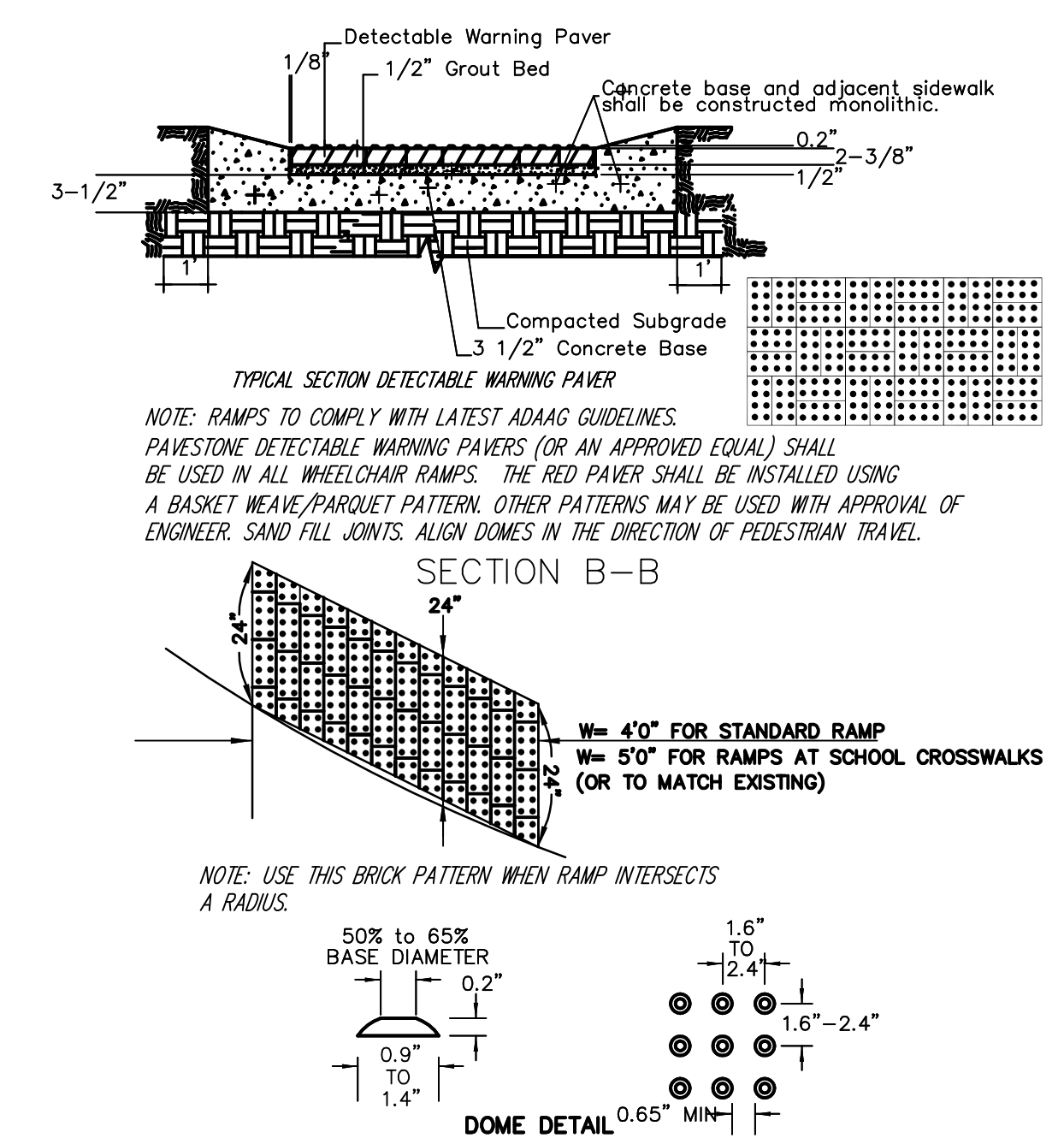
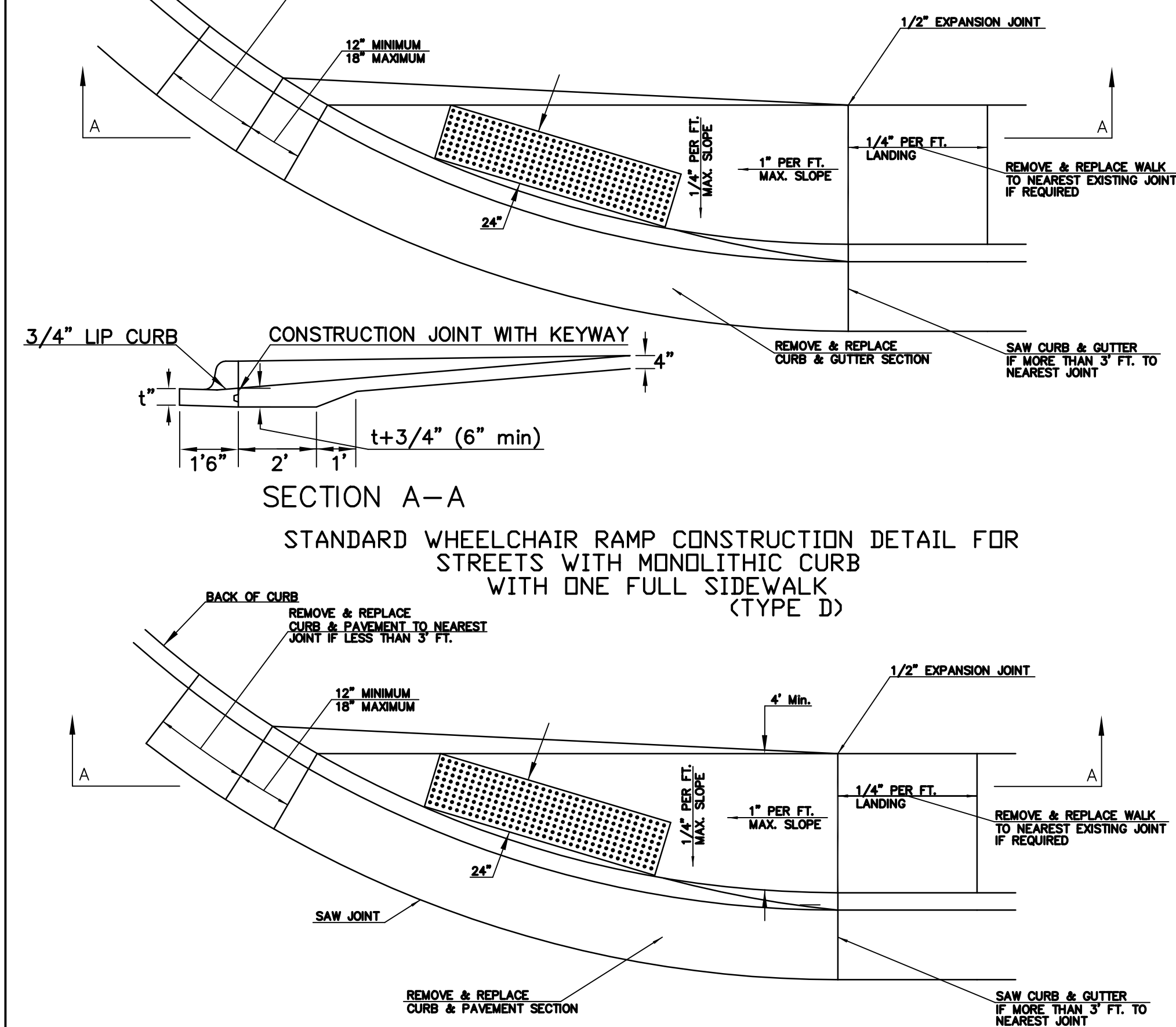
(TYPE C)
STANDARD WHEELCHAIR RAMP CONSTRUCTION DETAIL FOR
STREET WITH COMBINED CURB AND GUTTER ON RADIUS
WITH 6'± FROM BACK OF CURB TO PROPERTY CORNER



(TYPE C)
STANDARD WHEELCHAIR RAMP CONSTRUCTION DETAIL FOR
STREET WITH MONOLITHIC CURB ON RADIUS
WITH 6'± FROM BACK OF CURB TO PROPERTY CORNER



(TYPE D)
STANDARD WHEELCHAIR RAMP CONSTRUCTION DETAIL FOR
STREETS WITH COMBINED CURB & GUTTER
WITH ONE FULL SIDEWALK



WCR WITH DETECTABLE WARNING.DWG

WHEELCHAIR RAMP DETAILS

CITY ENGINEER
NEIL CABLE, P.E.

PROJECT NUMBER XXX-XXXX	DATE MM/YY
CITY ENGINEER'S OFFICE 455 NORTH MAIN STREET WICHITA, KANSAS 67202-1620 (316) 268-4501 (316) 268-4114 FAX	DESIGN JLA DRAWN MCG SHEET P2.2

CITY OF WICHITA PUBLIC WORKS ENGINEERING