

F.H.W.A. REGION NO.	STATE	PROJECT NO.	YEAR	SHEET NO.	TOTAL SHEETS
7	KANSAS	54-87 K-8258-06	2004	18	71

GENERAL NOTES

Combined curb and gutter or gutter adjoining concrete pavement may, at the contractor's option, be poured either monolithically or separately, using either the mix used in the concrete pavement or Class "A" Concrete (AE). The combined curb and gutter or gutter shall have the same section as shown on the plans. If poured monolithically, dowel bars may be omitted from the combined curb and gutter or gutter, but the wire mesh shall be extended to 150 mm or less from the back of the curb or gutter. Pavement joints shall be continued through curb or gutter and no other planes of weakness will be required. Joints in the combined curb and gutter or gutter are to be filled with the same material as used for the pavement joints.

Expansion joints in the combined curb and gutter are to be placed opposite expansion joints in the pavement.

Where combined curb and gutter or gutter does not abut concrete pavement or concrete base course, omit tie bars and longitudinal construction joint and place a 25 mm pre-moulded Expansion Joint Filler (Nonextruding, Type B) cut to the dimensions of the combined curb and gutter or gutter, at a spacing not to exceed 75 m and at the ends of curb returns.

Where combined curb and gutter or gutter is adjacent to bituminous construction, planes of weakness shall be constructed at 6 m intervals.

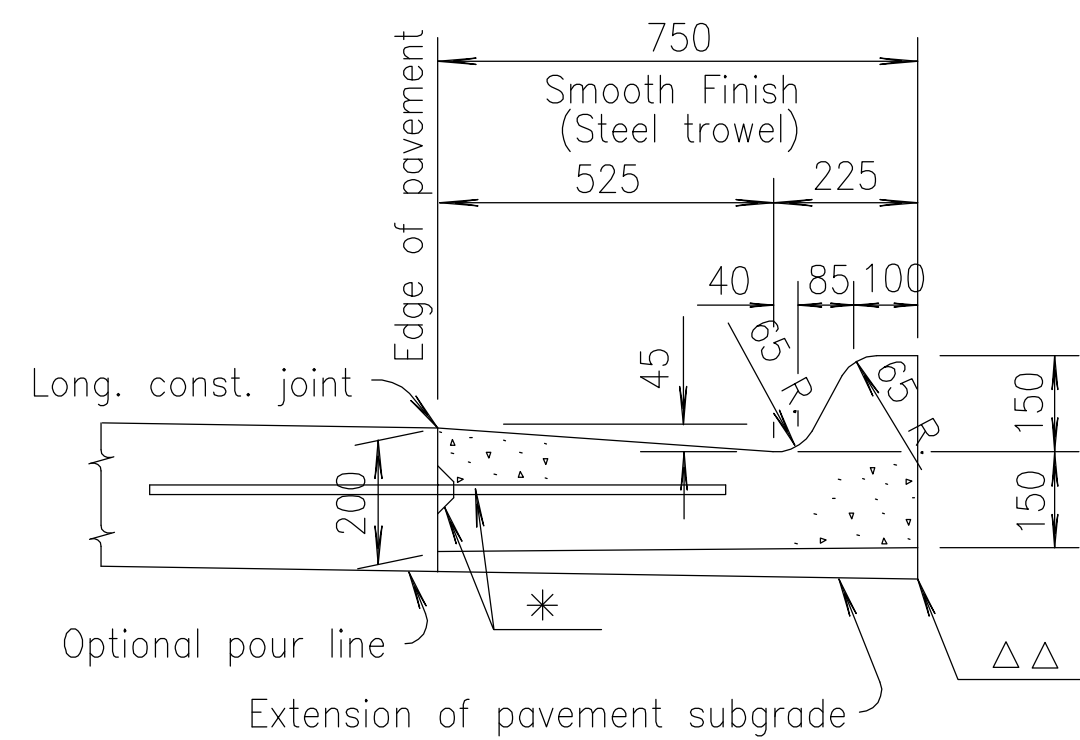
Longitudinal joints shall be sawed and sealed with joint sealant. See special provisions.

\*Optional Longitudinal keyed construction joint and #16 x 900 mm bars @ 750 ctrs., where concrete pavement is constructed.

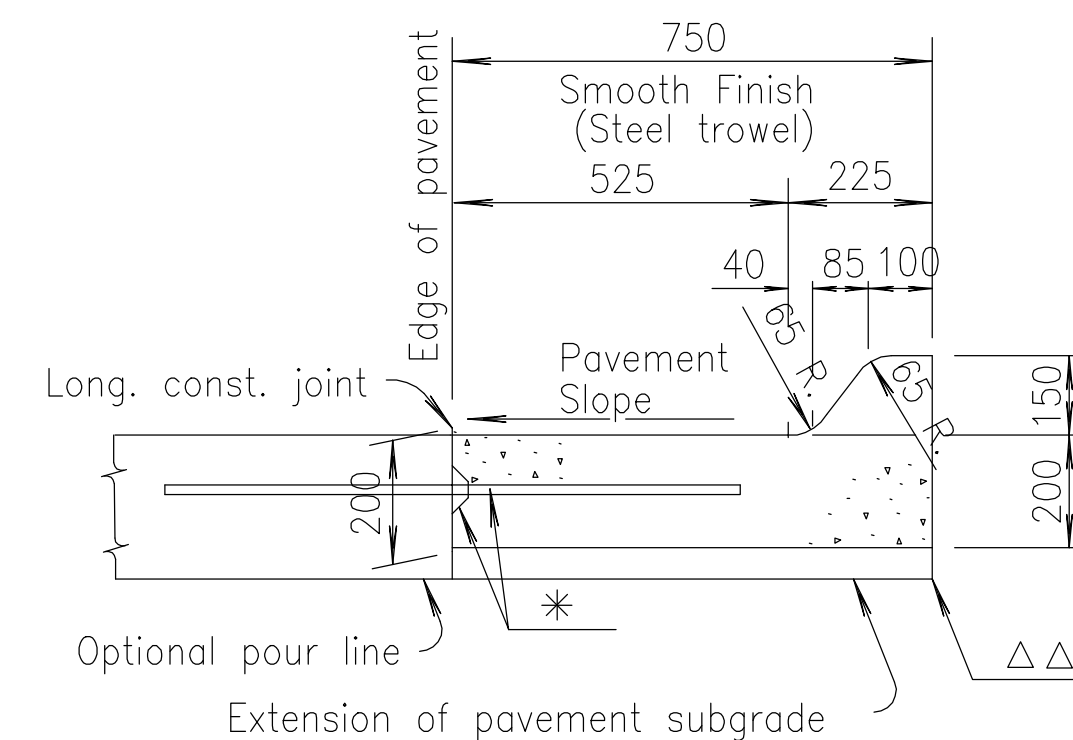
△△Contractor has the option of thickening the curb and gutter as shown.

DATE	BY

REFERENCE NOTED	REFERENCE CHECKED



COMBINED CURB & GUTTER - TYPE I (750 mm WIDTH)



COMBINED CURB & GUTTER - TYPE I MODIFIED (750 mm WIDTH)

Drawn by: \_\_\_\_\_  
 Plotted: \_\_\_\_\_  
 File: \_\_\_\_\_  
 SCALE: \_\_\_\_\_



KANSAS DEPARTMENT OF TRANSPORTATION

CONCRETE CURB & GUTTER

RD-740-SI-  
 City Of Wichita

Sedgwick Co.