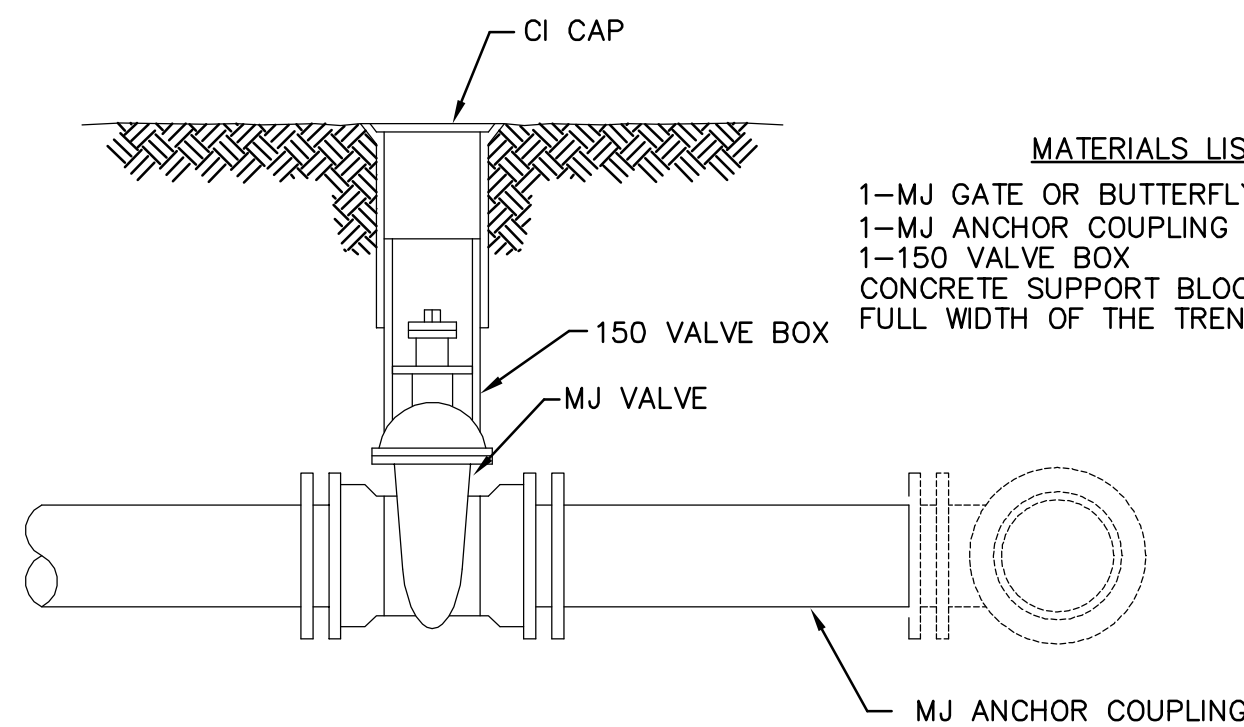


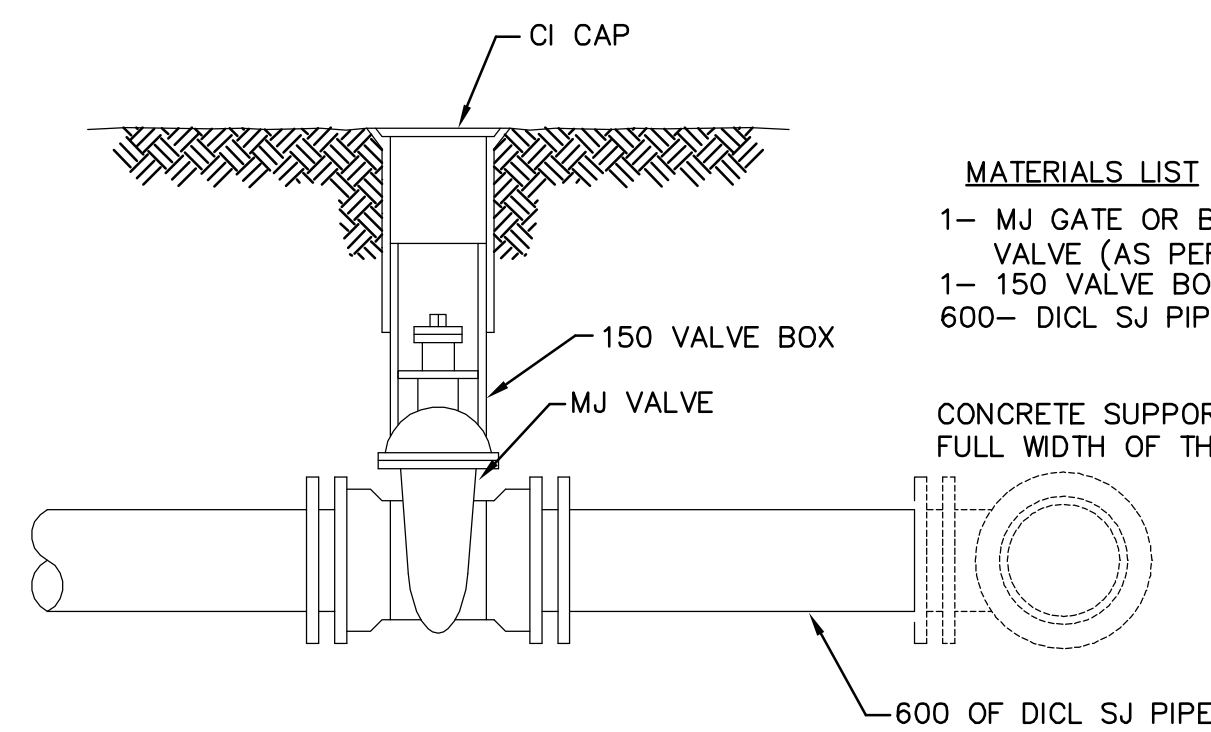
- MATERIALS LIST**
- 1-MJ GATE OR BUTTERFLY VALVE (AS PER PLAN)
  - 1-150 VALVE BOX
  - 2-COUPINGS
  - 2-SHORT PCS. (DI CL SJ PIPE)
  - CONCRETE SUPPORT BLOCK SHALL BE FULL WIDTH OF THE TRENCH

**LINE VALVE ASSEMBLY**



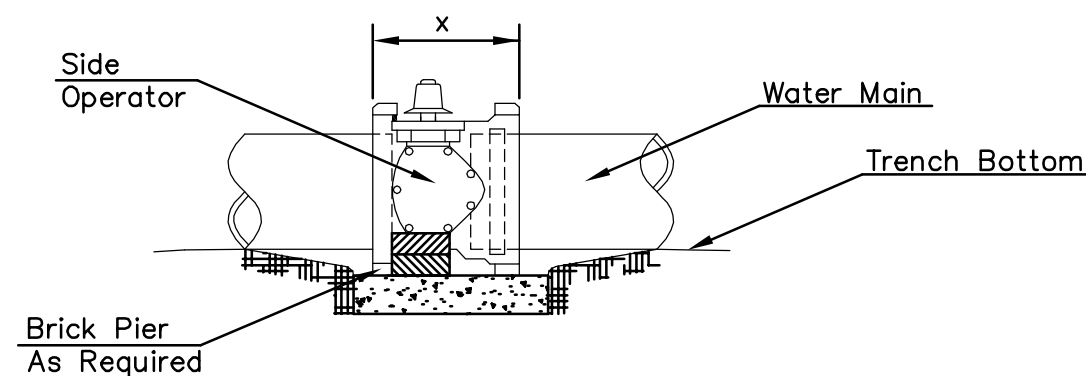
- MATERIALS LIST**
- 1-MJ GATE OR BUTTERFLY VALVE (AS PER PLAN)
  - 1-MJ ANCHOR COUPLING (300 OR SMALLER)
  - 1-150 VALVE BOX
  - CONCRETE SUPPORT BLOCK SHALL BE FULL WIDTH OF THE TRENCH

**ANCHORED VALVE ASSEMBLY**



- MATERIALS LIST**
- 1- MJ GATE OR BUTTERFLY VALVE (AS PER PLAN)
  - 1- 150 VALVE BOX
  - 600- DI CL SJ PIPE
  - CONCRETE SUPPORT BLOCK SHALL BE FULL WIDTH OF THE TRENCH

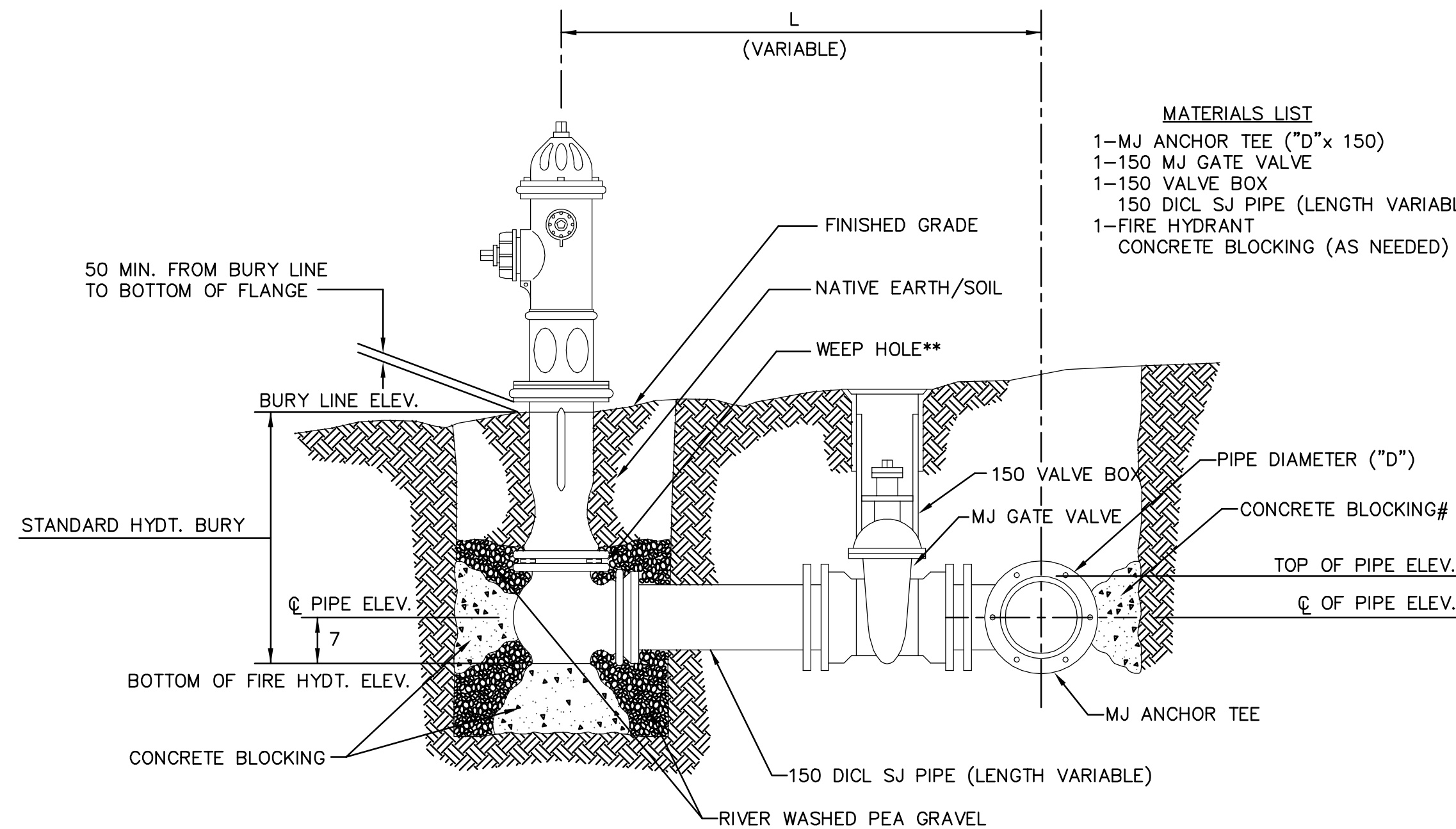
**VALVE ASSEMBLY**



**NOTES**

- This detail covers Butterfly Valve installation, inclusive, regardless of type of pipe or joint used. Larger lines to be detailed on plans.
- 150 Valve Box and Cover required per City of Wichita Std. Specifications.
- Conc. Support Block to be full width of trench.

**CONCRETE SUPPORT BLOCKING FOR BUTTERFLY VALVE INSTALLATION**

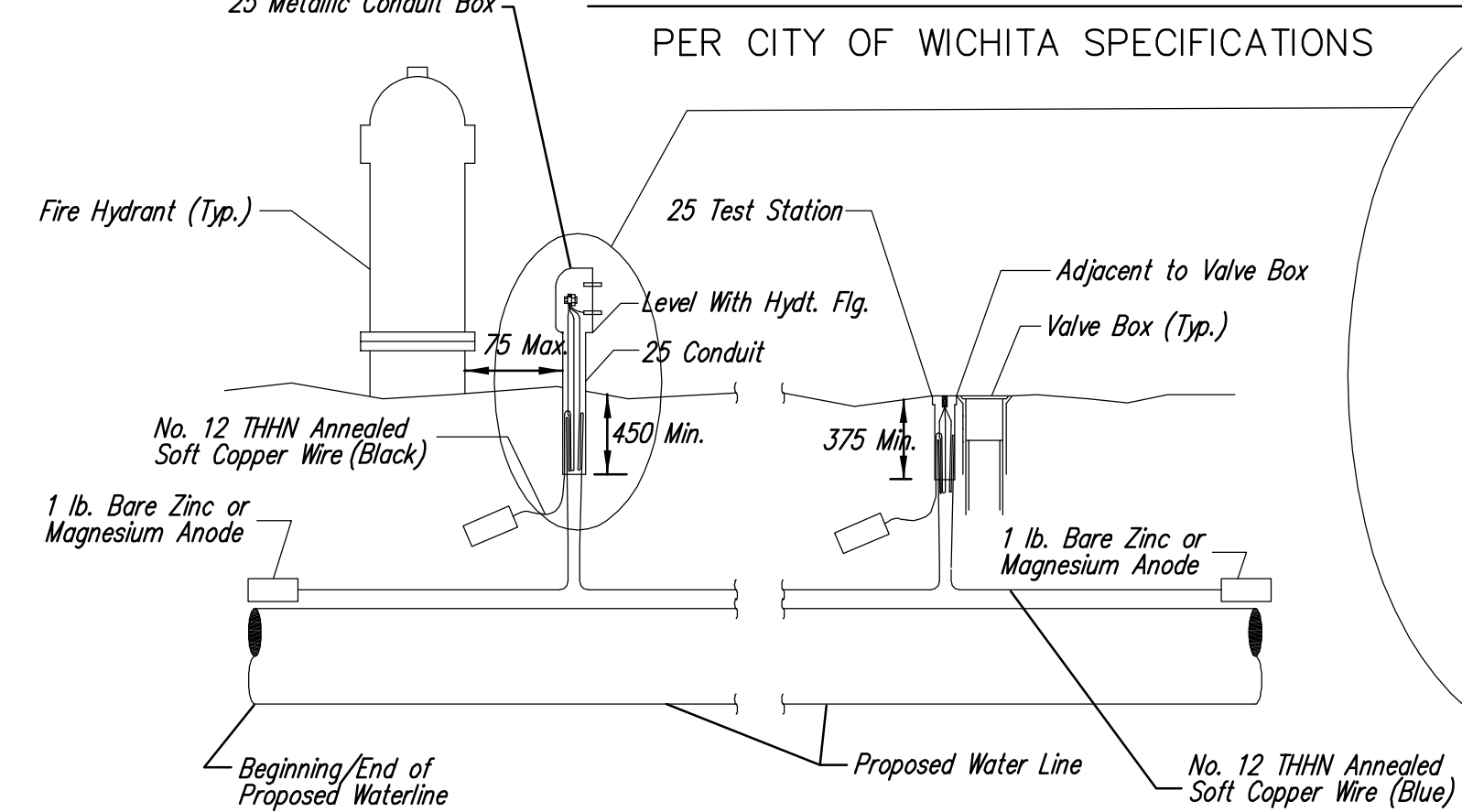


- MATERIALS LIST**
- 1-MJ ANCHOR TEE ("D"x 150)
  - 1-150 MJ GATE VALVE
  - 1-150 VALVE BOX
  - 150 DI CL SJ PIPE (LENGTH VARIABLE)
  - 1-FIRE HYDRANT
  - CONCRETE BLOCKING (AS NEEDED)

- \*\* CAUTION! WEEP HOLES TO BE KEPT CLEAR DURING CONSTRUCTION AND BACKFILL. CONCRETE FOR THRUST BLOCKING SHALL NOT OBSTRUCT WEEP HOLES.**
- # CONCRETE THRUST BLOCKING SHALL BE KEPT CLEAR OF BOLTS, NUTS, AND MJ ACCESSORIES.**
- \* IF HYDRANT BURY IS IN EXCESS OF 1.520 m, CONTRACTOR SHALL USE STANDARD 1.520 m HYDRANT BURY AND HYDRANT BARREL EXTENSIONS AS NECESSARY.**

FIRE HYDRANTS REQUIRED			
STATION	BURY LINE ELEVATION	TOP OF PIPE ELEVATION	FIRE HYDRANT BURY REQUIRED*

**FIRE HYDRANT ASSEMBLY**



**TRACER WIRE**

Conductive type pipe locator/tracer wire shall be installed to locate all waterline pipe regardless of pipe material. The wire shall extend the entire length of the proposed pipe. The wire shall be taped to the waterline and pulled with the pipe. Split-bolt connectors shall be used at splice locations. Electrical tape shall cover all splices so no bare wire is exposed. Test stations shall be installed adjacent to all fire hydrants along the waterline and at blowoffs or valves near the ends of the waterlines. Any exceptions to the location of test stations shall be approved by the engineer. At each test station, the tracer wire shall be connected to a 1 lb. zinc or magnesium anode. Anodes shall also be attached to the tracer wire at both the beginning and the end of the proposed waterline. A typical layout of the tracer wire and test station is provided in the above figure.

**WIRE**

The tracer wire shall be Blue No. 12 THHN annealed soft copper wire with thermal plastic insulation. The insulation shall be heat, oil, and gasoline resistant as manufactured by Temple Electric or approved equal. To allow for grade adjustment, a minimum of 300 mm of excess wire shall be coiled at the bottom of the test station for all wires. The insulation sheathing shall be removed such that 25 mm bare copper wire is exposed at all points of connection. Contractor shall attach wire being installed with proposed water main to any tracer wire installed with adjacent waterline projects.

**TEST STATIONS**

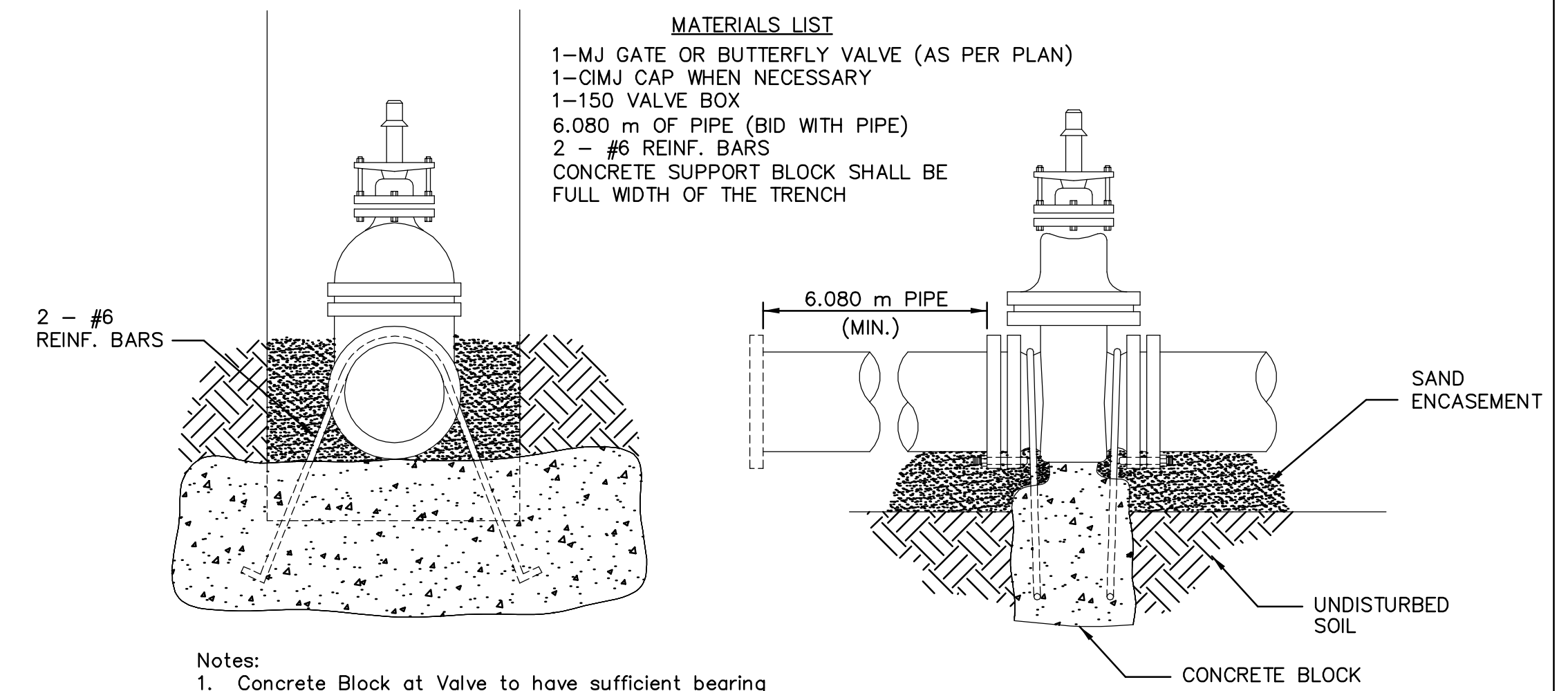
The test station for fire hydrant applications shall be a 25 mm galvanized conduit style test station as manufactured by AGRA Industries with a removable solid cover having two leads extending from the face or approved equal. The test station for valve applications shall be 50 mm flush style test station T2PS3B as manufactured by HANDLEY Industries or approved equal. The conduit style shall be attached to a 25 mm rigid galvanized conduit with a minimum length of 900 and plastic end bushing. The flush style shall have the word "WATER" stamped or molded into the lid. All test stations shall be manufactured using molded blue tops or sufficiently coated with blue enamel paint. The tracer wire and the anode wire shall be installed to allow 250 mm of wire within the test station. In concrete environments such as sidewalks or in the downtown area the contractor shall use the flush style test station. The location of all test stations shall be approved by the engineer, recorded, and shown in the as-built drawings.

**ANODES**

The anodes shall be 1 lb. bare zinc or magnesium. The anodes shall be buried at the same elevation as the waterline at each test station. The anodes shall be connected to Black No. 12 THHN annealed soft copper wire which shall be extended to the test station.

**TRACER WIRE DETAIL**

COST IS SUBSIDIARY TO PIPE INSTALLATION

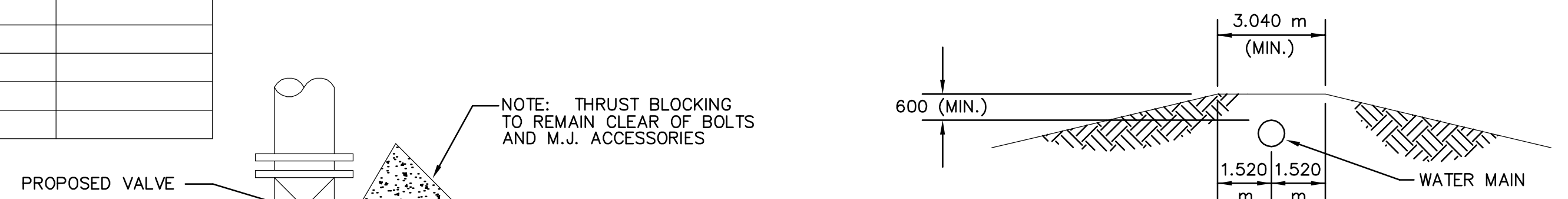


- MATERIALS LIST**
- 1-MJ GATE OR BUTTERFLY VALVE (AS PER PLAN)
  - 1-CIMJ CAP WHEN NECESSARY
  - 1-150 VALVE BOX
  - 6.080 m OF PIPE (BID WITH PIPE)
  - 2 - #6 REINF. BARS
  - CONCRETE SUPPORT BLOCK SHALL BE FULL WIDTH OF THE TRENCH

THRUST AT VALVES	
VALVE	THRUST AT 150 #/in <sup>2</sup>
100	1809 lbs.
150	4245 lbs.
200	7540 lbs.
300	16965 lbs.

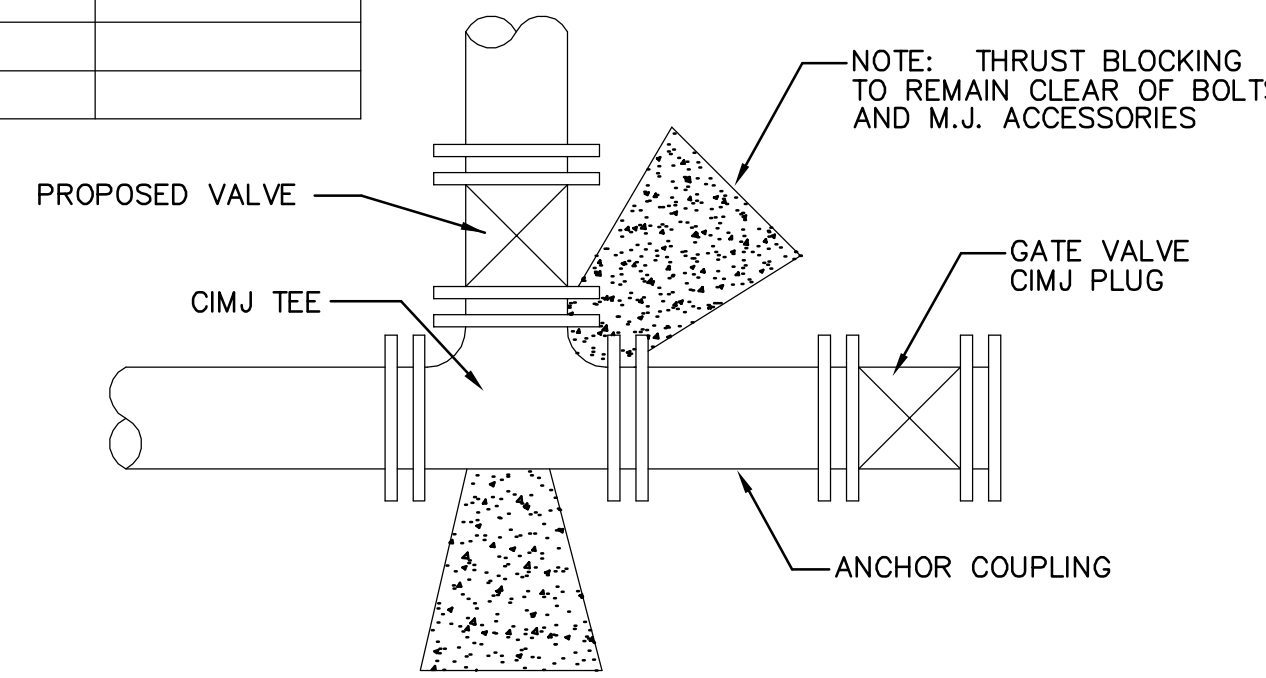
- Notes:**
- Concrete Block at Valve to have sufficient bearing in undisturbed soil to prevent thrust movement as shown in table at right. Field Engineer to determine thrust loading of undisturbed soil and final size of thrust block.
  - The thrust block shall be constructed such that bolts, nuts, and other MJ accessories are kept clear of concrete.
  - All valves at dead ends and at other locations as called out on the plans shall be blocked as shown here.

**ANCHORED VALVE ASSEMBLY, SPECIAL**



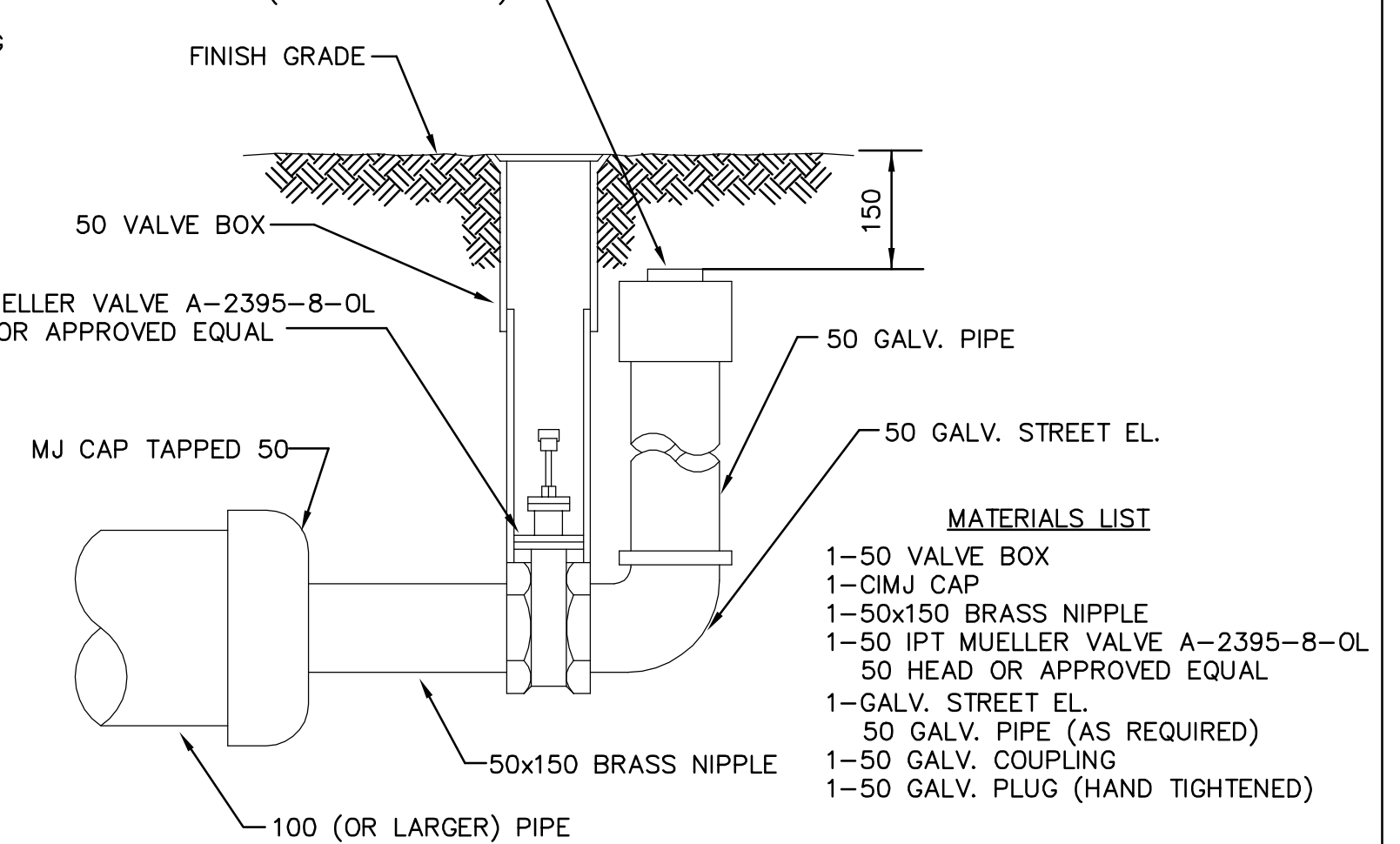
**PROTECTIVE FILL DETAIL**

MINIMUM PROTECTIVE FILL SHALL BE PROVIDED IN ALL INSTANCES WHERE COVER OVER THE PROP. WATER LINE IS LESS THAN 600 mm (COST SUBSIDIARY TO PIPE INSTALLATION)



**KEY BLOCK DETAIL**

2 Blue Wires and 1 Black Wire All Connected to Single Test Lead With Split Bolt Connection and Blue No. 12 THHN Annealed Soft Copper Wire



- MATERIALS LIST**
- 1-50 VALVE BOX
  - 1-CIMJ CAP
  - 1-50x150 BRASS NIPPLE
  - 1-50 IPT MUELLER VALVE A-2395-8-0L
  - 50 HEAD OR APPROVED EQUAL
  - 1-GALV. STREET EL.
  - 50 GALV. PIPE (AS REQUIRED)
  - 1-50 GALV. COUPLING
  - 1-50 GALV. PLUG (HAND TIGHTENED)

**50 BLOWOFF ASSEMBLY**

<p>THE CITY OF WICHITA</p> <p>CITY ENGINEER'S OFFICE 455 NORTH MAIN STREET WICHITA, KANSAS 67202 (316) 268-4551 (316) 268-4114 FAX</p>	<p>STANDARD WATER ASSEMBLY DETAILS</p>	
	<p>M. E. LINDEBAK P.E. - CITY ENGINEER</p>	
	<p>PROJECT NUMBER</p> <p>54-87 K-8258-06</p>	<p>INDEX CODE</p> <p>7</p>
	<p>DATE</p> <p>2004</p>	<p>SHEET 30 OF 71</p>

Revised: 6-7-00, MCG