

**STORM WATER SEWER  
MONARCH LANDING ADDITION  
PHASE 1**

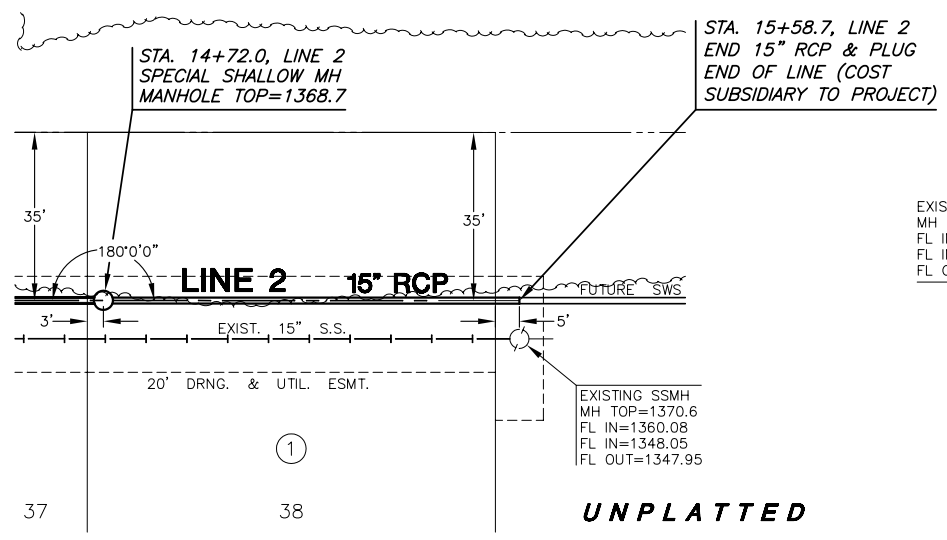
**LINES 2 & 3**  
SHEET TITLE  
468-84319  
PROJECT NUMBER

DESIGN BY *DFL*  
DRAWN BY *SMS/DMU*  
CHECKED BY *GJA*

ISSUED  
February 07  
REVISED

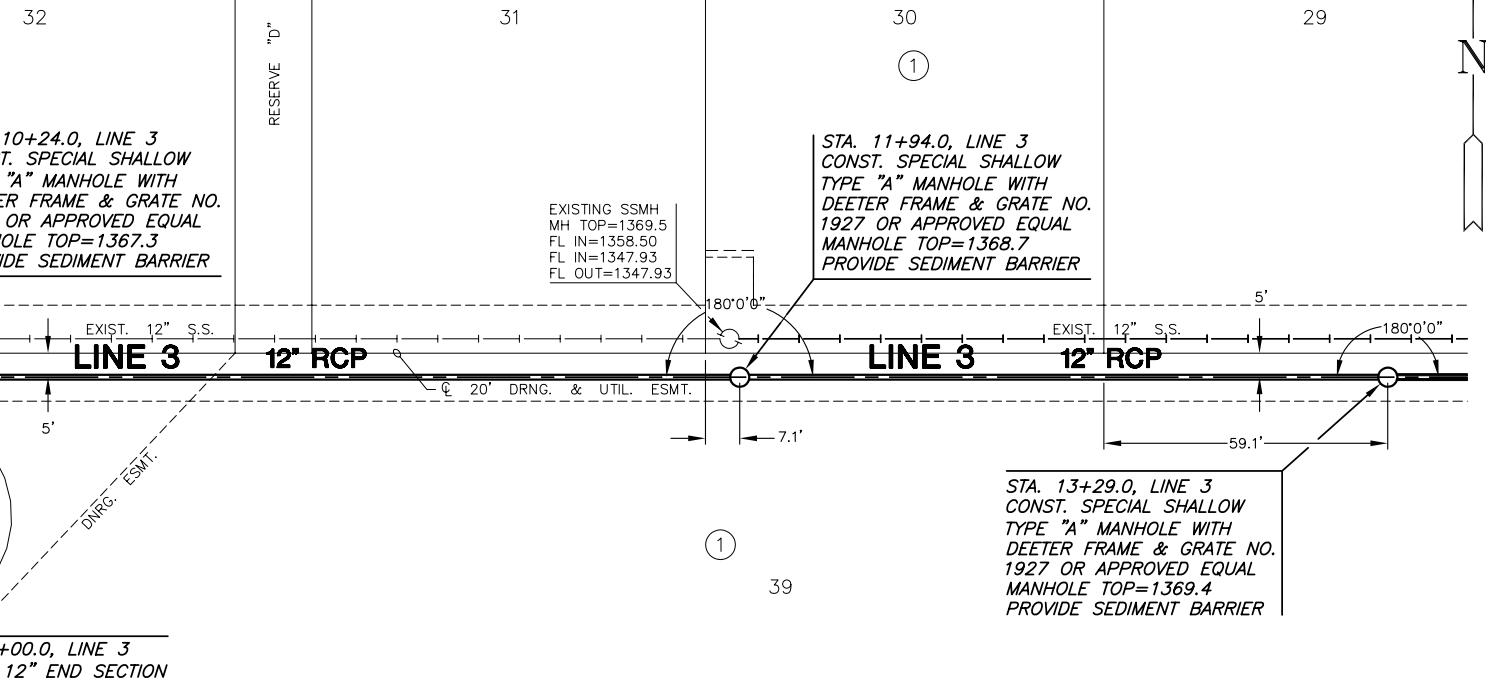
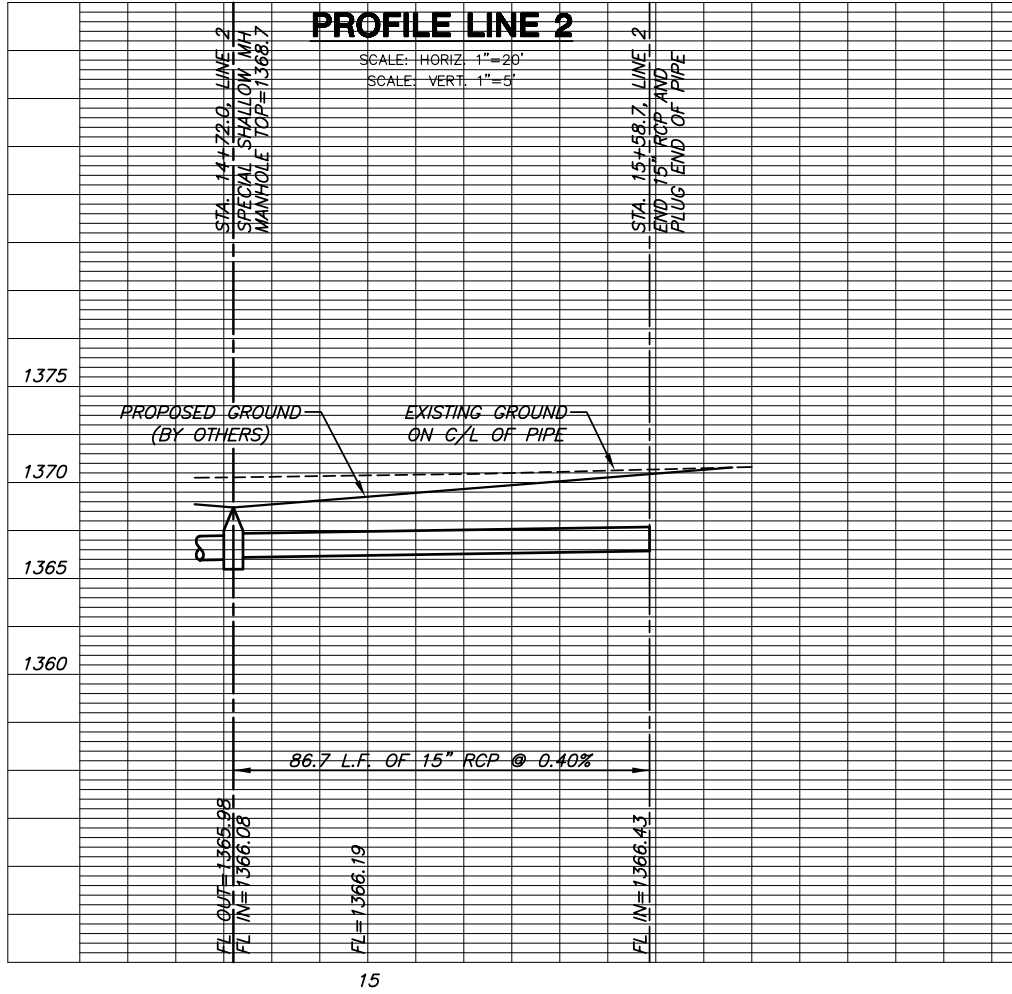
SHEET NO.  
**8 of 26**

UNPLATTED



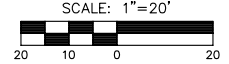
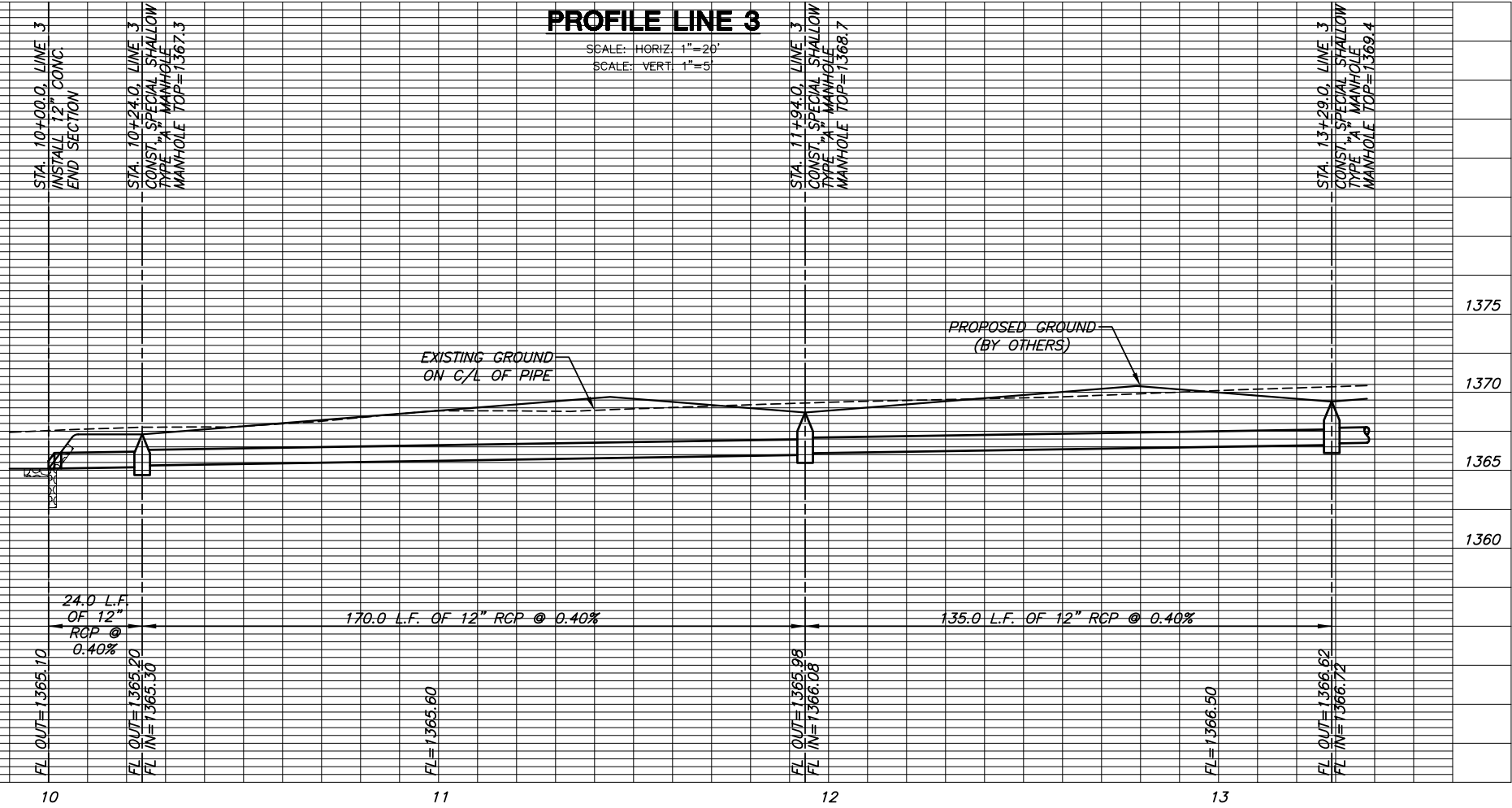
**PLAN LINE 2**

**PROFILE LINE 2**



**PLAN LINE 3**

**PROFILE LINE 3**



PLT07B: Wednesday, March 07, 2007 9:24AM

J:\CIVIL\06201\DWG\SWS\PH1\06201\_L3.DWG