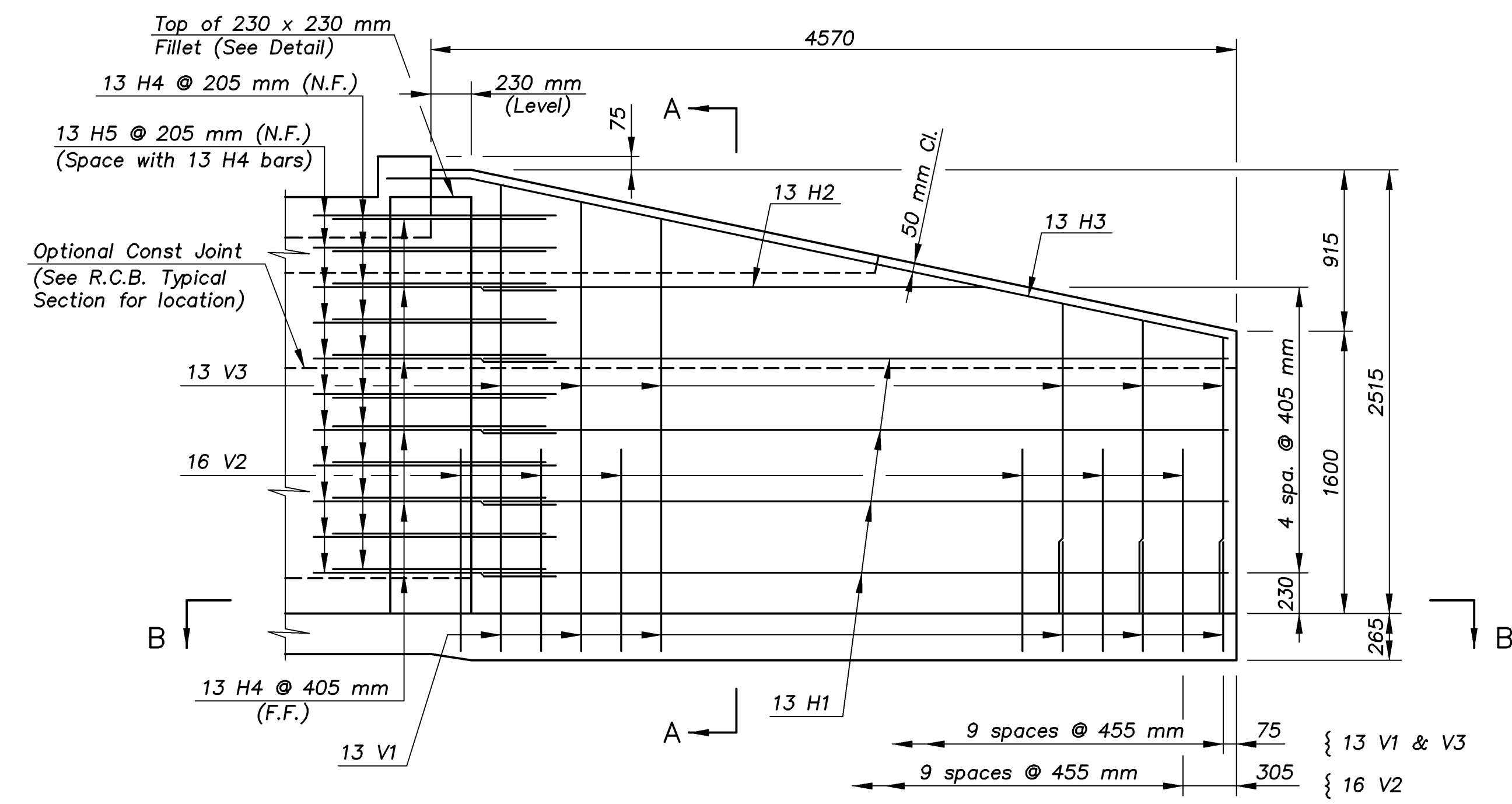
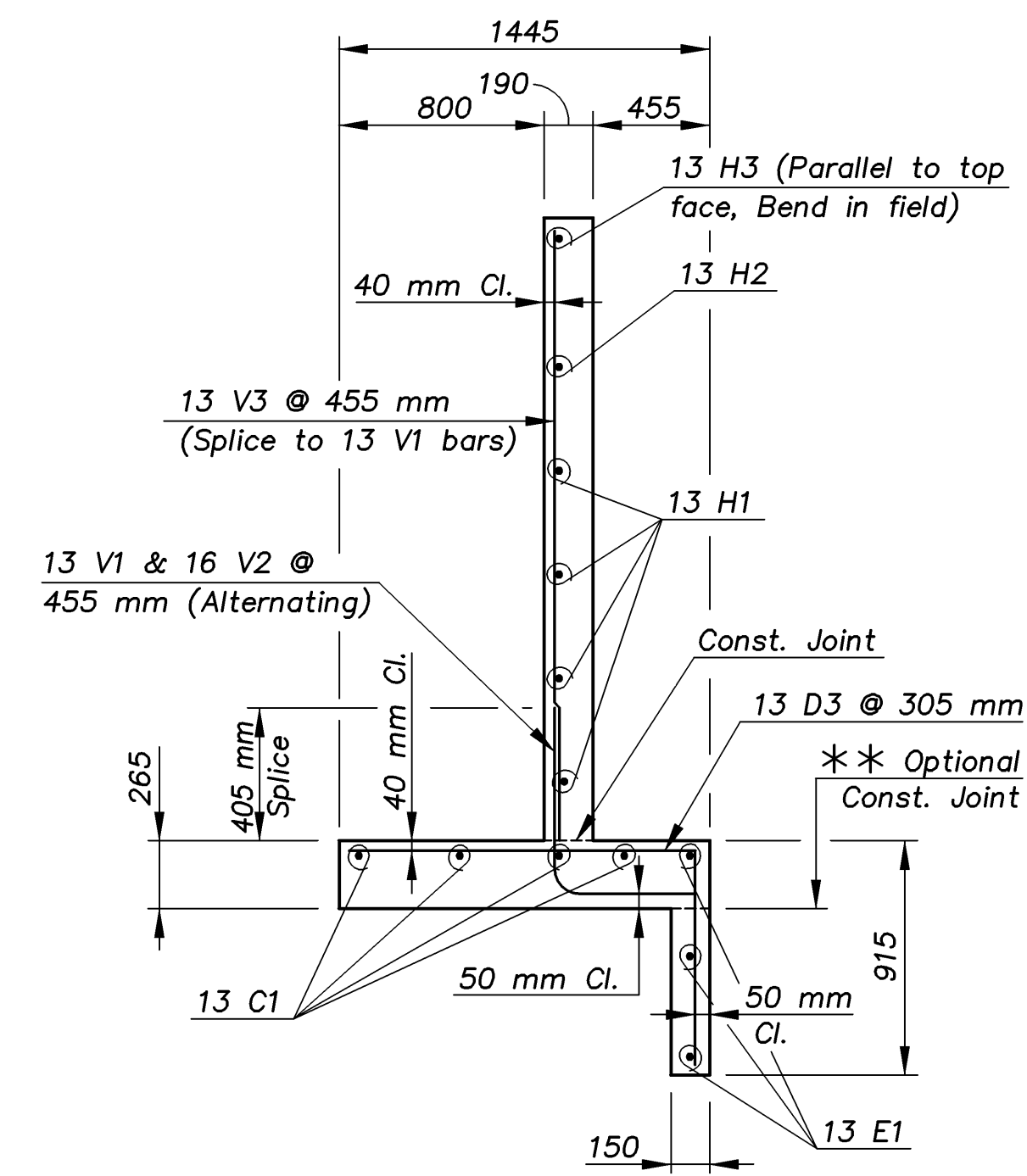


E.F. INDICATES EACH FACE.  
N.F. INDICATES NEAR FACE.  
F.F. INDICATES FAR FACE.

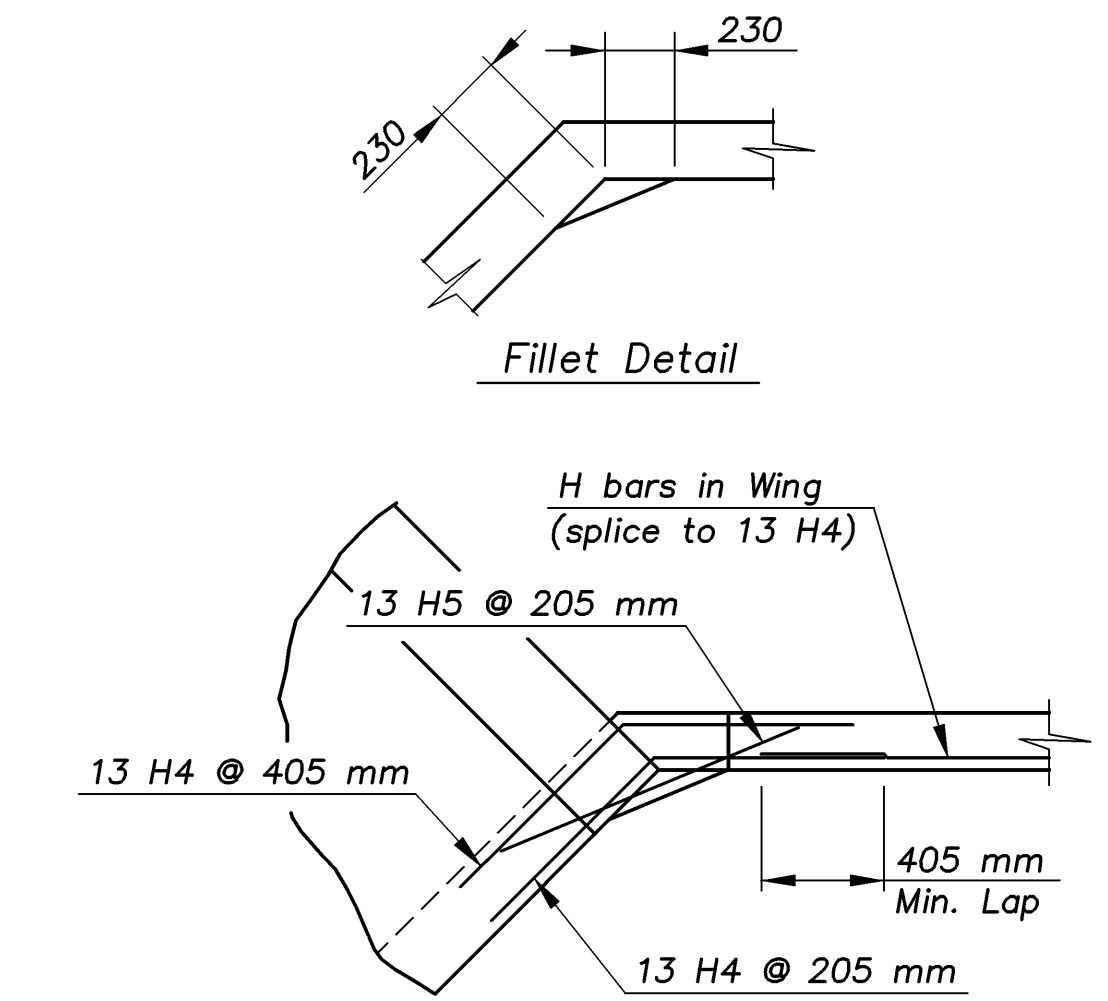
STATE	PROJECT NO.	YEAR	SHEET NO.	TOTAL SHEETS
KANSAS	54-87 K-8258-02	2003	18	76



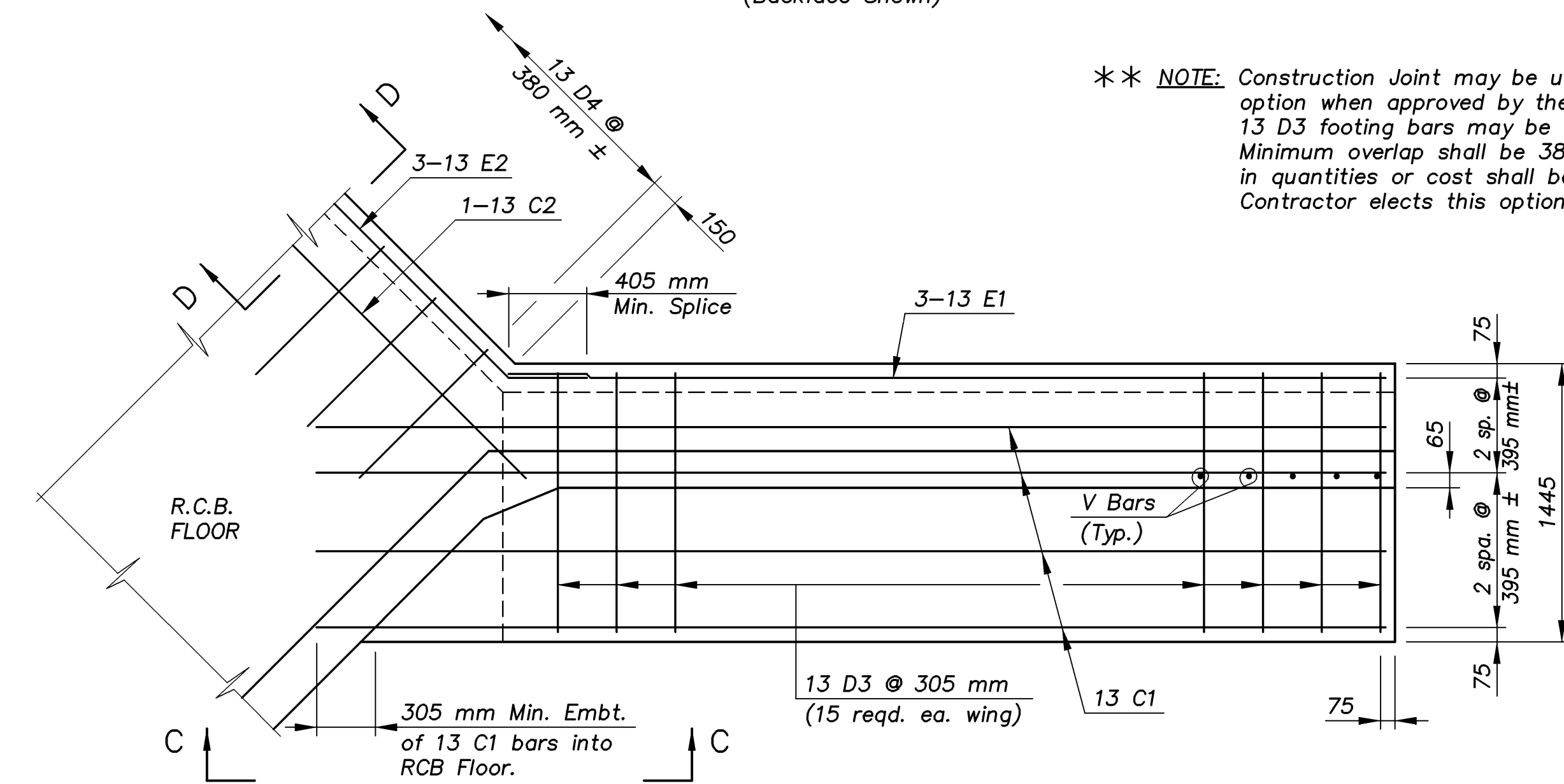
**ELEVATION OF WINGWALL**  
(Backface Shown)



**SECTION A-A**



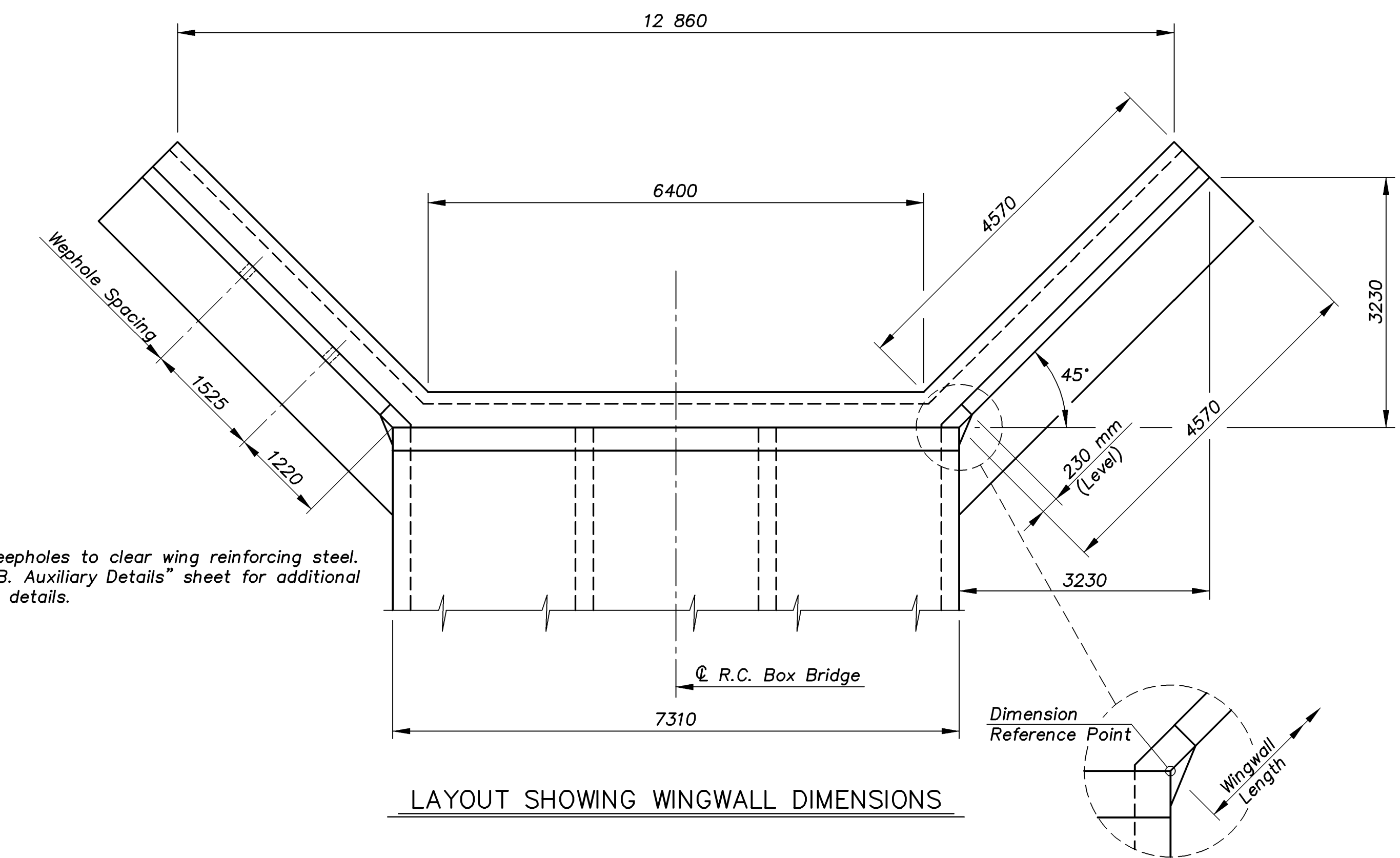
**PLAN VIEW OF FILLET REINFORCING**



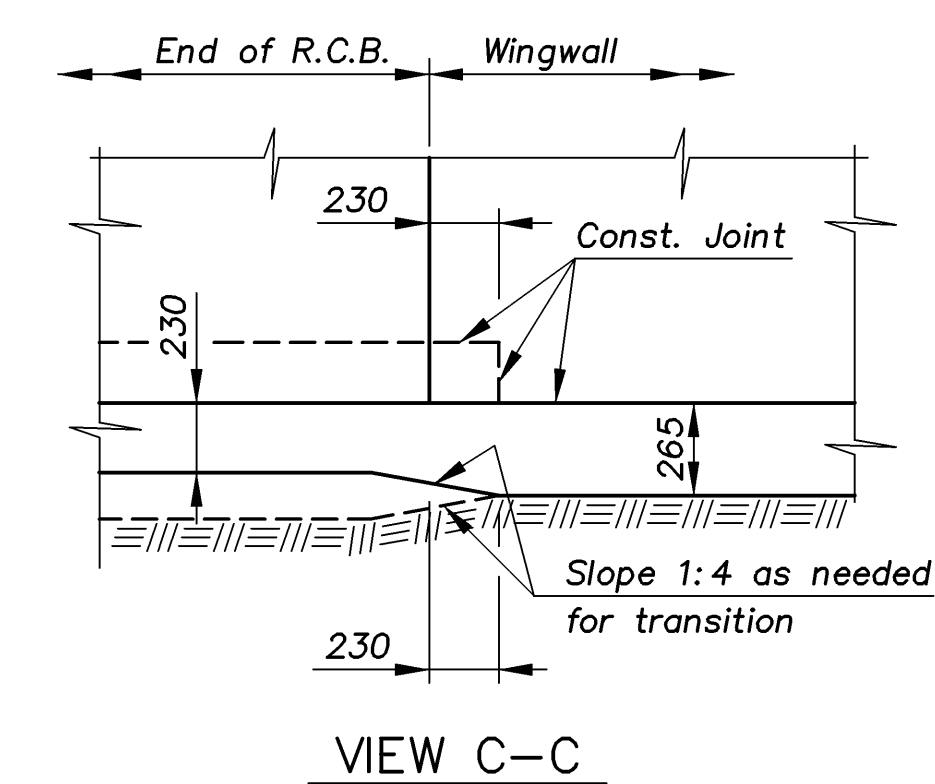
**SECTION B-B**  
(Plan of Footing)

\*\* NOTE: Construction Joint may be used at Contractor's option when approved by the Engineer.  
13 D3 footing bars may be spliced thus:  
Minimum overlap shall be 380 mm. No increase in quantities or cost shall be allowed when Contractor elects this option.

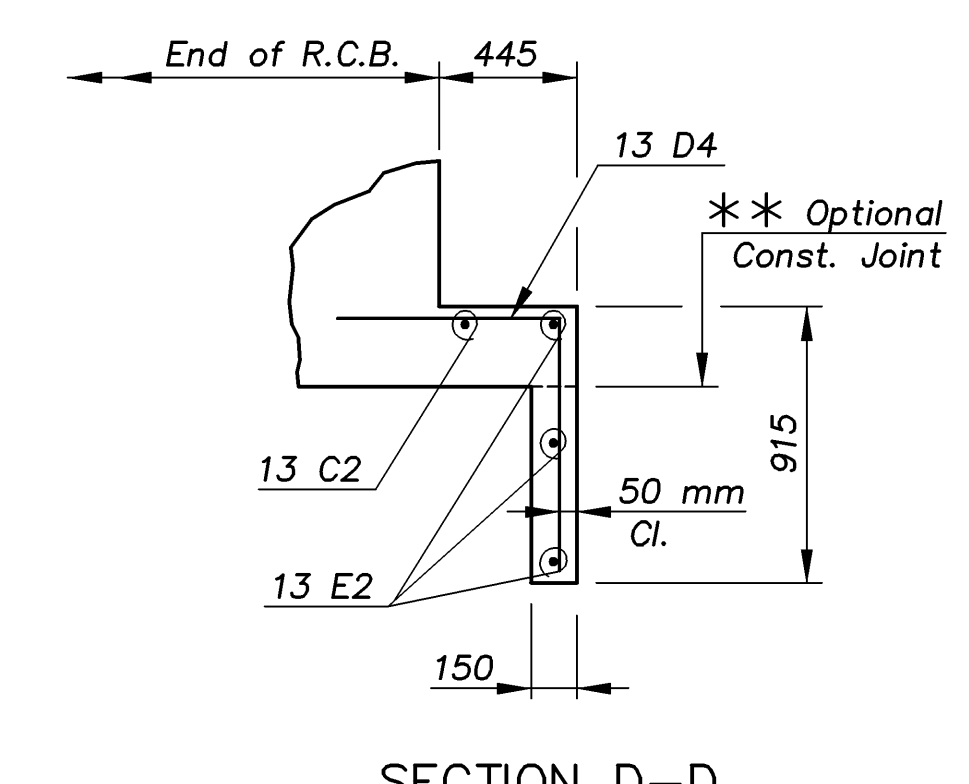
NOTE: Space Weepholes to clear wing reinforcing steel. See R.C.B. Auxiliary Details" sheet for additional weephole details.



**LAYOUT SHOWING WINGWALL DIMENSIONS**



**VIEW C-C**



**SECTION D-D**

J:\01\026E\ARMOUR-RCB\DETAILS 1:250

KANSAS DEPARTMENT OF TRANSPORTATION  
BR. NO. 54-87-30.80(146) STA. 3+354.326

**TRIPLE 2.1 x 2.1 m R.C.B.**  
**WINGWALL DETAILS**

Proj. No. 54-87 K-8258-02 SEDGWICK COUNTY

**Cook, Flatt & Strobel**  
ENGINEERS, P.A.

DESIGNED	R.S.C.	SCALE	Varies
DETAILED	T.R.G.	DATE	
QUANTITIES	T.R.G.	SHEET	6 OF 8