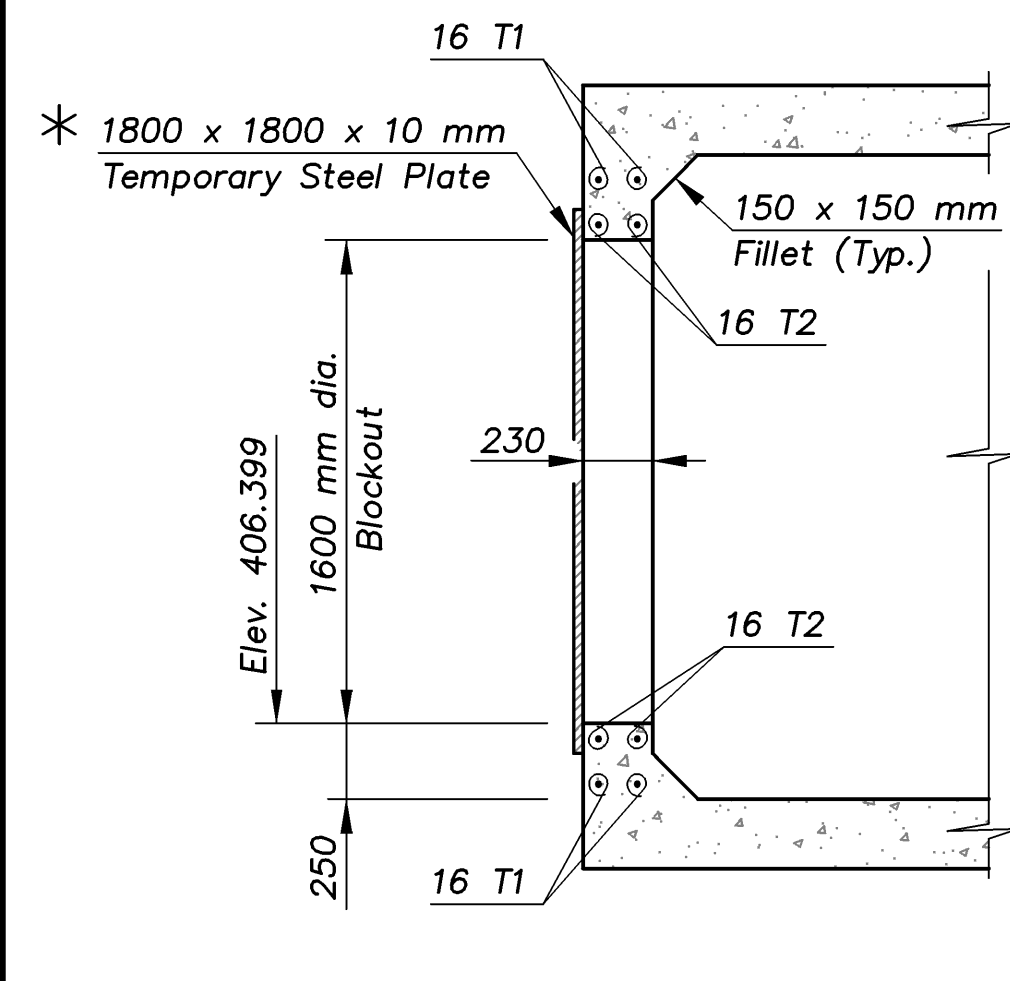
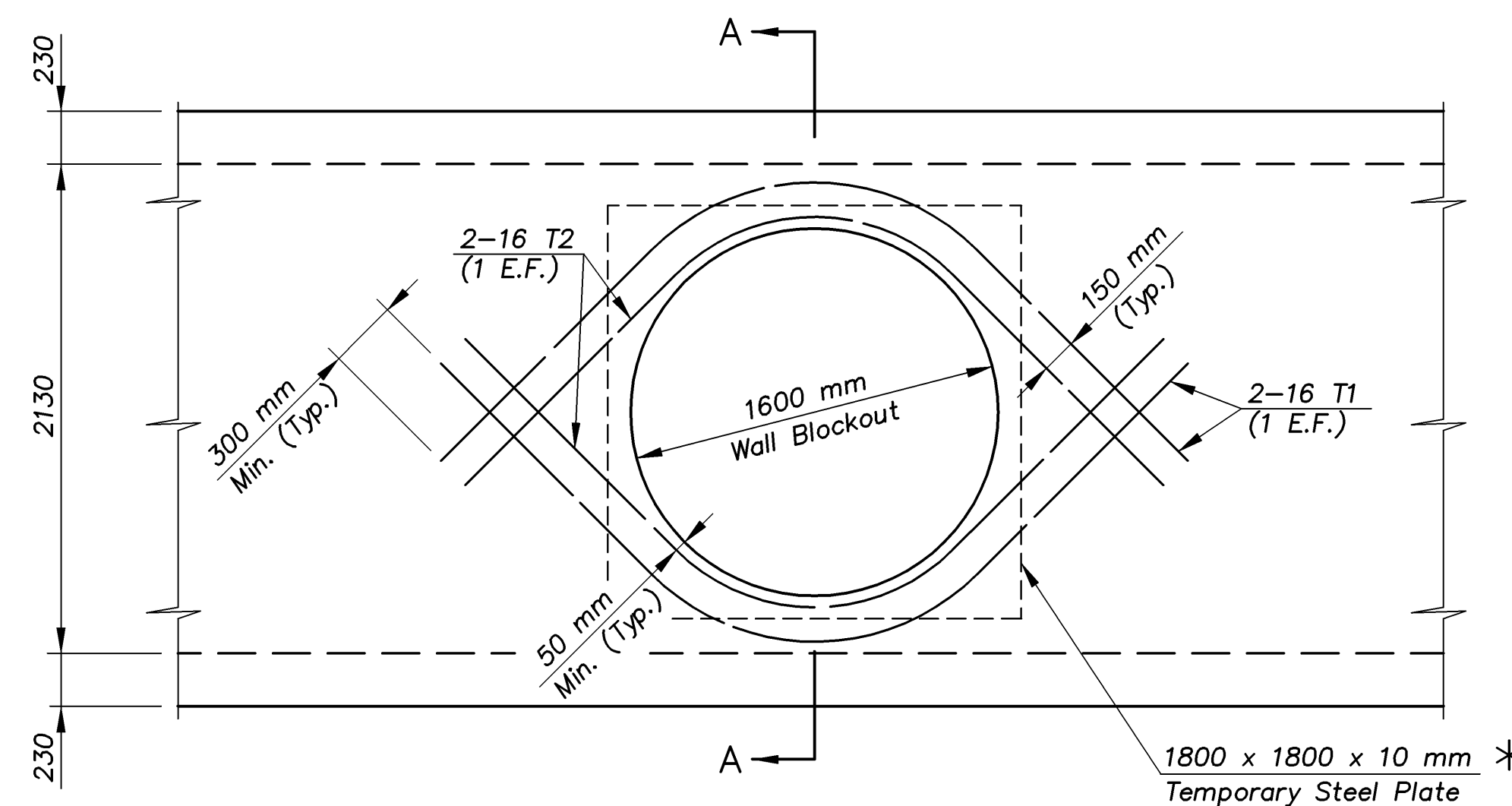


E.F. INDICATES EACH FACE.  
N.F. INDICATES NEAR FACE.  
F.F. INDICATES FAR FACE.

STATE	PROJECT NO.	YEAR	SHEET NO.	TOTAL SHEETS
KANSAS	54-87 K-8258-02	2003	19	76

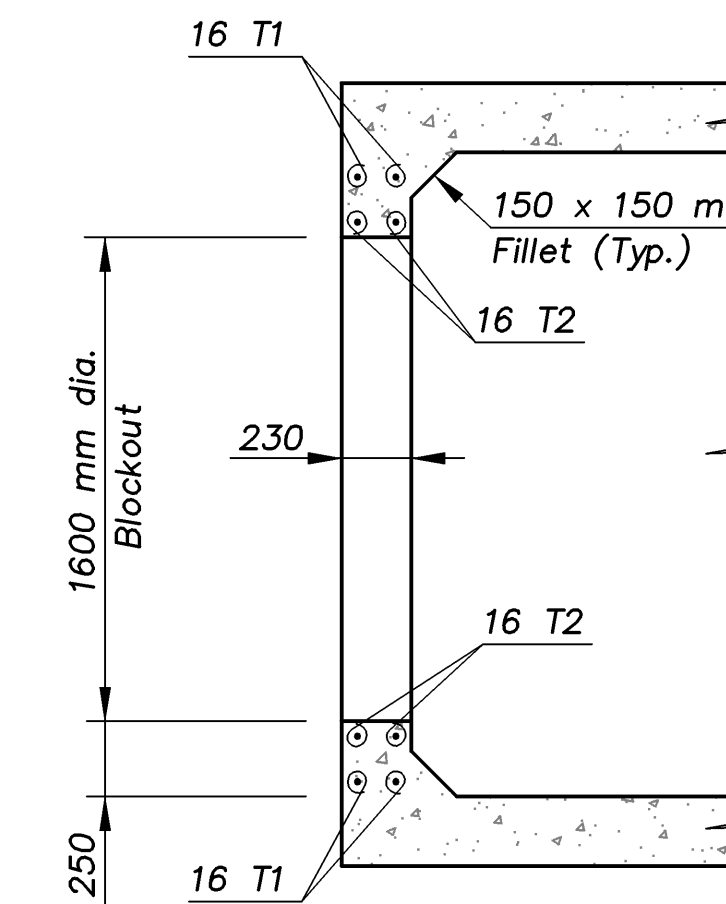


SECTION A-A

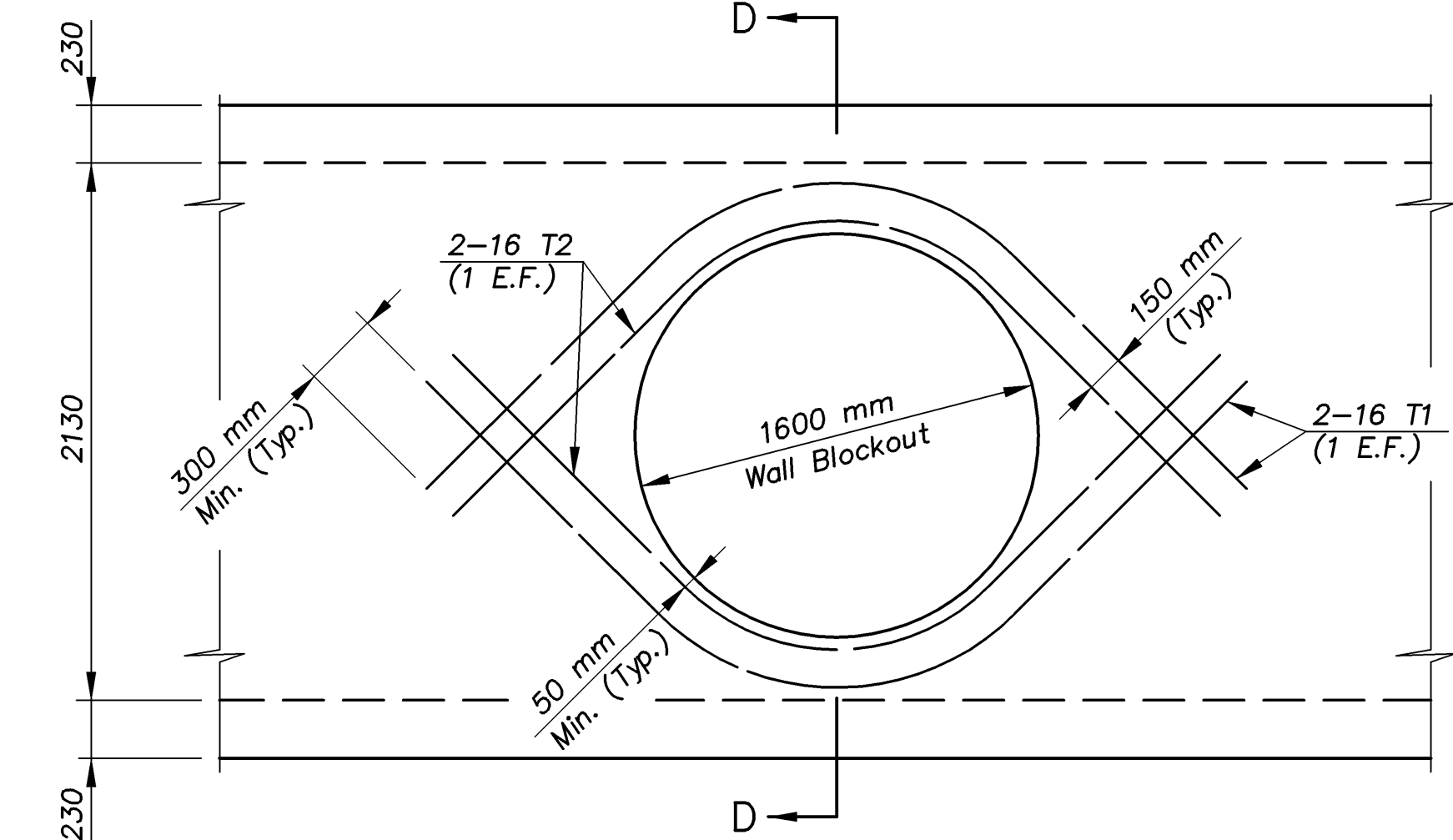


ELEVATION VIEW OF 1600 mm BLOCKOUT

NOTE: The normal R.C.B. reinforcing (horizontal & vertical bars) shall be cut or bent, in the field, to provide 50 mm clearance to the various wall blockouts provided at future pipe locations.

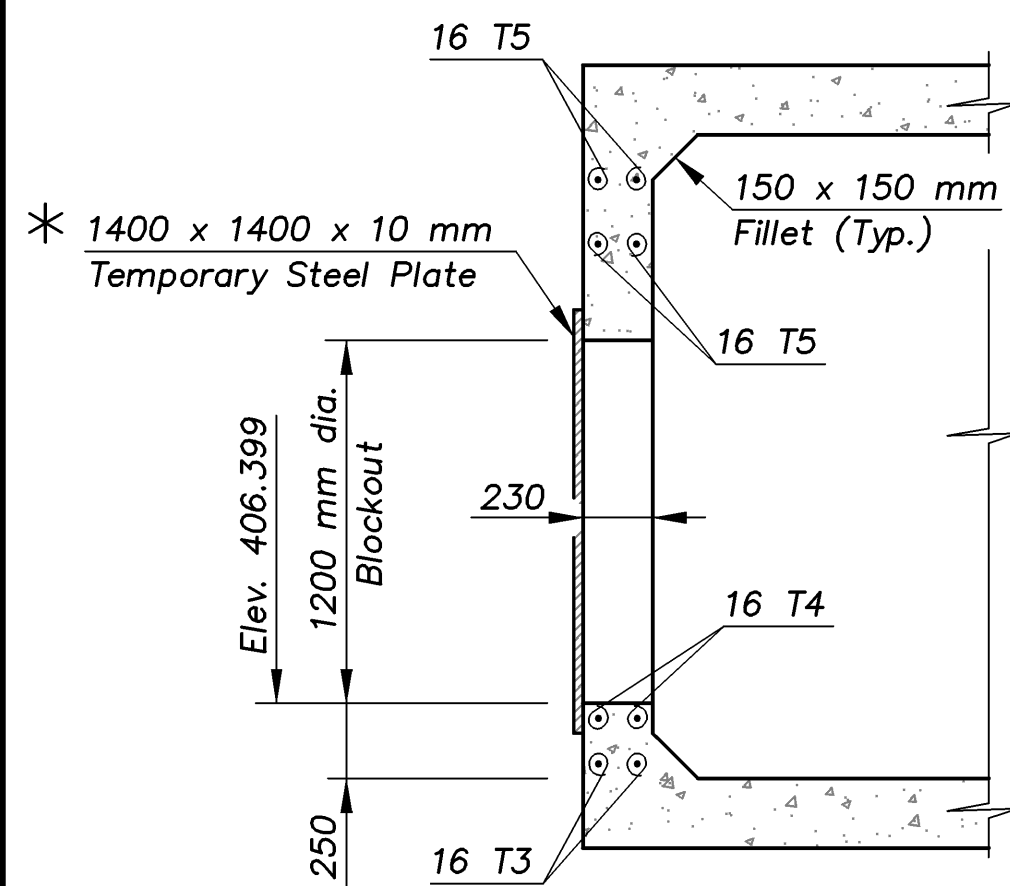


SECTION D-D

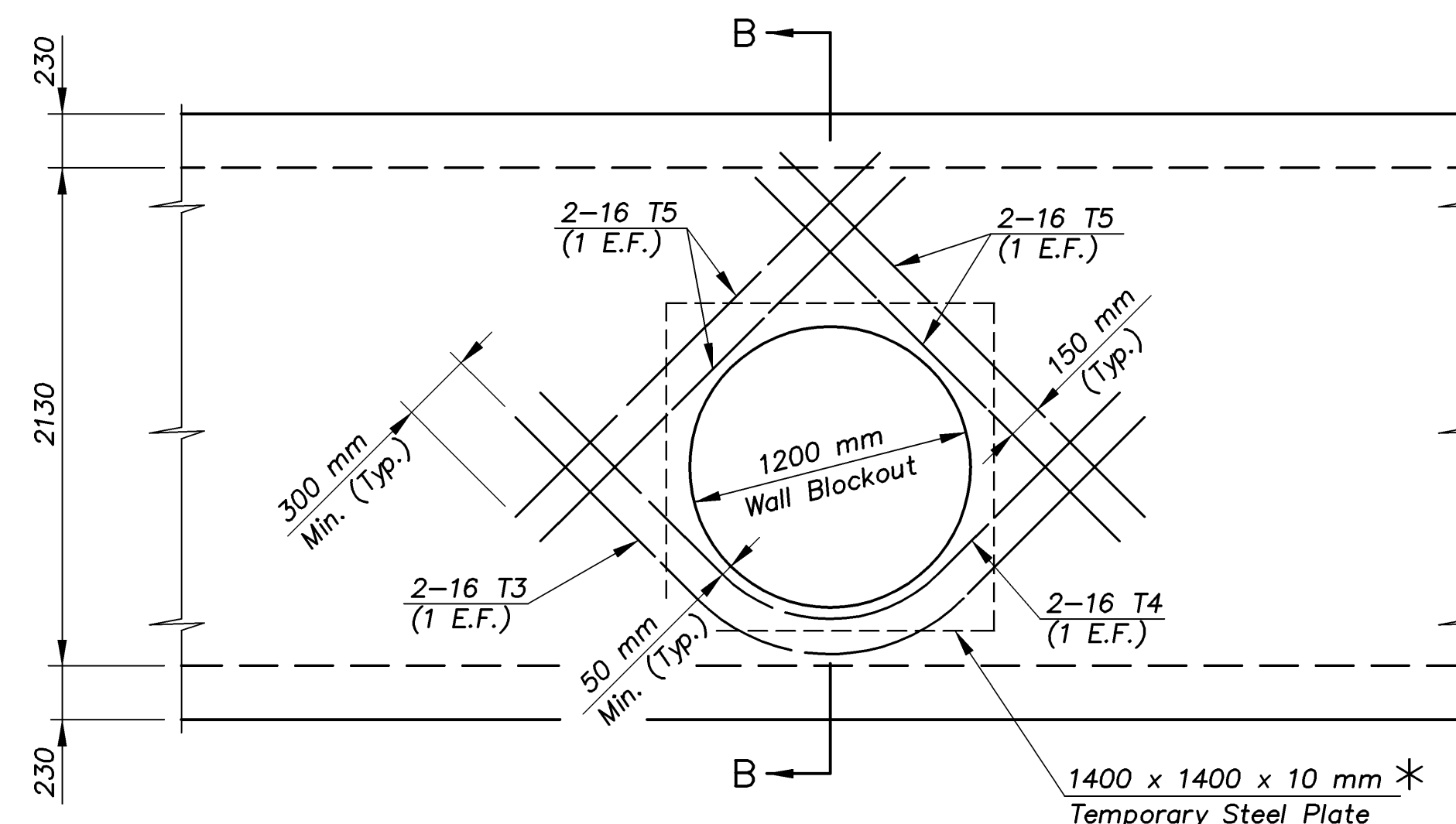


ELEVATION VIEW OF 1600 mm BLOCKOUT

(Interior Walls in Section No. 2 Only)



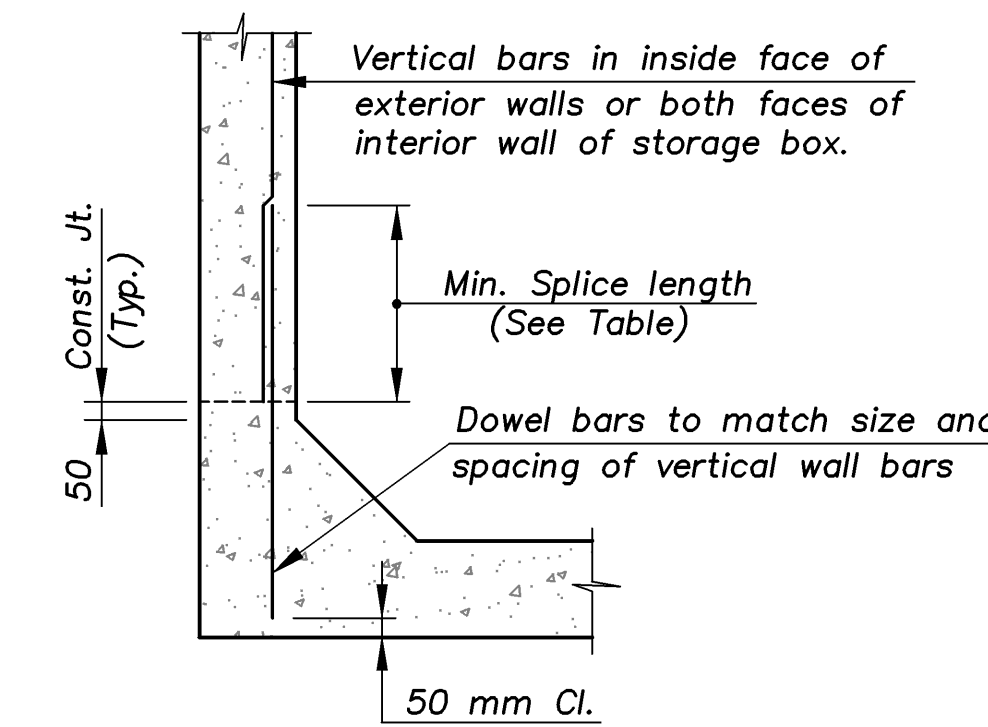
SECTION B-B



ELEVATION VIEW OF 1200 mm BLOCKOUT

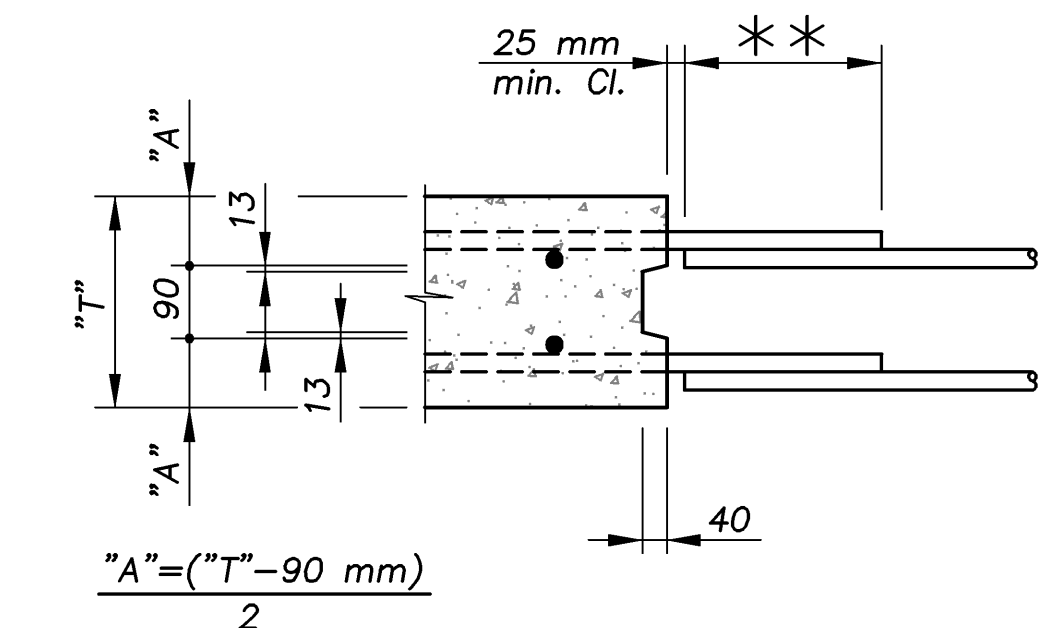
MINIMUM SPLICE LENGTHS	
Bar Size	Splice Length
13 M	640 mm
16 M	790 mm
19 M	940 mm
22 M	1195 mm
25 M	1550 mm

\*\* NOTE: Longitudinal bars shall extend through the joint to provide a minimum lap equal to the required splice length. See table for required splice length.



OPTIONAL DWEL BAR DETAIL

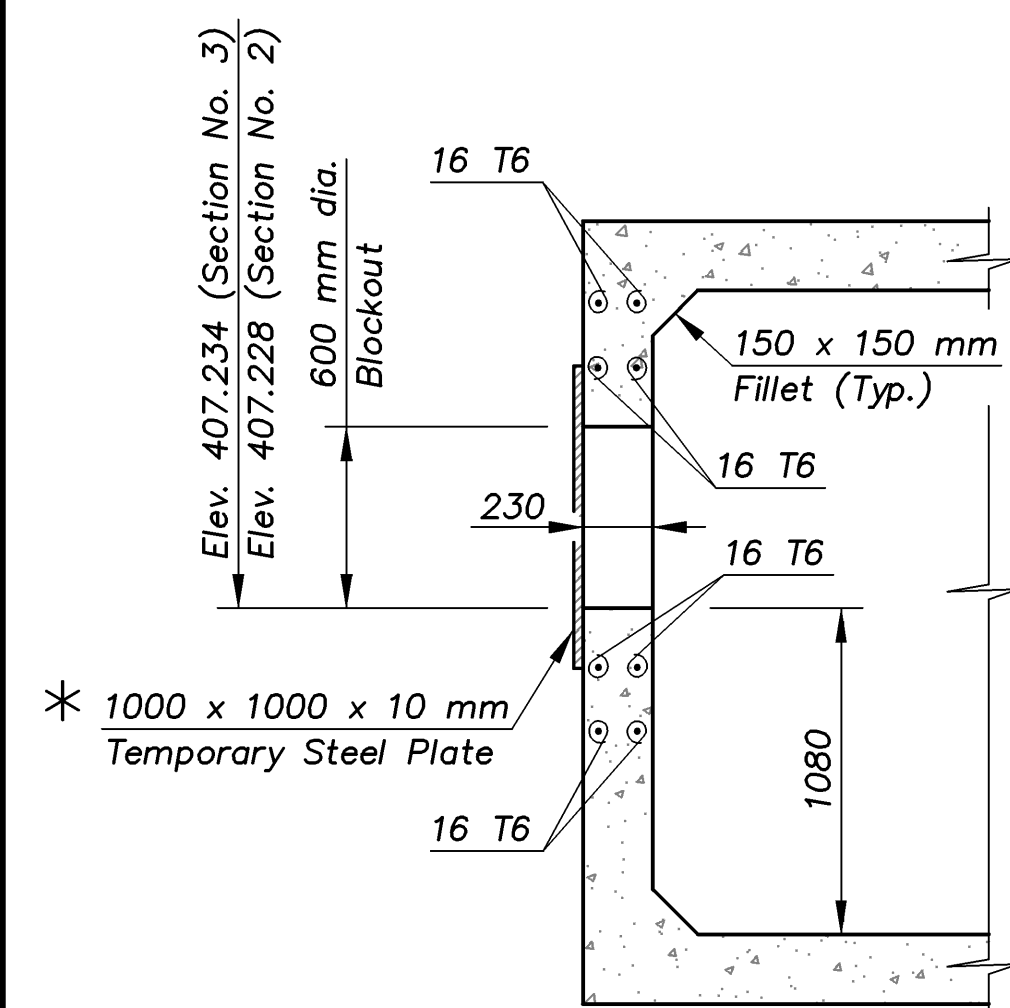
NOTE: The Contractor shall have the option of using dowel bars to match vertical wall bars as shown, however no allowance will be made for additional steel required for bar laps.



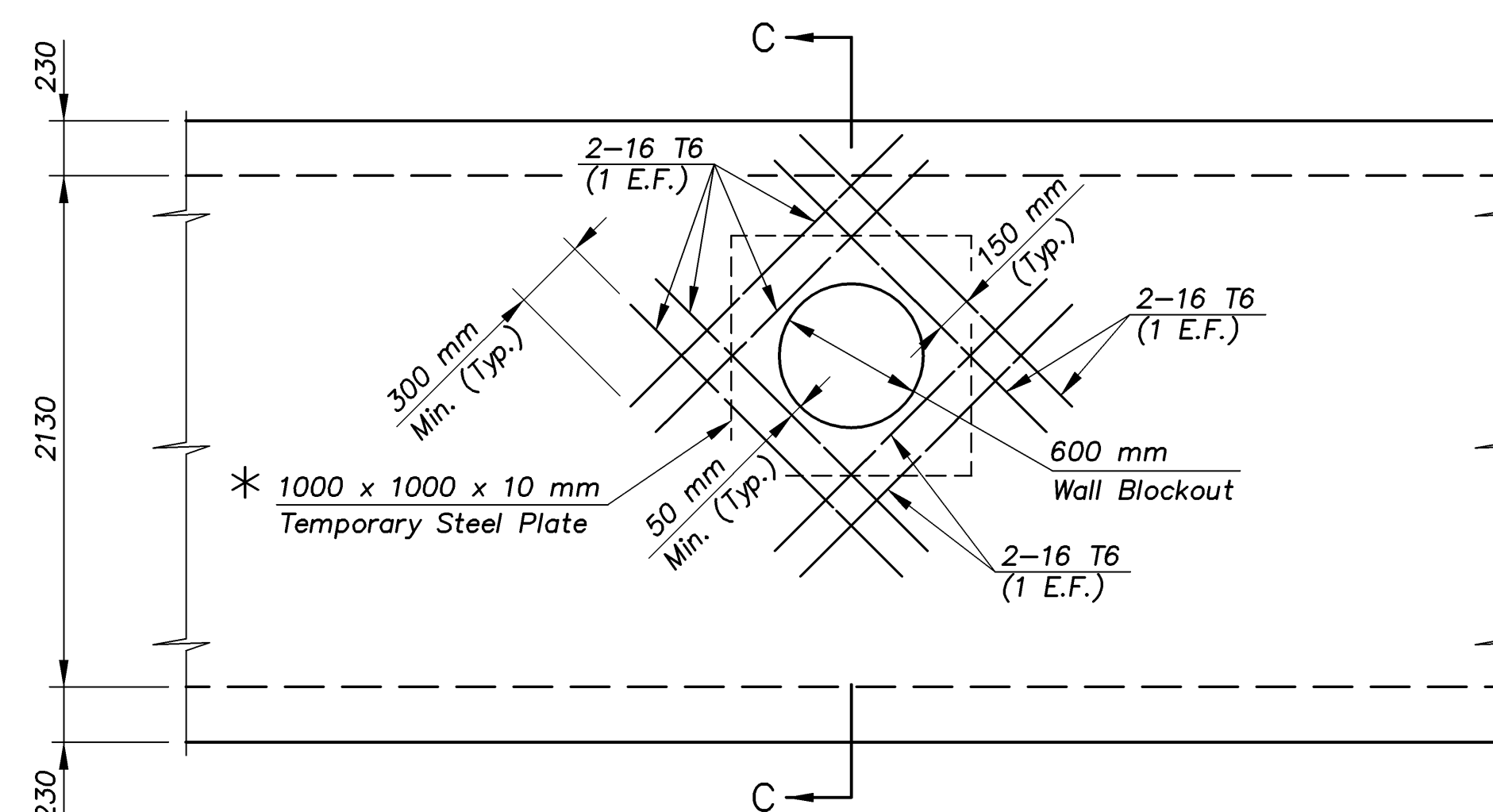
VERTICAL CONSTRUCTION JOINTS

NOTE: Vertical construction joints shall be perpendicular to the longitudinal axis of the R.C.B. and shall be placed at any location as needed for construction and as approved by the Engineer. Vertical construction joints shall be protected by a bentonite based system as shown on the Plans

NOTE: Horizontal construction joints shall be a roughened finish.



SECTION C-C



ELEVATION VIEW OF 600 mm BLOCKOUT

\* NOTE: The Contractor shall install temporary steel plates over the blockout openings on the exterior face of walls as shown on the details. Shop drawings of the plates and the method of support shall be submitted to the Engineer for approval. All wall blockout locations shall be verified in the field. All materials and the labor necessary to furnish and install the temporary steel plates shall be Subsidiary to the bid item "Concrete (Grade 30) AE".

KANSAS DEPARTMENT OF TRANSPORTATION			
BR. NO. 54-87-30.80(146)	STA. 3+354.326		
<b>TRIPLE 2.1 x 2.1 m R.C.B.</b> <b>MISCELLANEOUS DETAILS</b>		DESIGNED R.S.C. SCALE Varies DETAILED T.R.G. DATE QUANTITIES T.R.G. SHEET 7 OF 8	
Proj. No. 54-87 K-8258-02 SEDGWICK COUNTY			