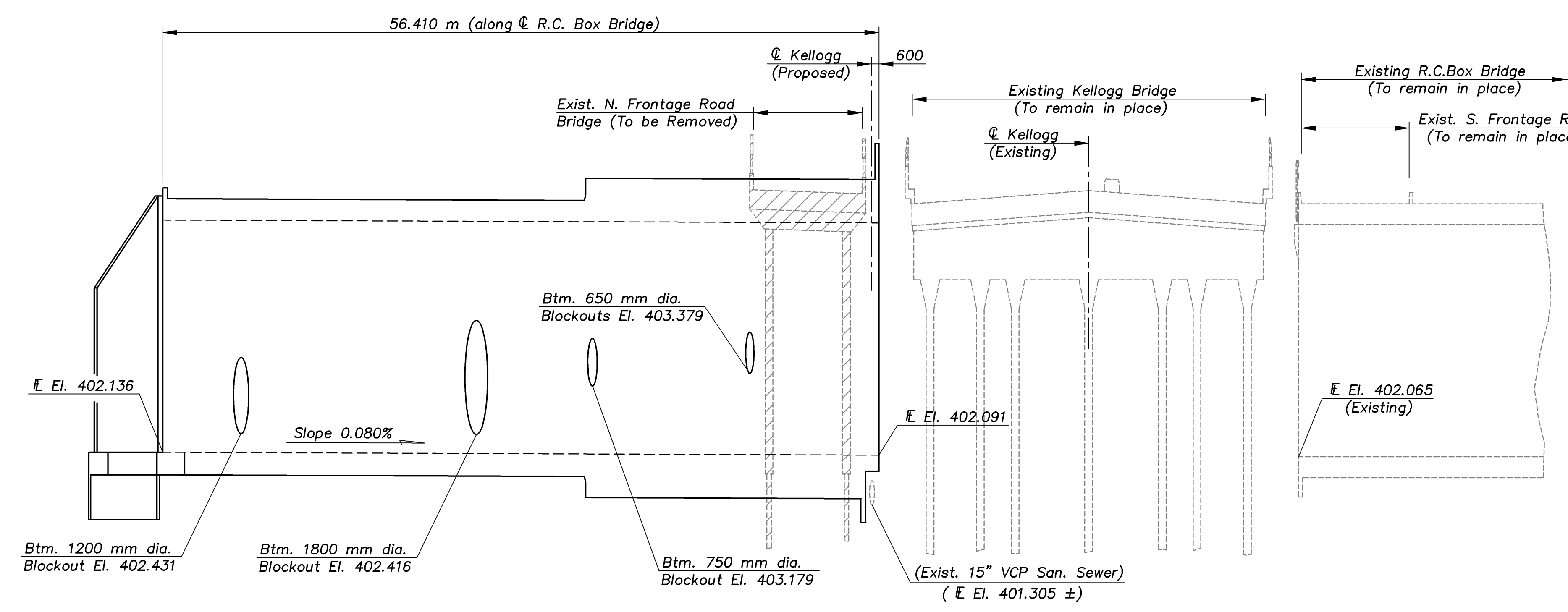


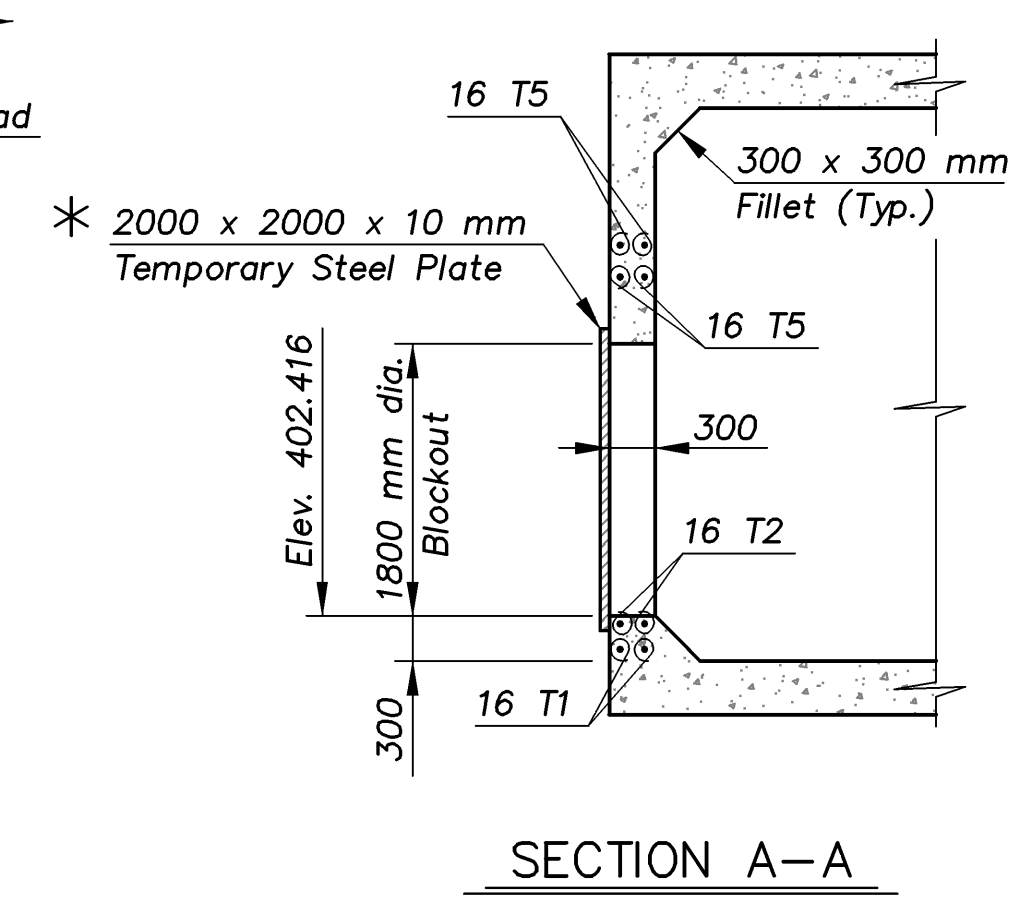
E.F. INDICATES EACH FACE.  
 N.F. INDICATES NEAR FACE.  
 F.F. INDICATES FAR FACE.

STATE	PROJECT NO.	YEAR	SHEET NO.	TOTAL SHEETS
KANSAS	54-87 K-8258-02	2003	23	76

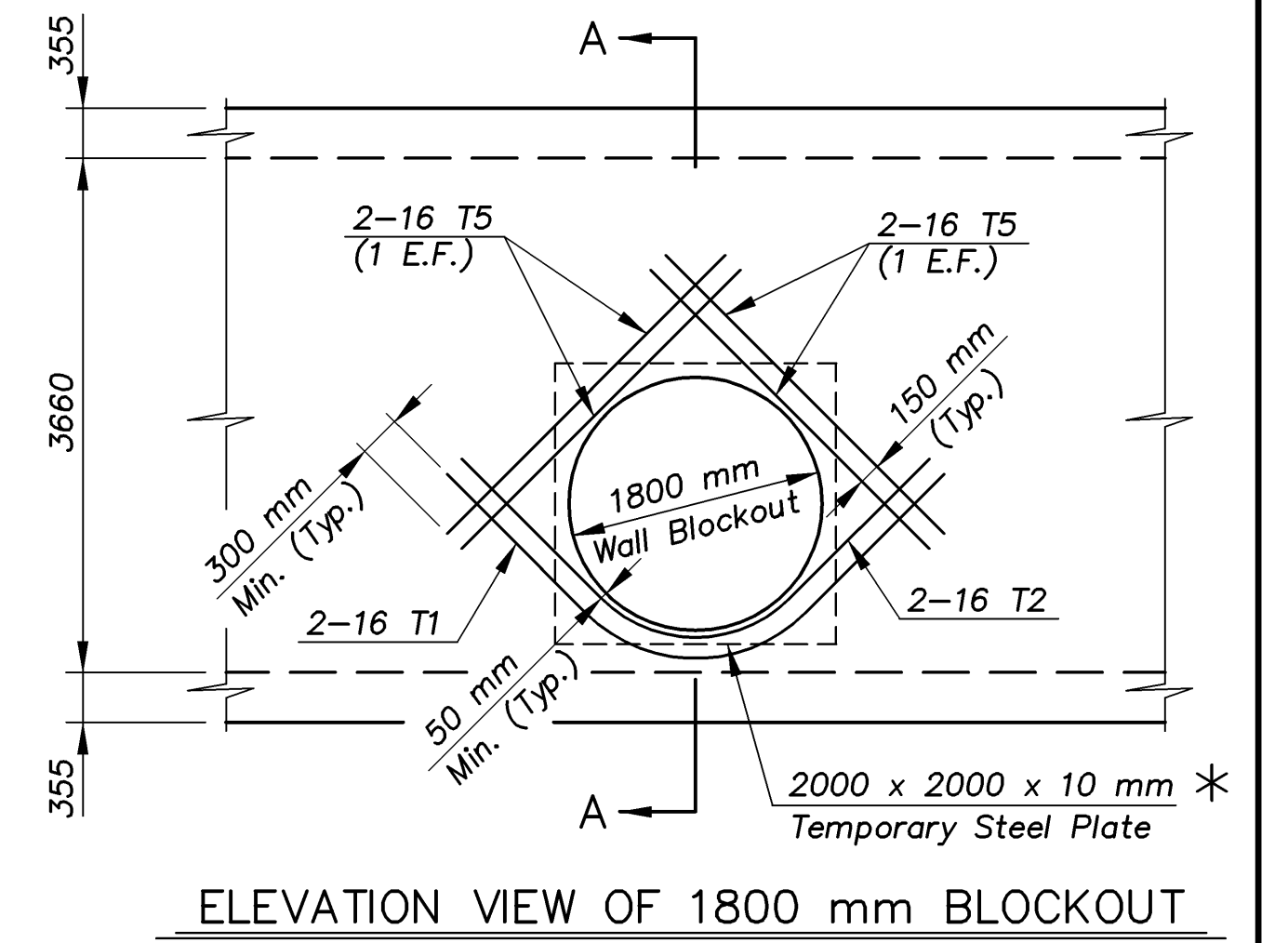


DEVELOPED ELEVATION ALONG CENTERLINE R.C. BOX BRIDGE EXTENSION

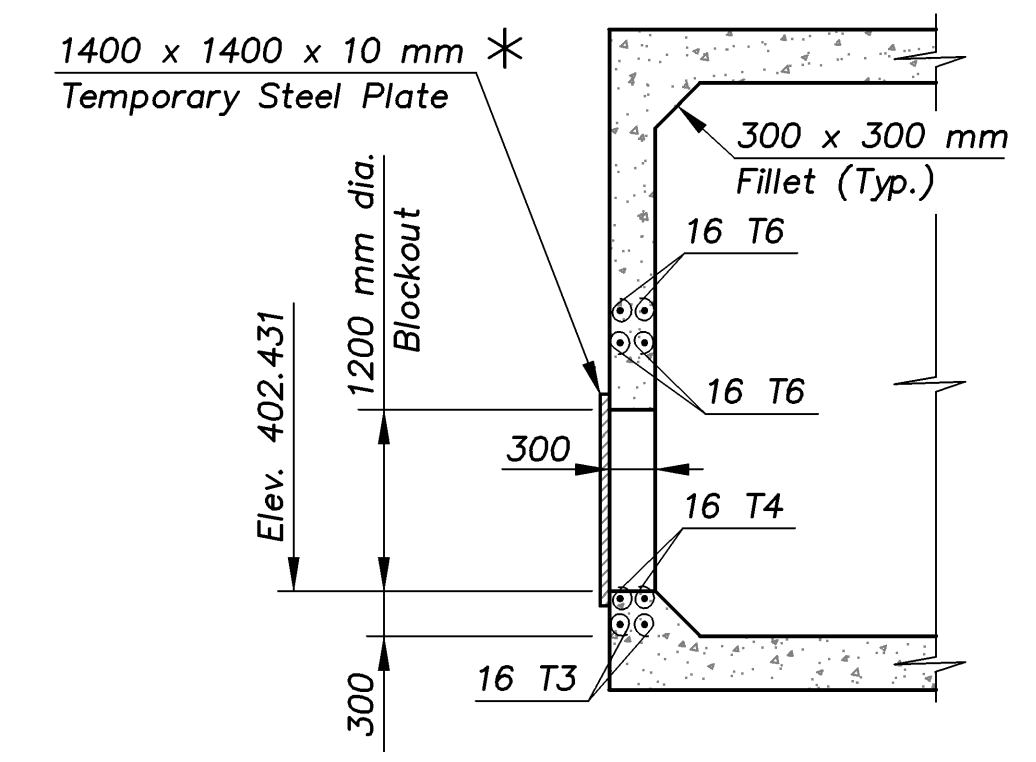
Scale: Horz. 1:250  
 Vert. 1:50



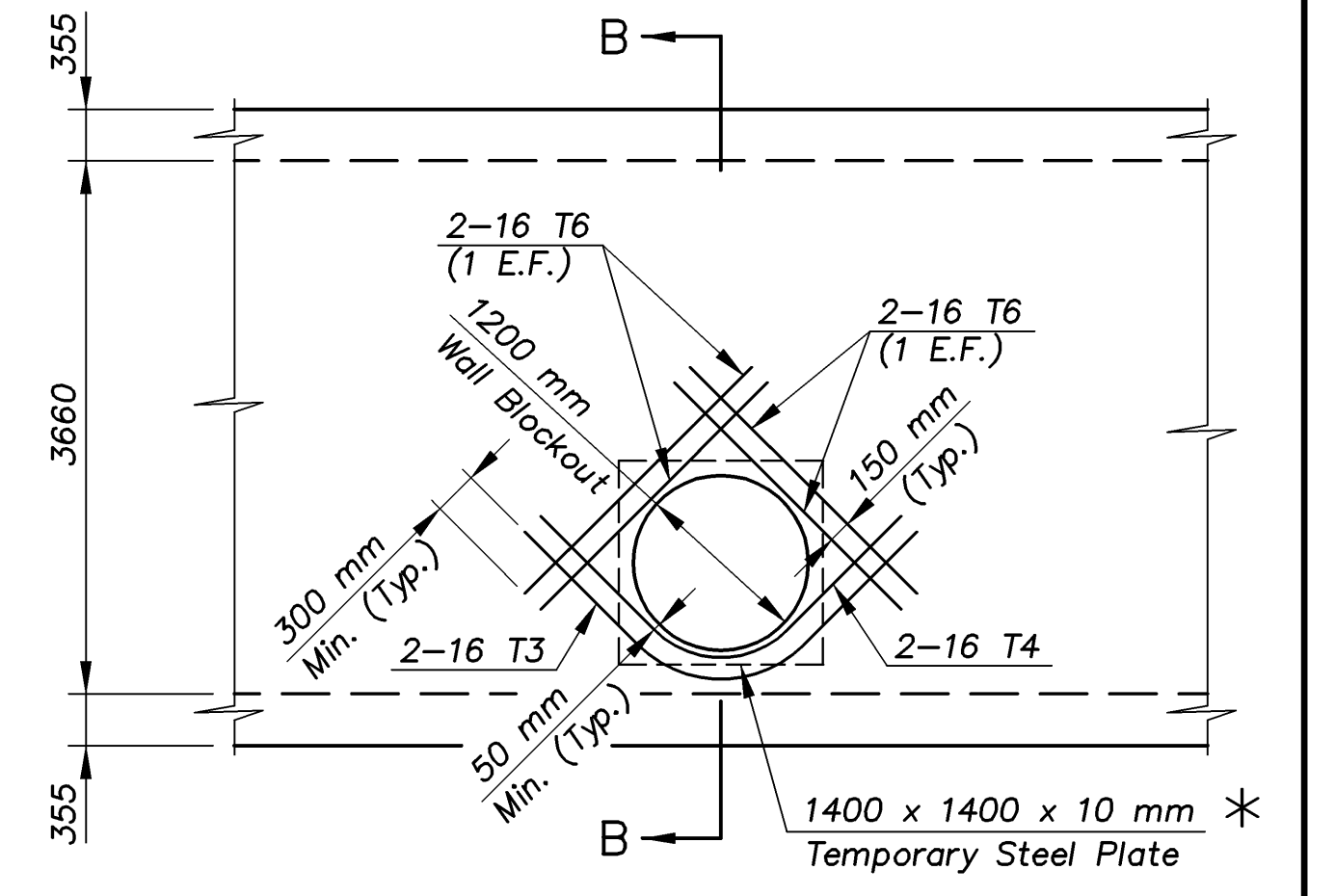
SECTION A-A



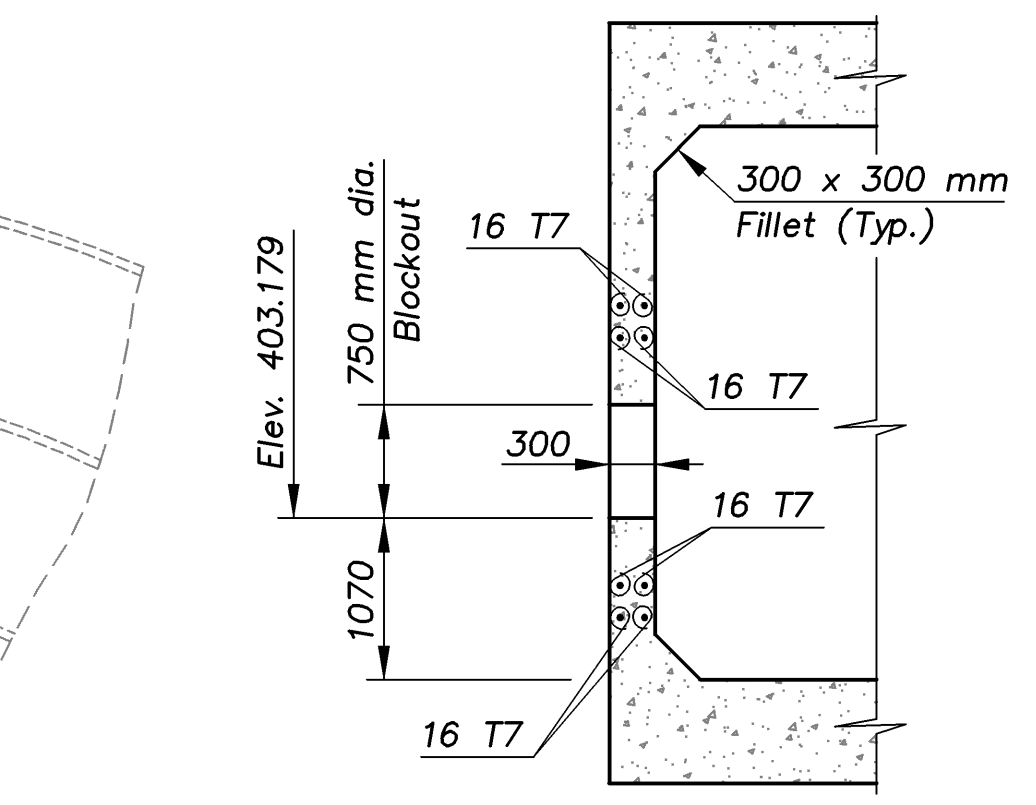
ELEVATION VIEW OF 1800 mm BLOCKOUT



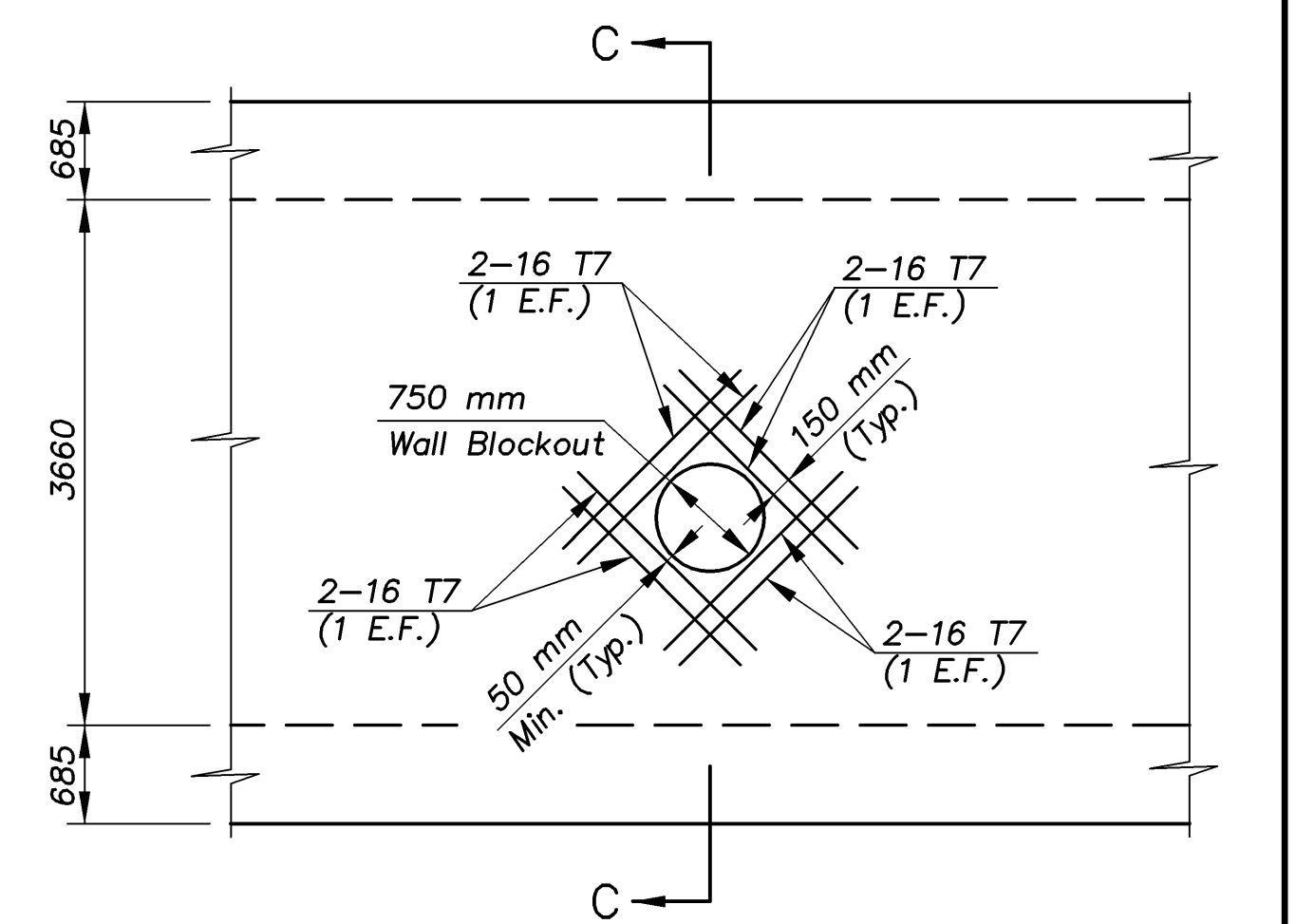
SECTION B-B



ELEVATION VIEW OF 1200 mm BLOCKOUT

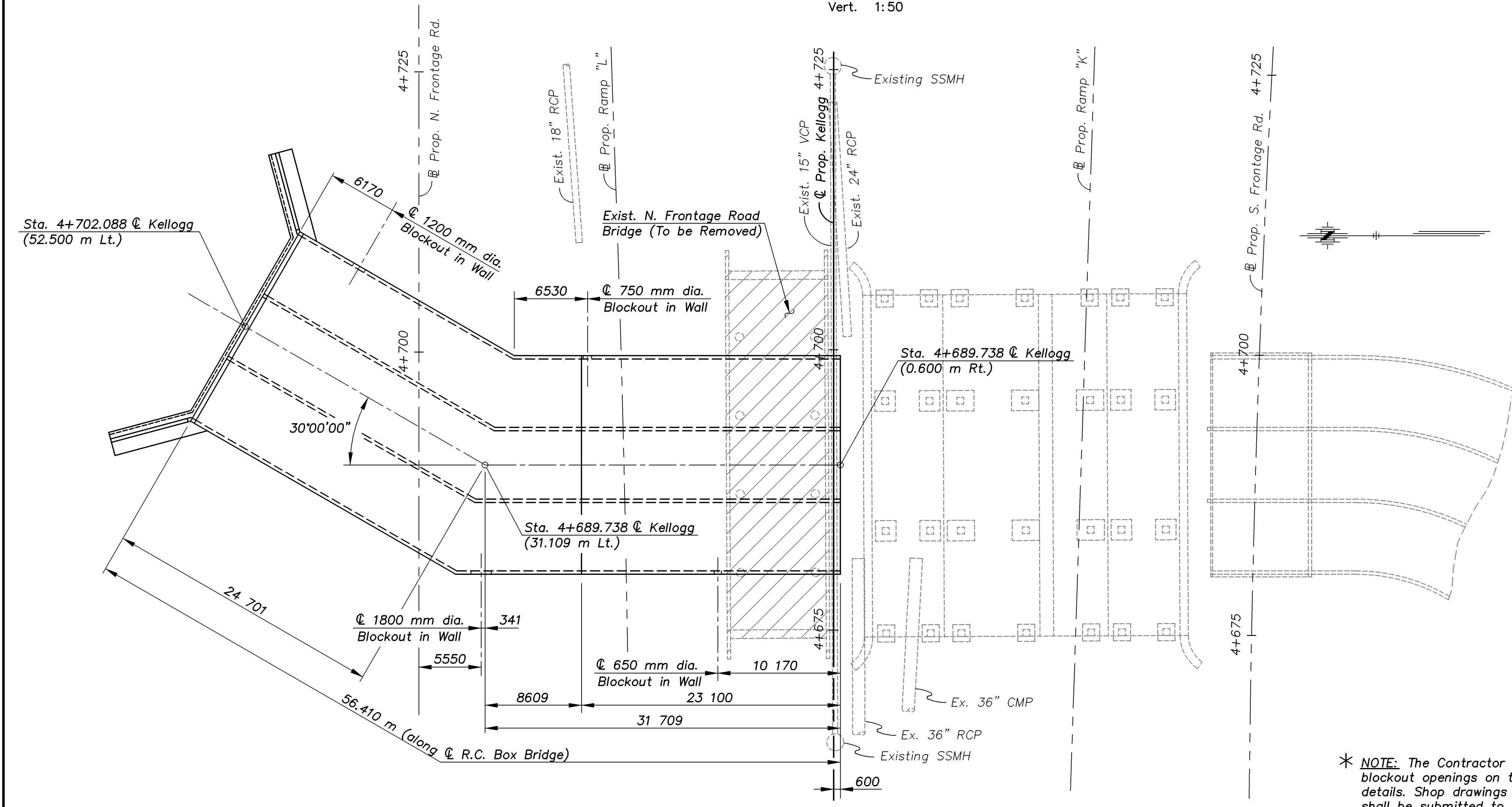


SECTION C-C



ELEVATION VIEW OF 750 mm BLOCKOUT

NOTE: The normal R.C.B. reinforcing (horizontal & vertical bars) shall be cut or bent, in the field, to provide 50 mm clearance to the various wall blockouts provided at future pipe locations.



PLAN OF R.C. BOX BRIDGE EXTENSION (Part "A")

Scale 1:250

\* NOTE: The Contractor shall install temporary steel plates over the breakout openings on the exterior face of walls as shown on the details. Shop drawings of the plates and the method of support shall be submitted to the Engineer for approval. All wall breakout locations shall be verified in the field. All materials and the labor necessary to furnish and install the temporary steel plates shall be Subsidiary to the bid item "Concrete (Grade 30) AE".

KANSAS DEPARTMENT OF TRANSPORTATION		BR. NO. 54-87-31.63(706)		STA. 4+689.738	
<b>TRIPLE 6.1 x 3.7 m R.C.B.</b>					
<b>GENERAL LAYOUT (Part "A")</b>					
DESIGNED	R.S.C.	SCALE	Varies		
DETAILED	T.R.G.	DATE			
QUANTITIES	T.R.G.	SHEET	2 OF 13		

J:\010266\GYPSUM\DETAILS 1:250