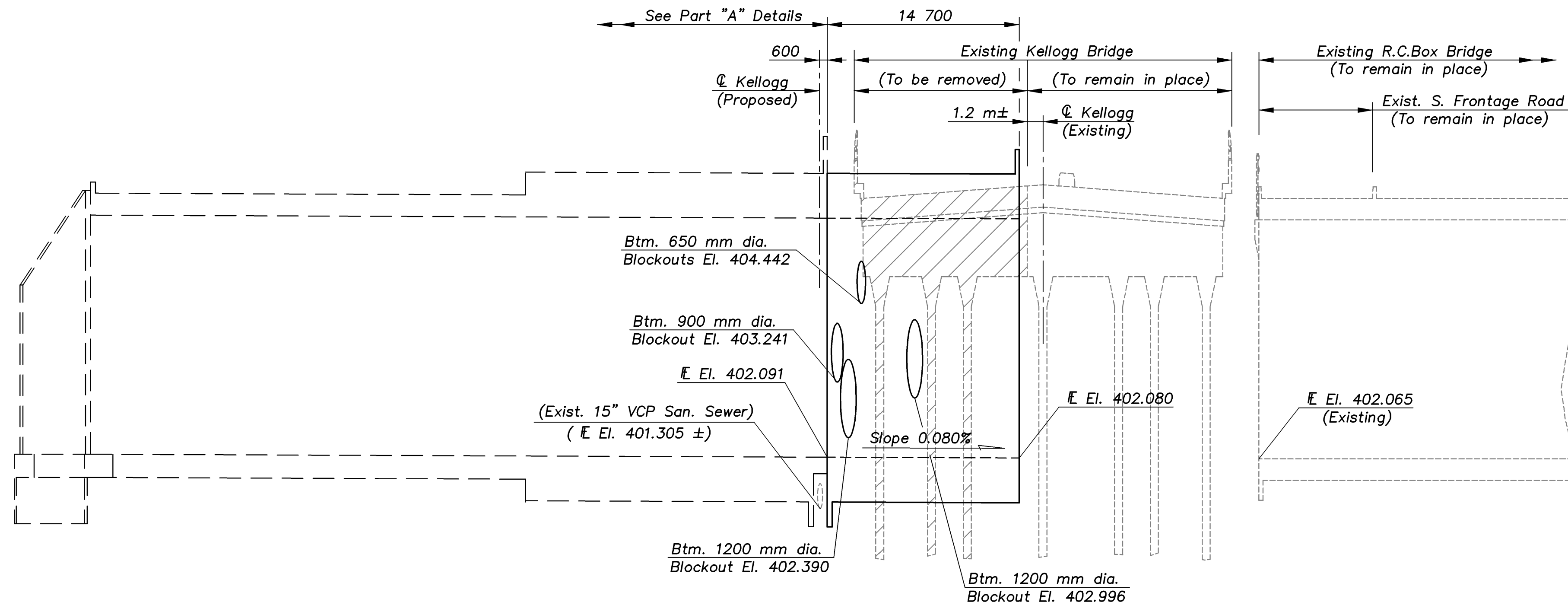


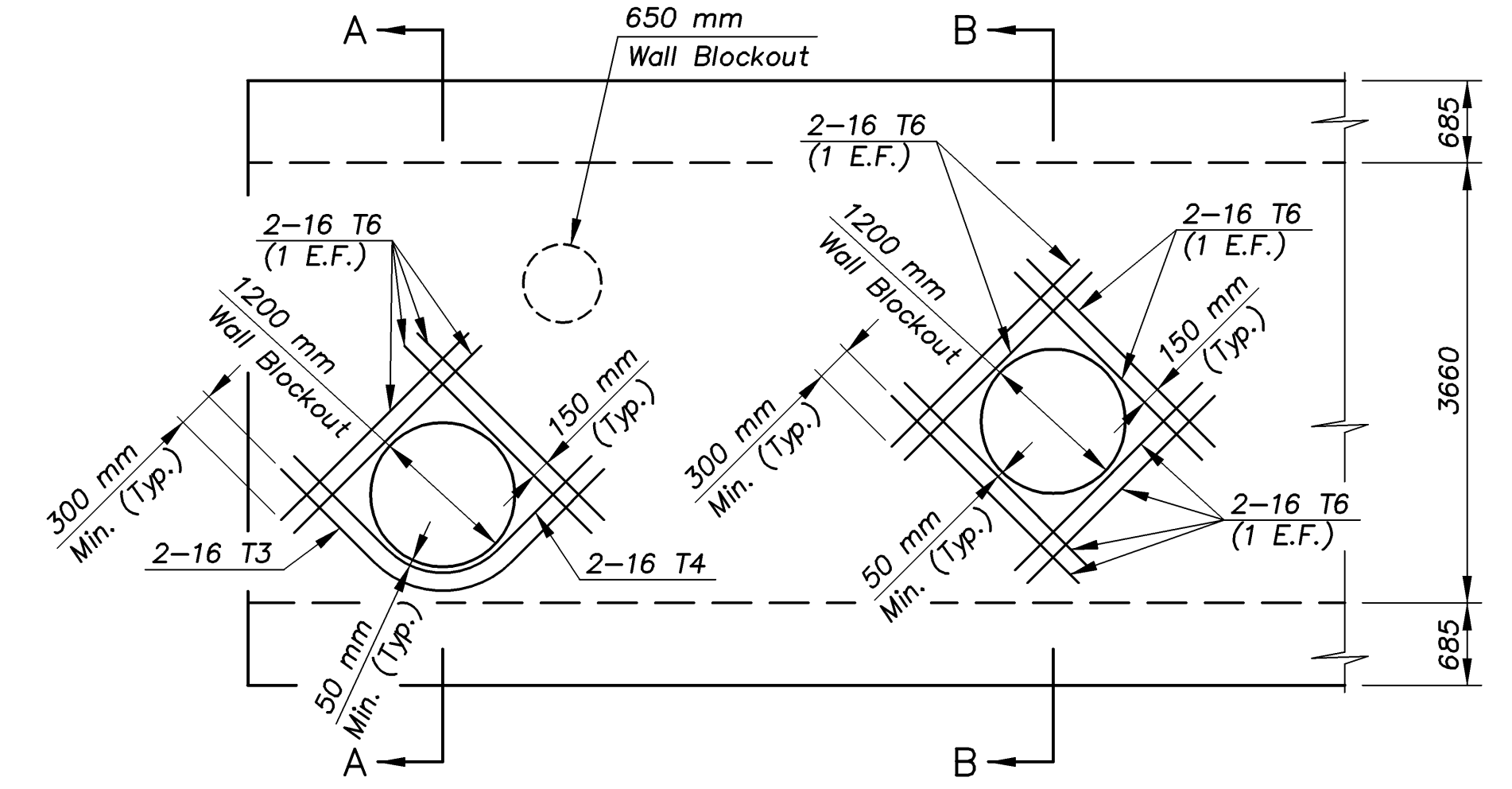
STATE	PROJECT NO.	YEAR	SHEET NO.	TOTAL SHEETS
KANSAS	54-87 K-8258-02	2003	28	76

E.F. INDICATES EACH FACE.
N.F. INDICATES NEAR FACE.
F.F. INDICATES FAR FACE.

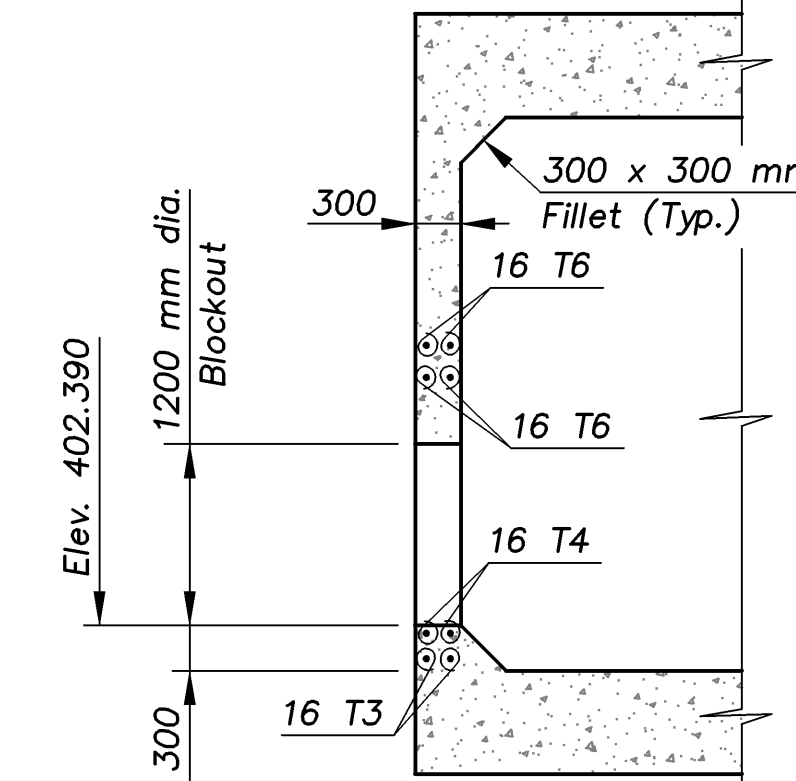


DEVELOPED ELEVATION ALONG CENTERLINE R.C. BOX BRIDGE EXTENSION

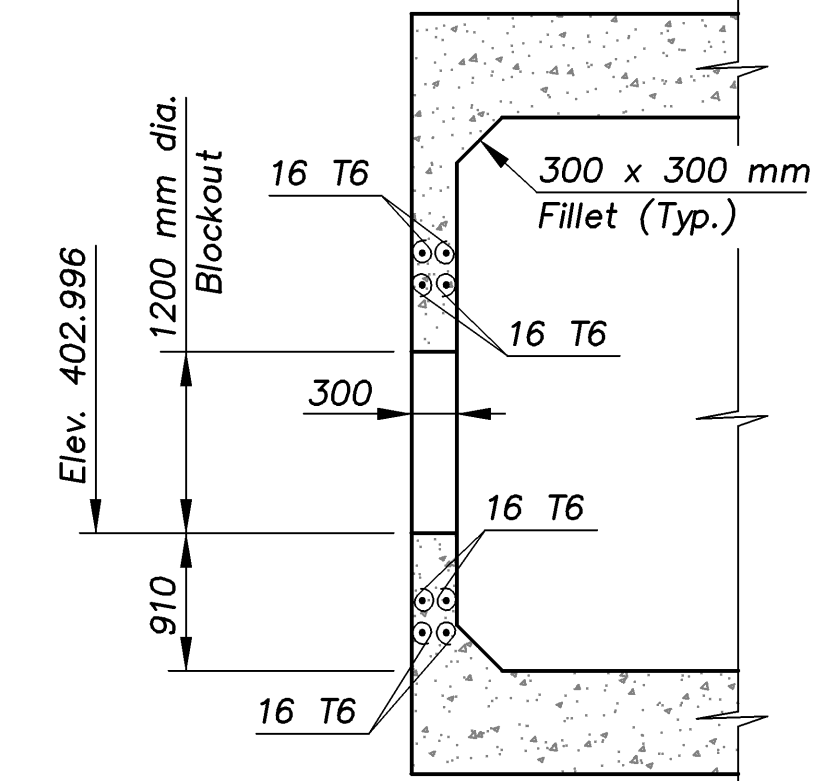
Scale: Horz. 1:250
Vert. 1:50



ELEVATION VIEW OF 1200 mm BLOCKOUTS

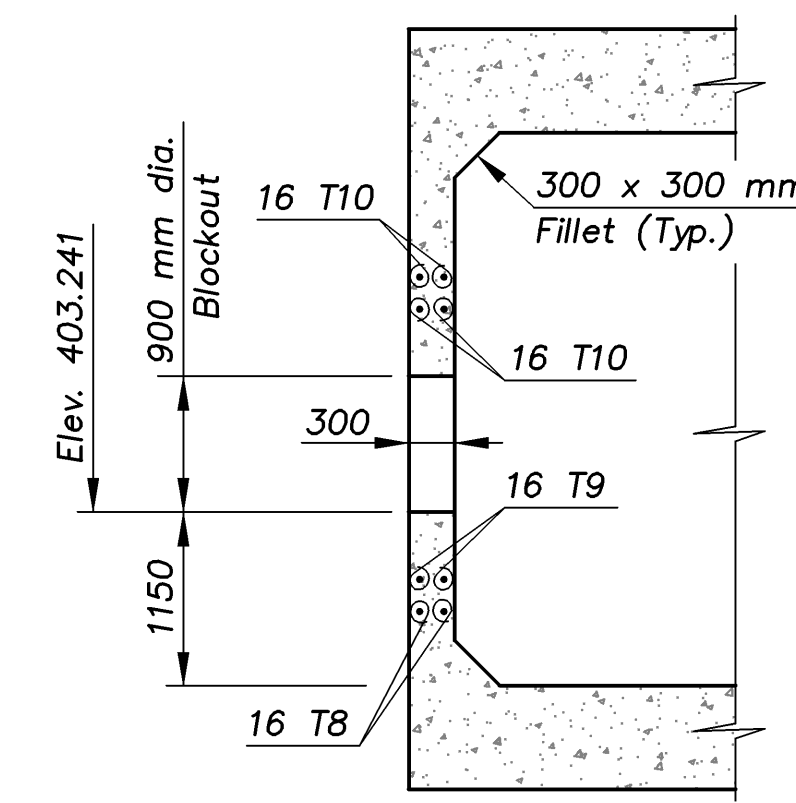


SECTION A-A

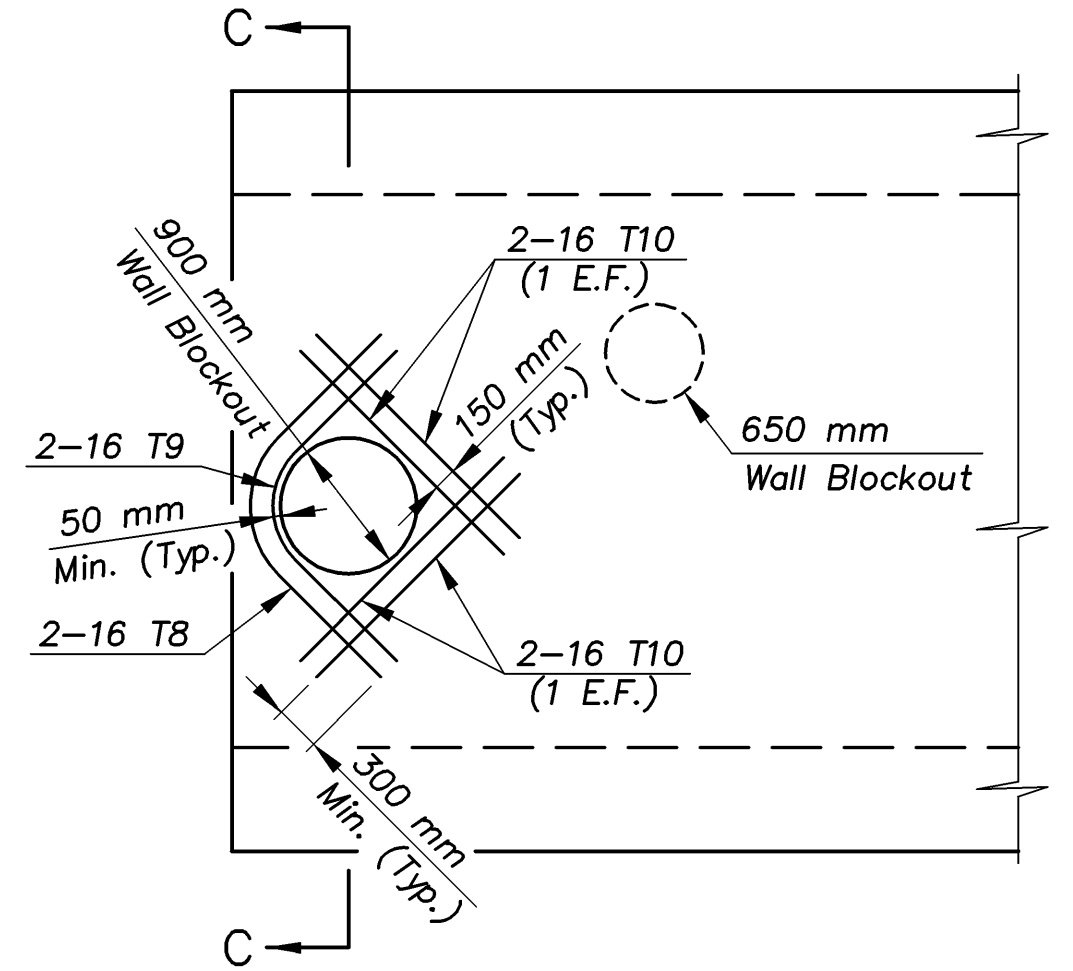


SECTION B-B

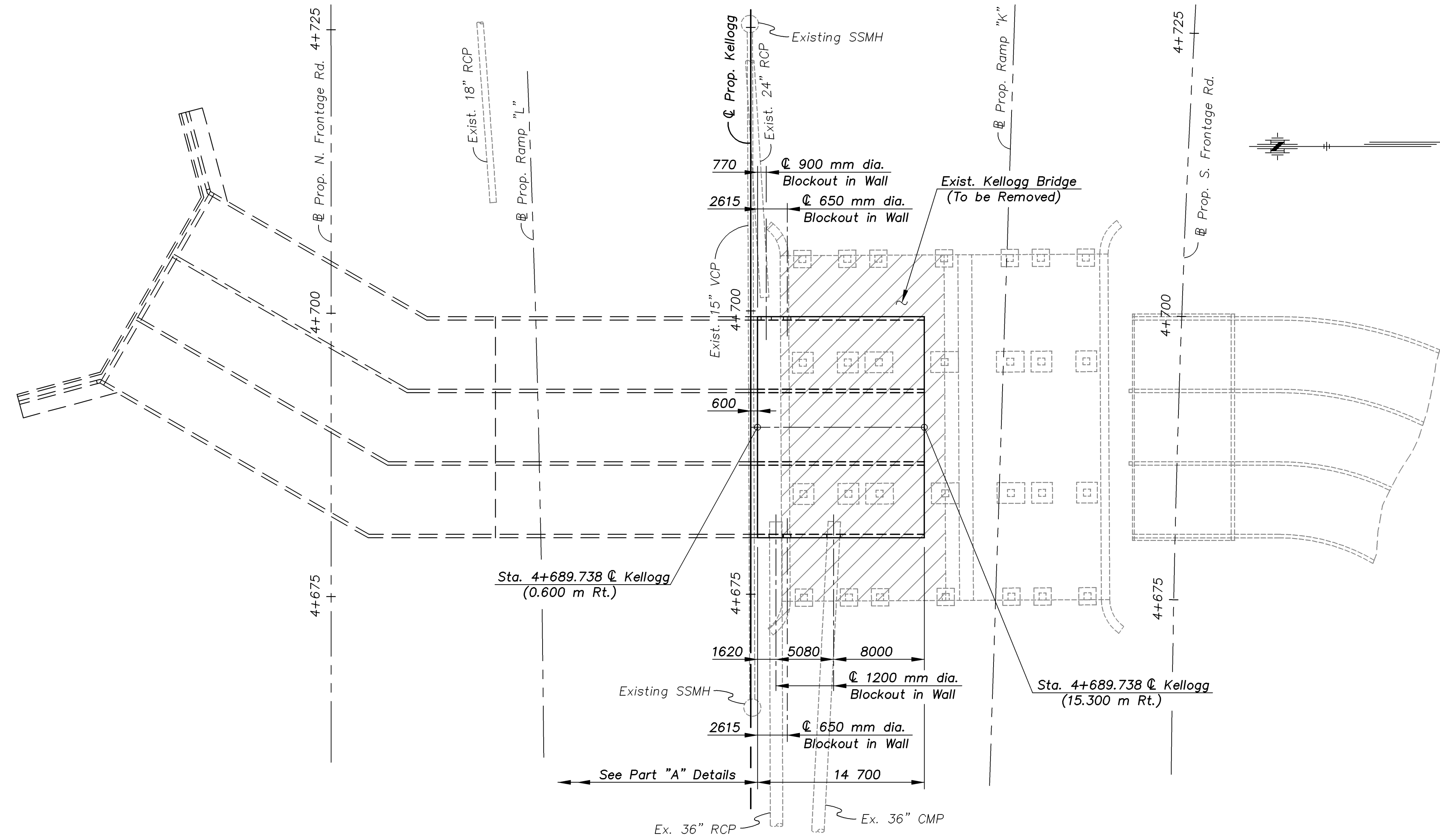
NOTE: The normal R.C.B. reinforcing (horizontal & vertical bars) shall be cut or bent, in the field, to provide 50 mm clearance to the various wall blockouts provided at existing pipe locations.



SECTION C-C



ELEVATION VIEW OF 900 mm BLOCKOUT



PLAN OF R.C. BOX BRIDGE EXTENSION (Part "B")

Scale 1:250

KANSAS DEPARTMENT OF TRANSPORTATION
BR. NO. 54-87-31.63(706) STA. 4+689.738

TRIPLE 6.1 x 3.7 m R.C.B.
GENERAL LAYOUT (Part "B")

Proj. No. 54-87 K-8258-02 SEDGWICK COUNTY



DESIGNED R.S.C. SCALE Varies
DETAILED T.R.G. DATE
QUANTITIES T.R.G. SHEET 7 OF 13

J:\010266\GYPSUM\DETAILS 1:250