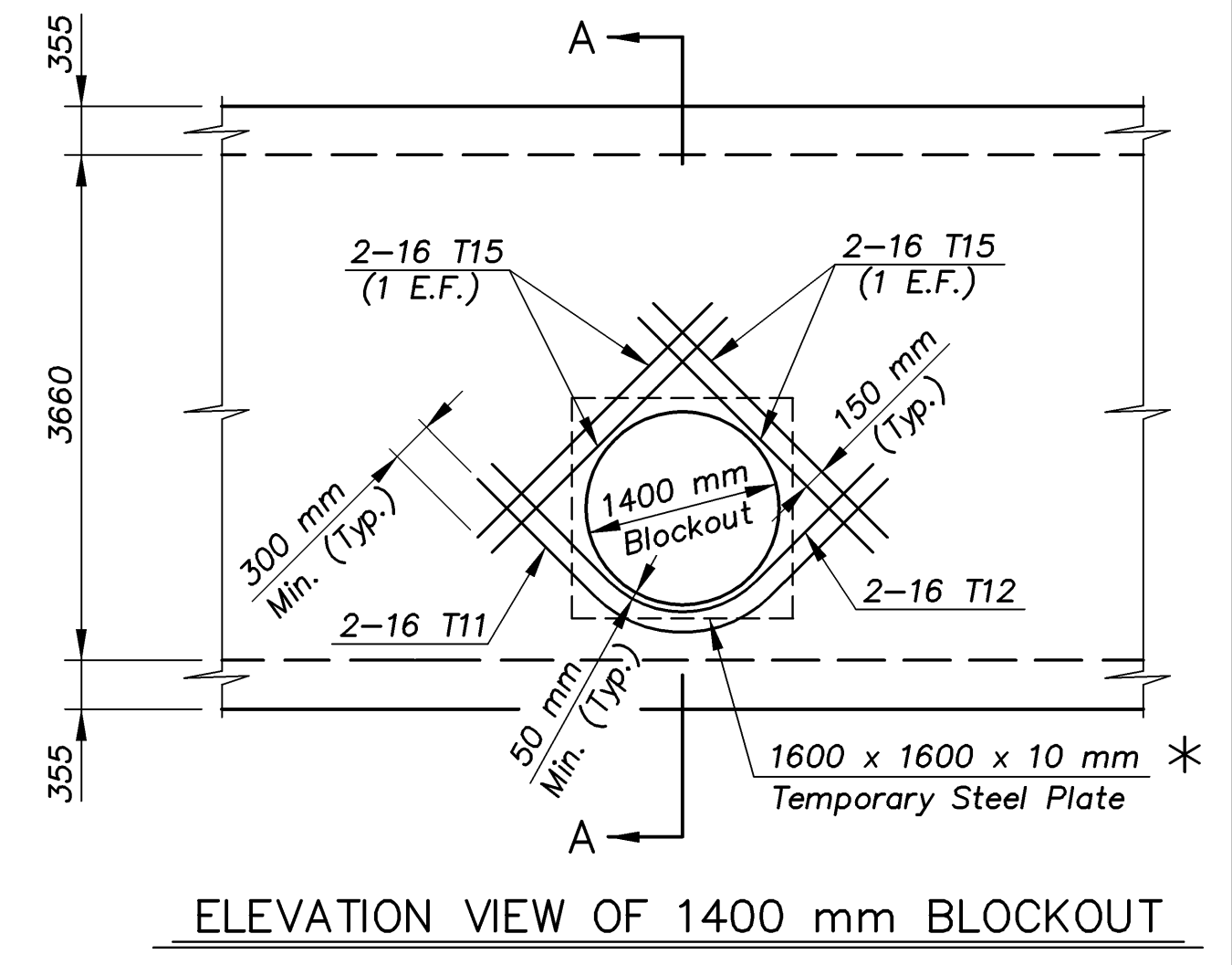
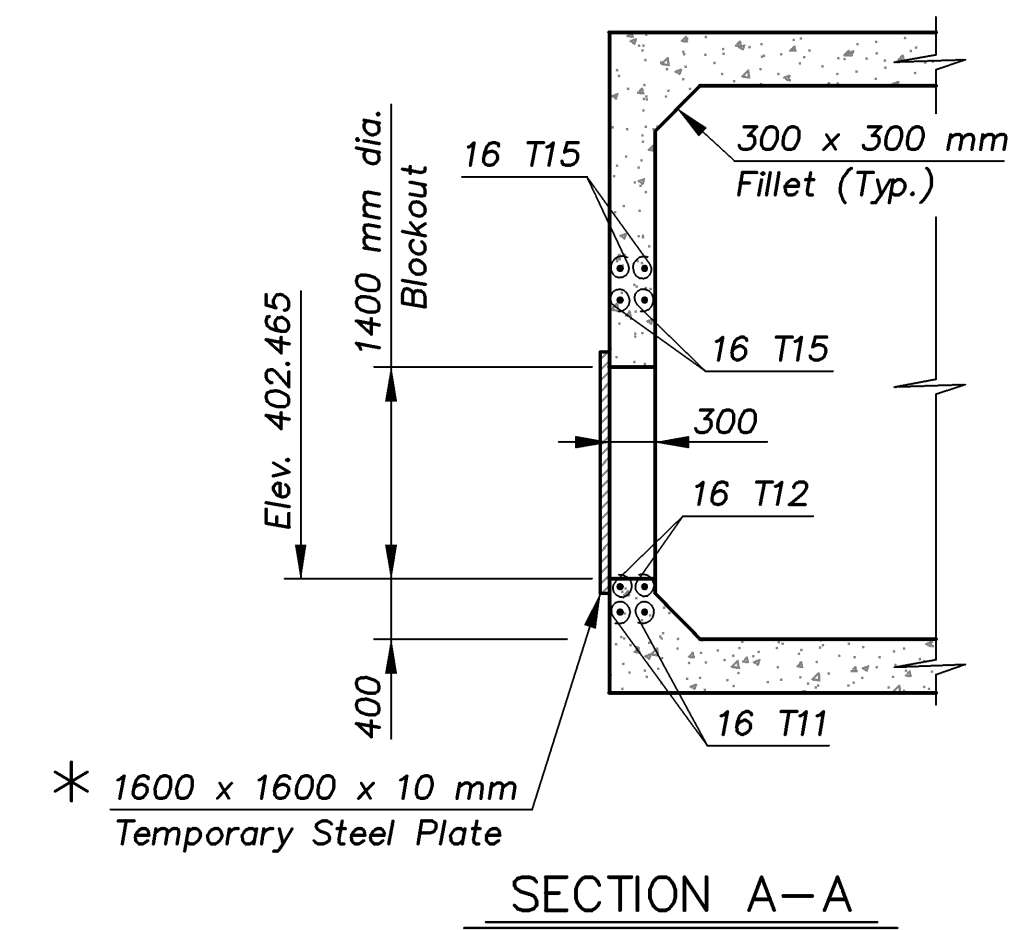
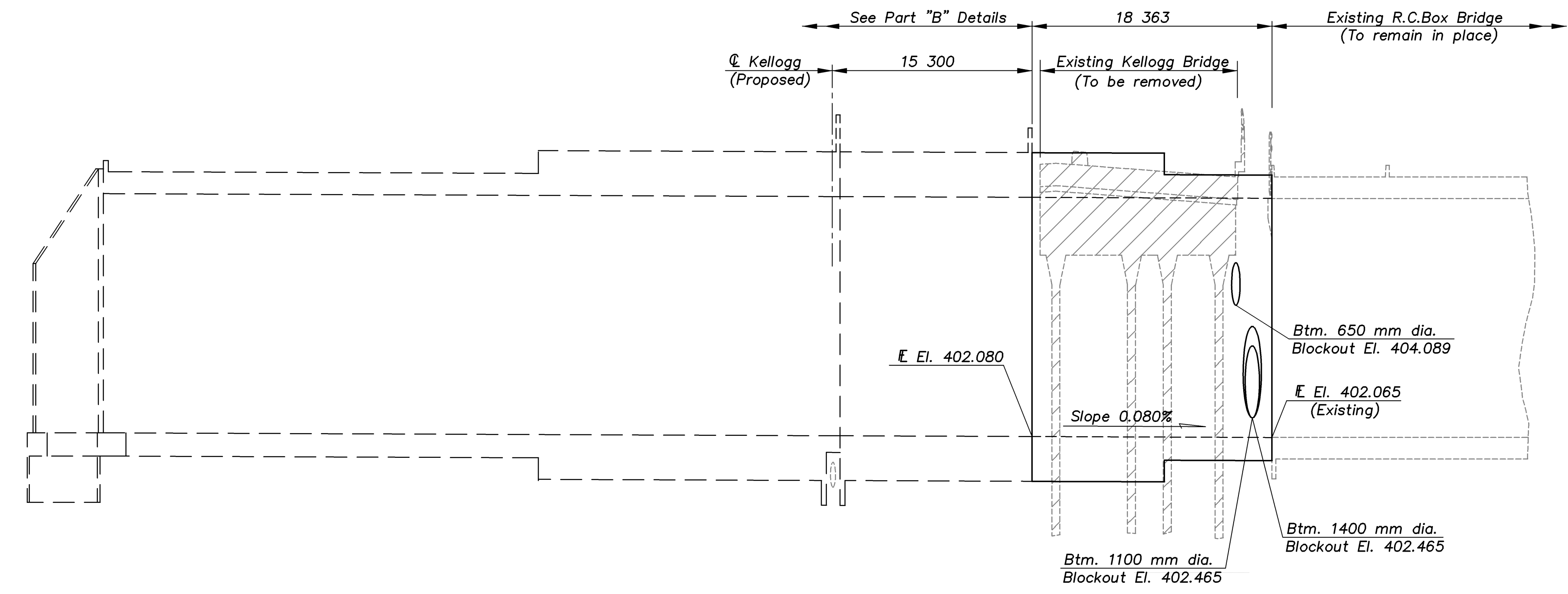


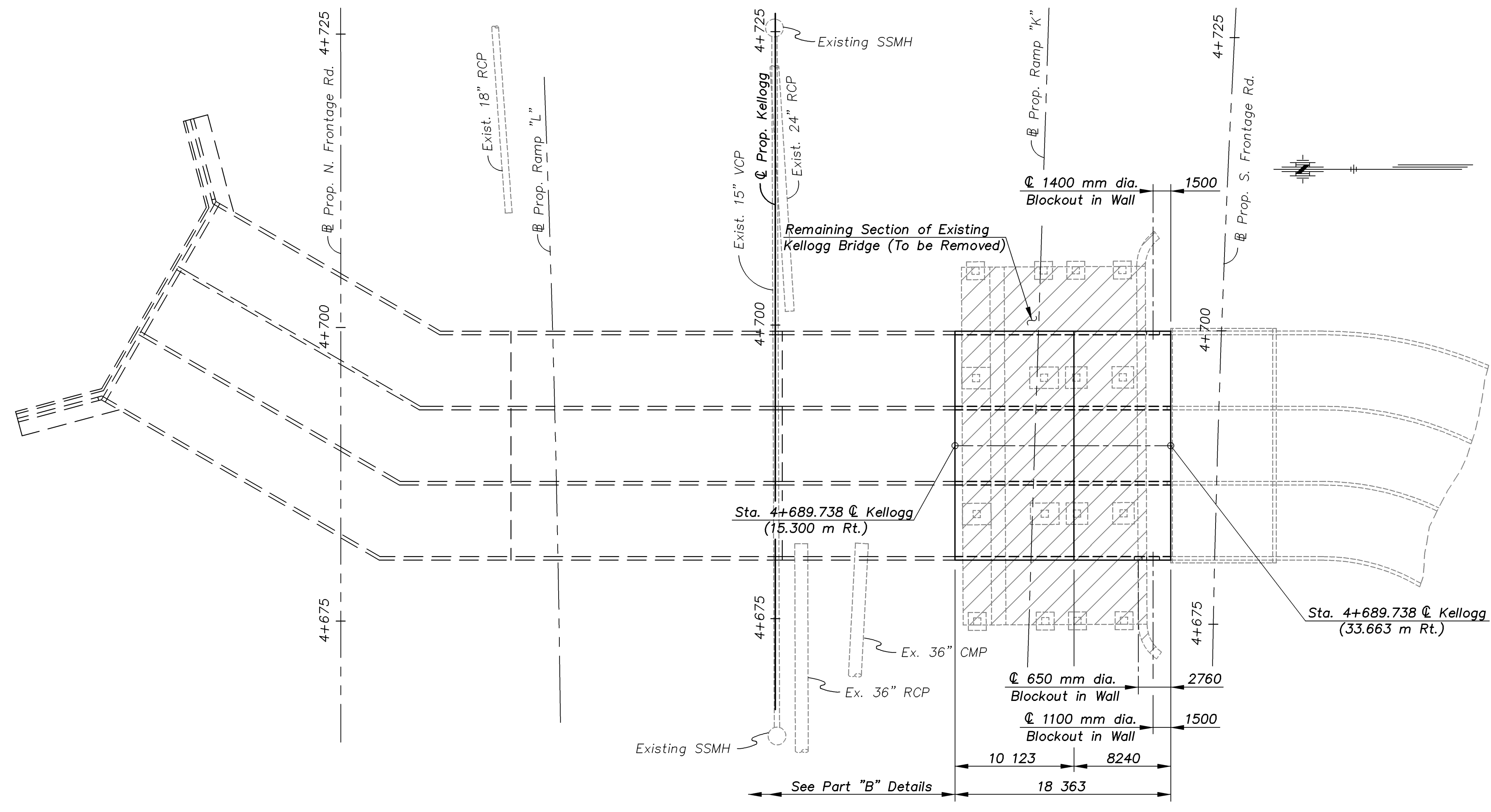
E.F. INDICATES EACH FACE.  
 N.F. INDICATES NEAR FACE.  
 F.F. INDICATES FAR FACE.

STATE	PROJECT NO.	YEAR	SHEET NO.	TOTAL SHEETS
KANSAS	54-87 K-8258-02	2003	30	76



**DEVELOPED ELEVATION ALONG CENTERLINE R.C. BOX BRIDGE EXTENSION**  
 Scale: Horz. 1:250  
 Vert. 1:50

**NOTE:** The normal R.C.B. reinforcing (horizontal & vertical bars) shall be cut or bent, in the field, to provide 50 mm clearance to the various wall blockouts provided at future pipe locations.



**PLAN OF R.C. BOX BRIDGE EXTENSION (Part "C")**  
 Scale 1:250

KANSAS DEPARTMENT OF TRANSPORTATION  
 BR. NO. 54-87-31.63(706) STA. 4+689.738

**TRIPLE 6.1 x 3.7 m R.C.B.  
 GENERAL LAYOUT (Part "C")**

Proj. No. 54-87 K-8258-02 SEDGWICK COUNTY

**Cook, Flatt & Strobel**  
 ENGINEERS, P.A.

DESIGNED	R.S.C.	SCALE	Varies
DETAILED	T.R.G.	DATE	
QUANTITIES	T.R.G.	SHEET	9 of 13

J:\01\026E\GYPSUM\DETAILS 1:250