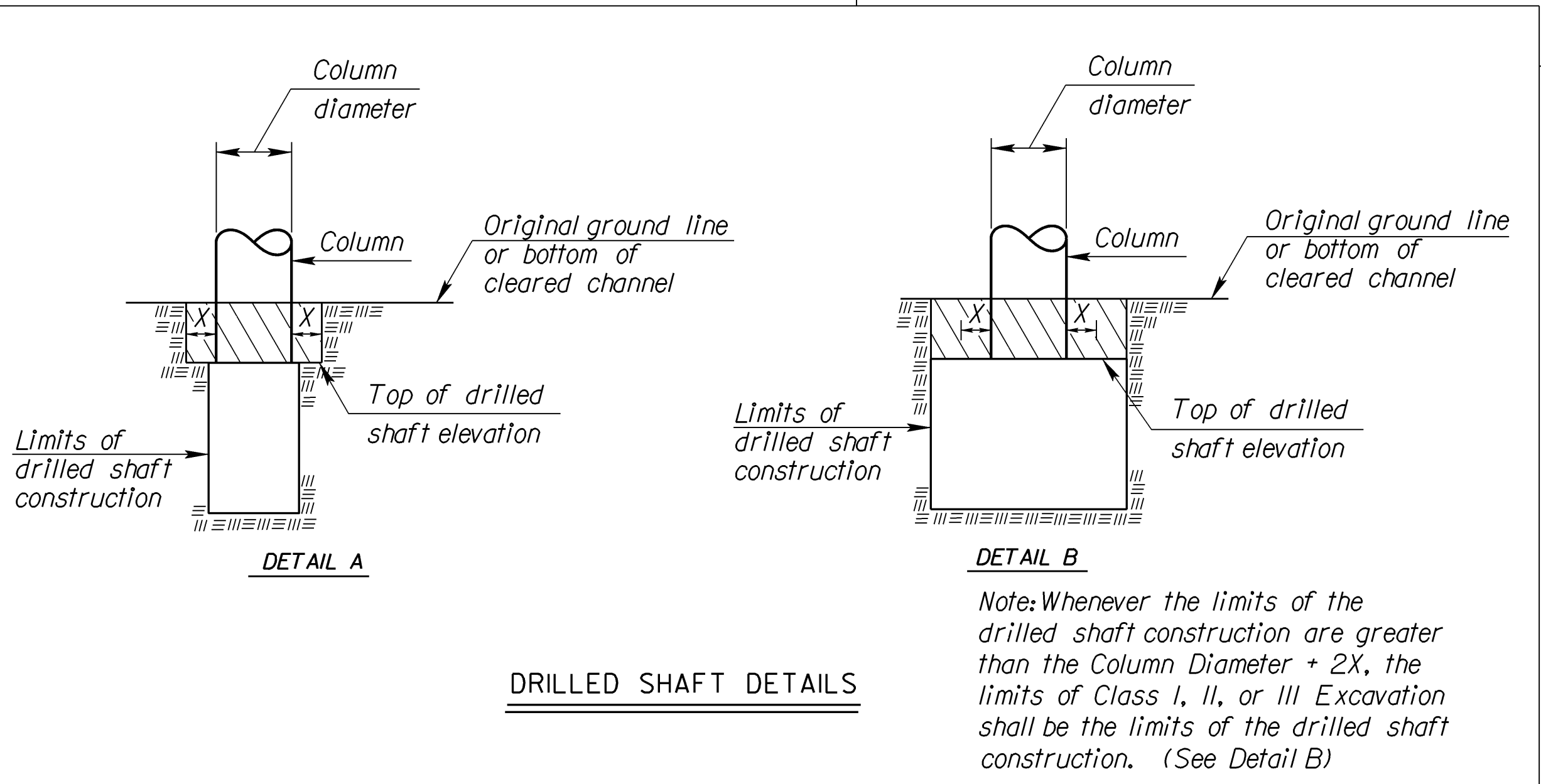
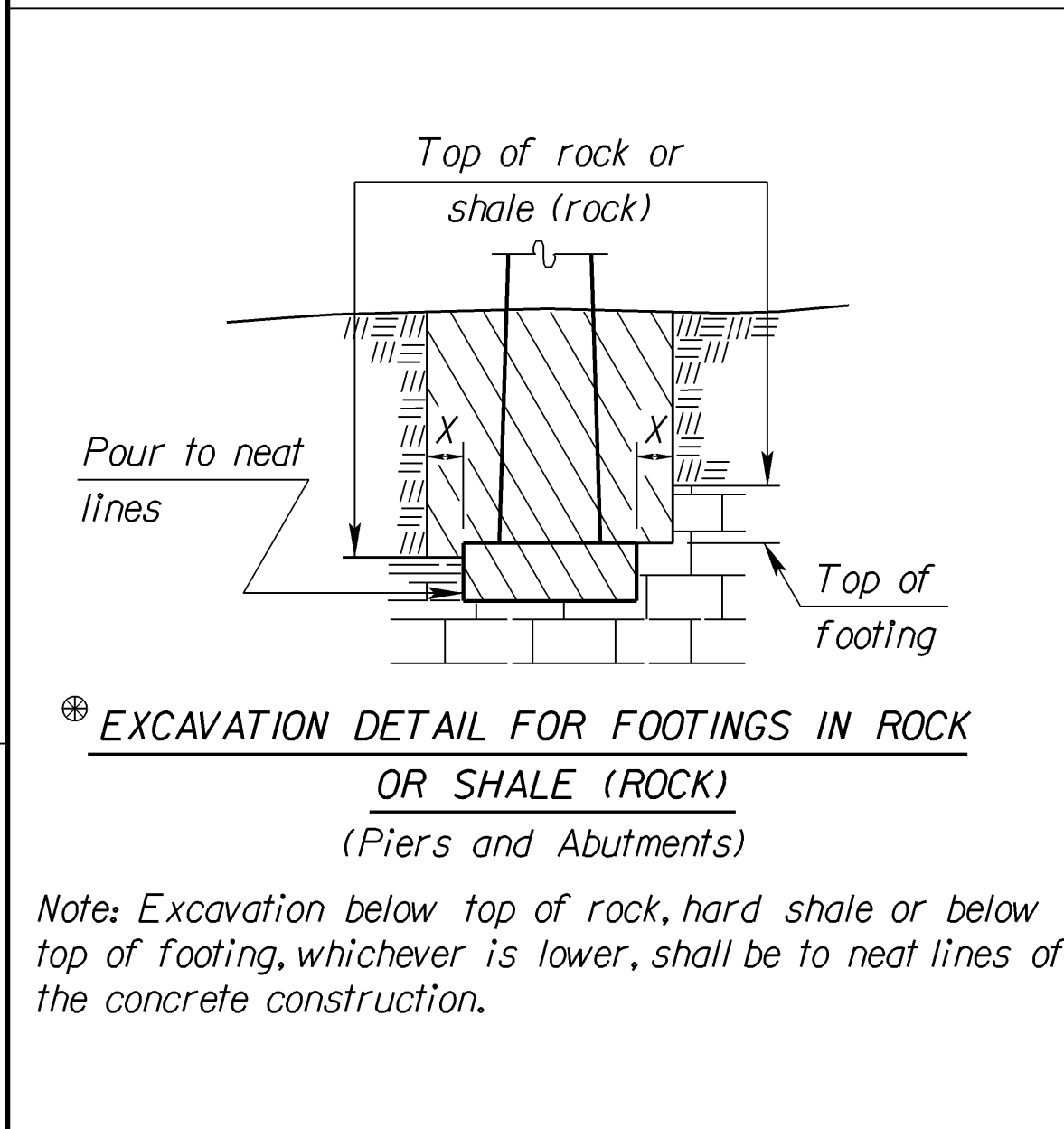
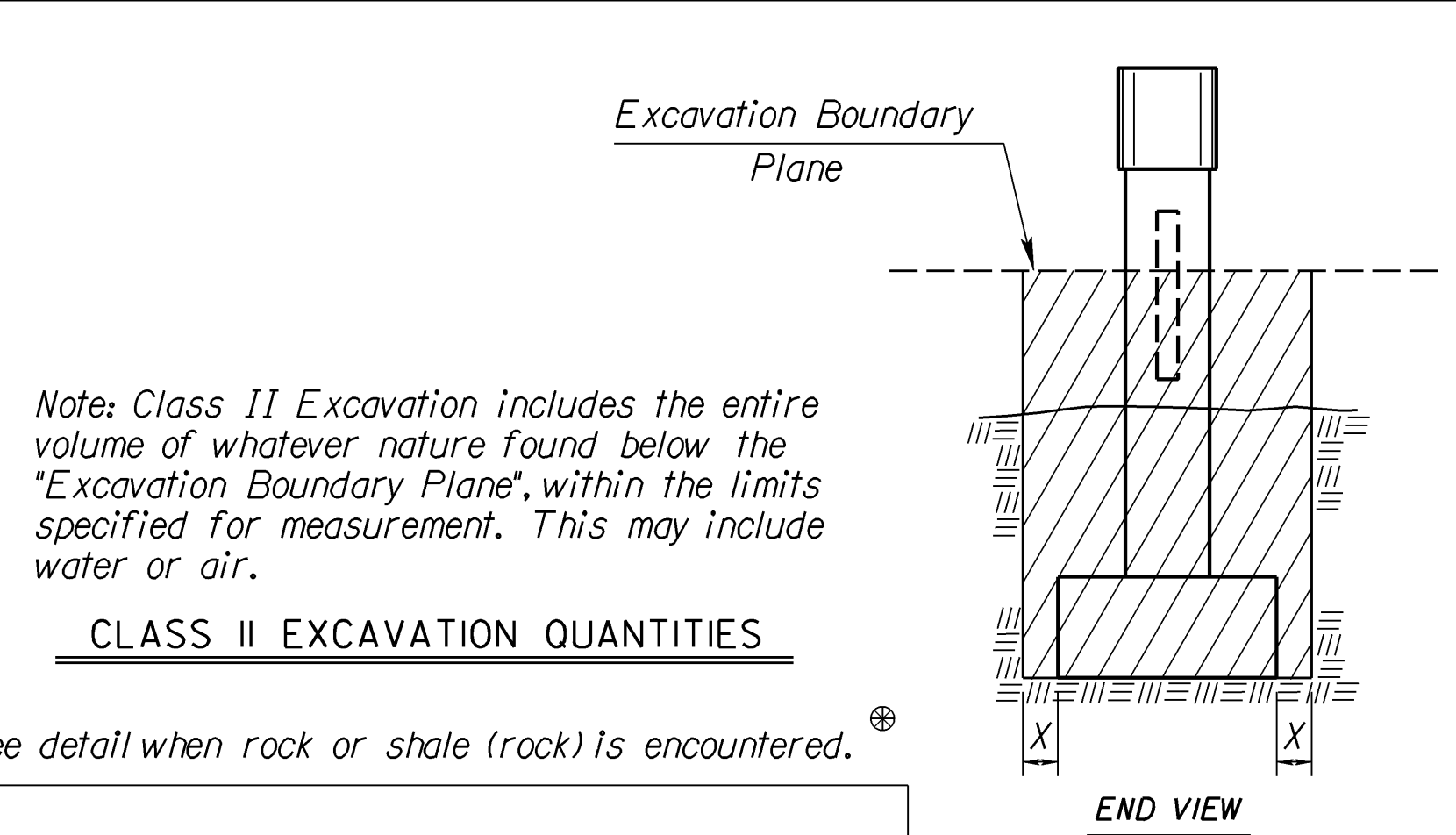
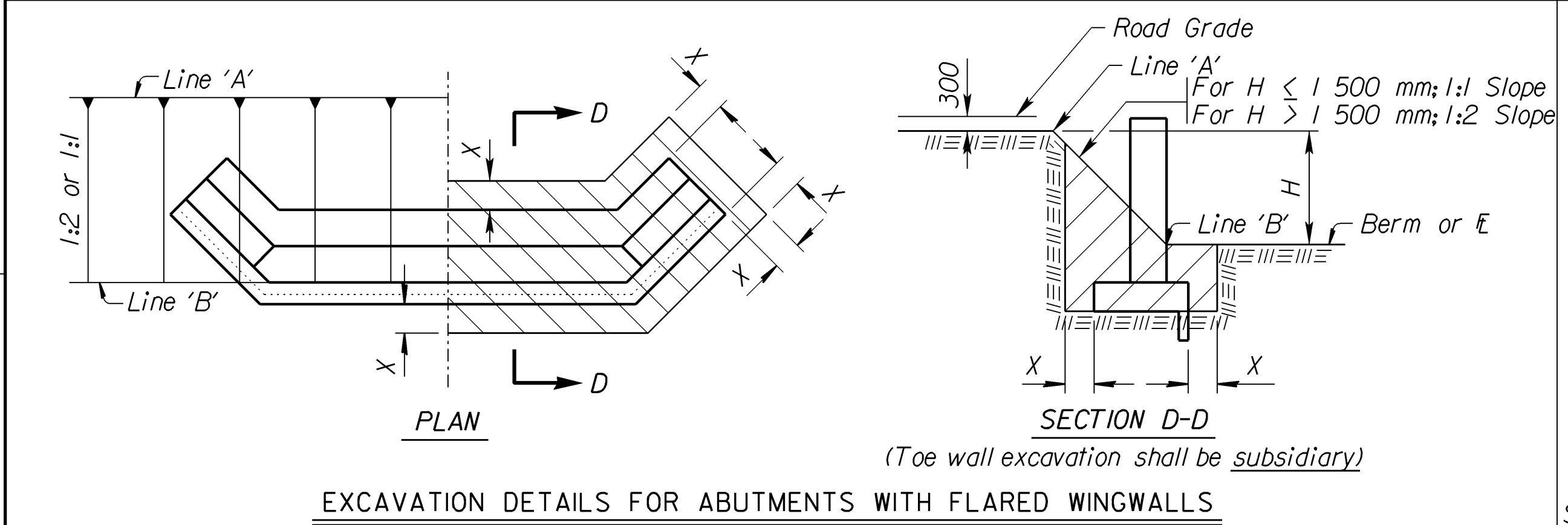
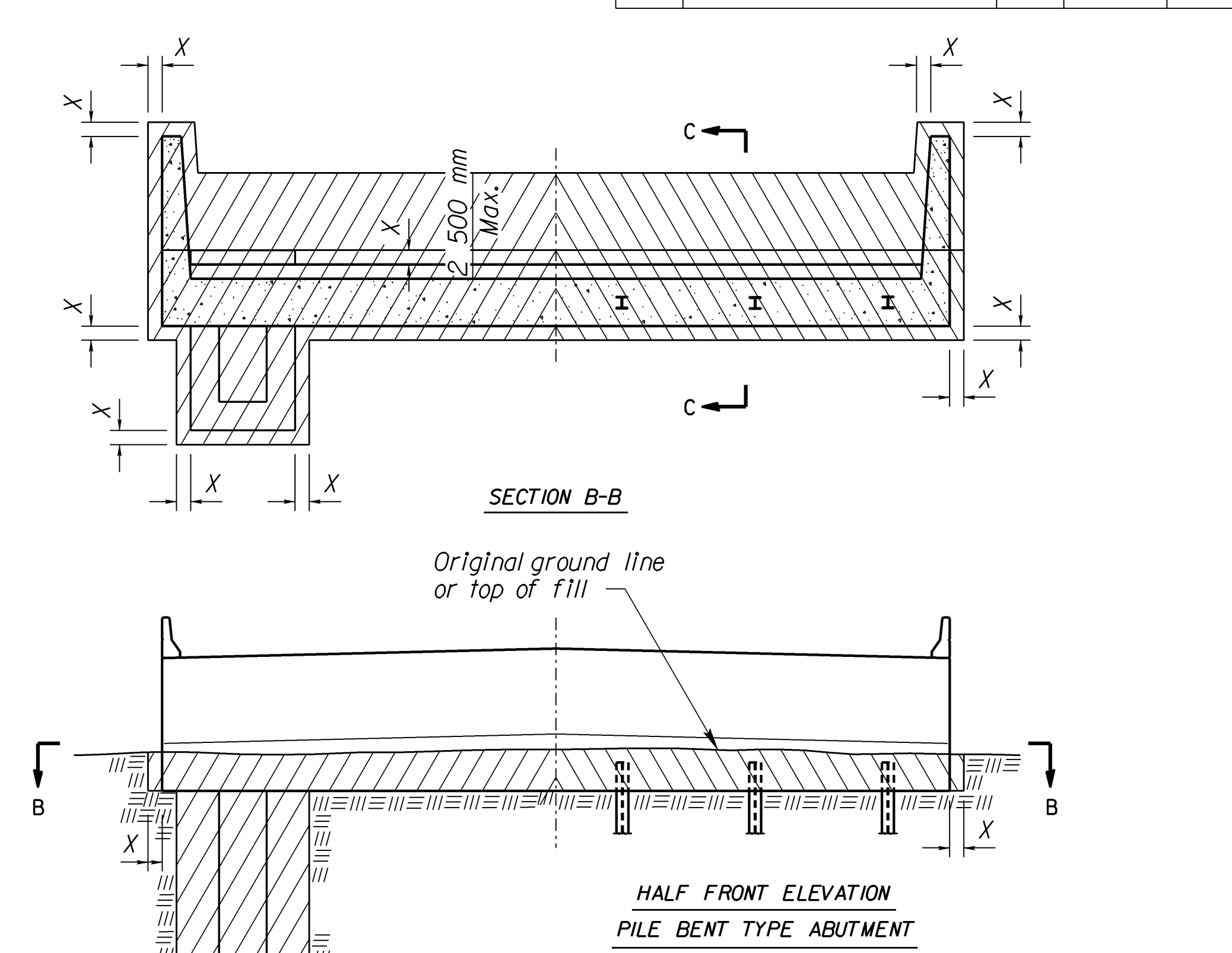
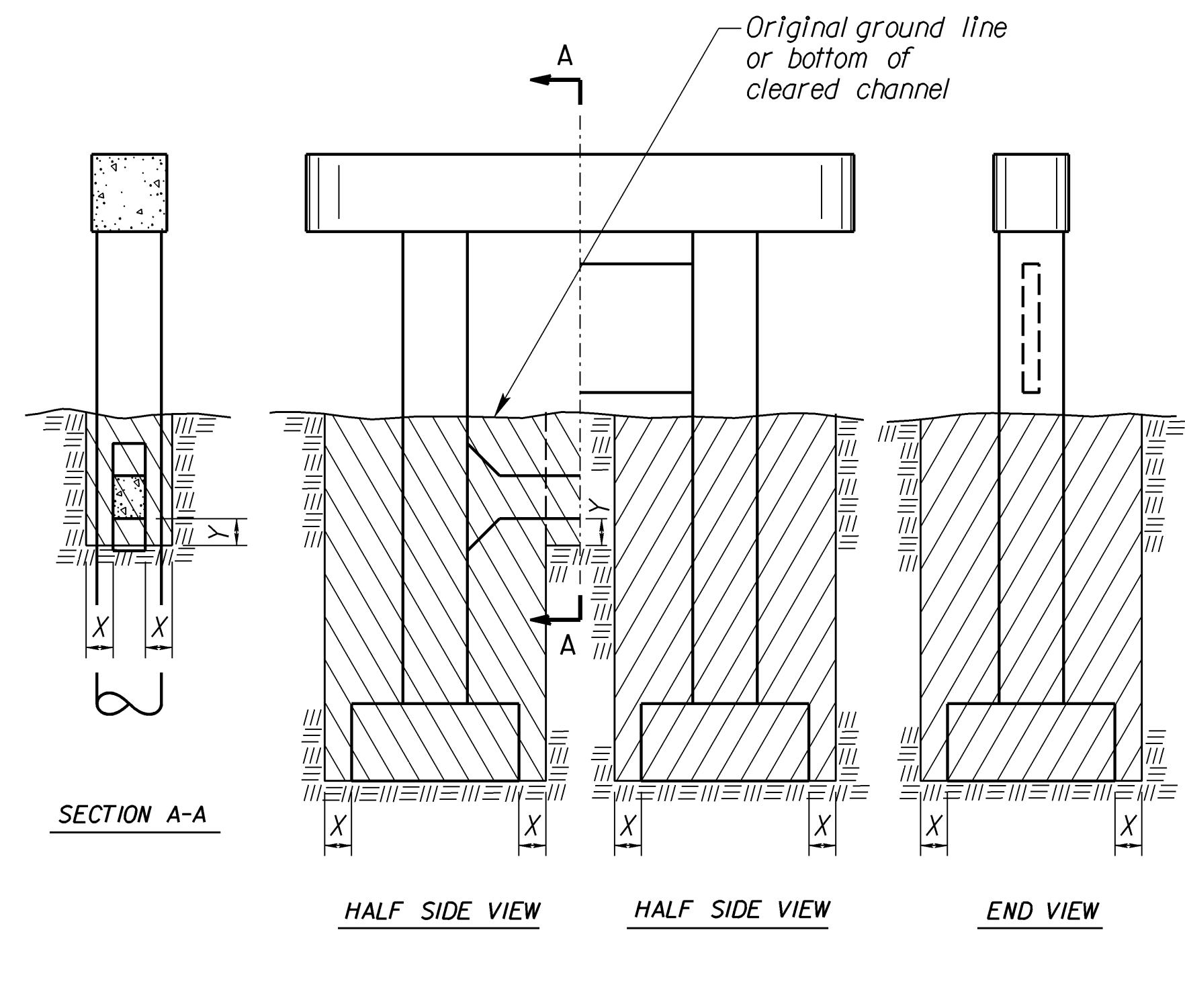
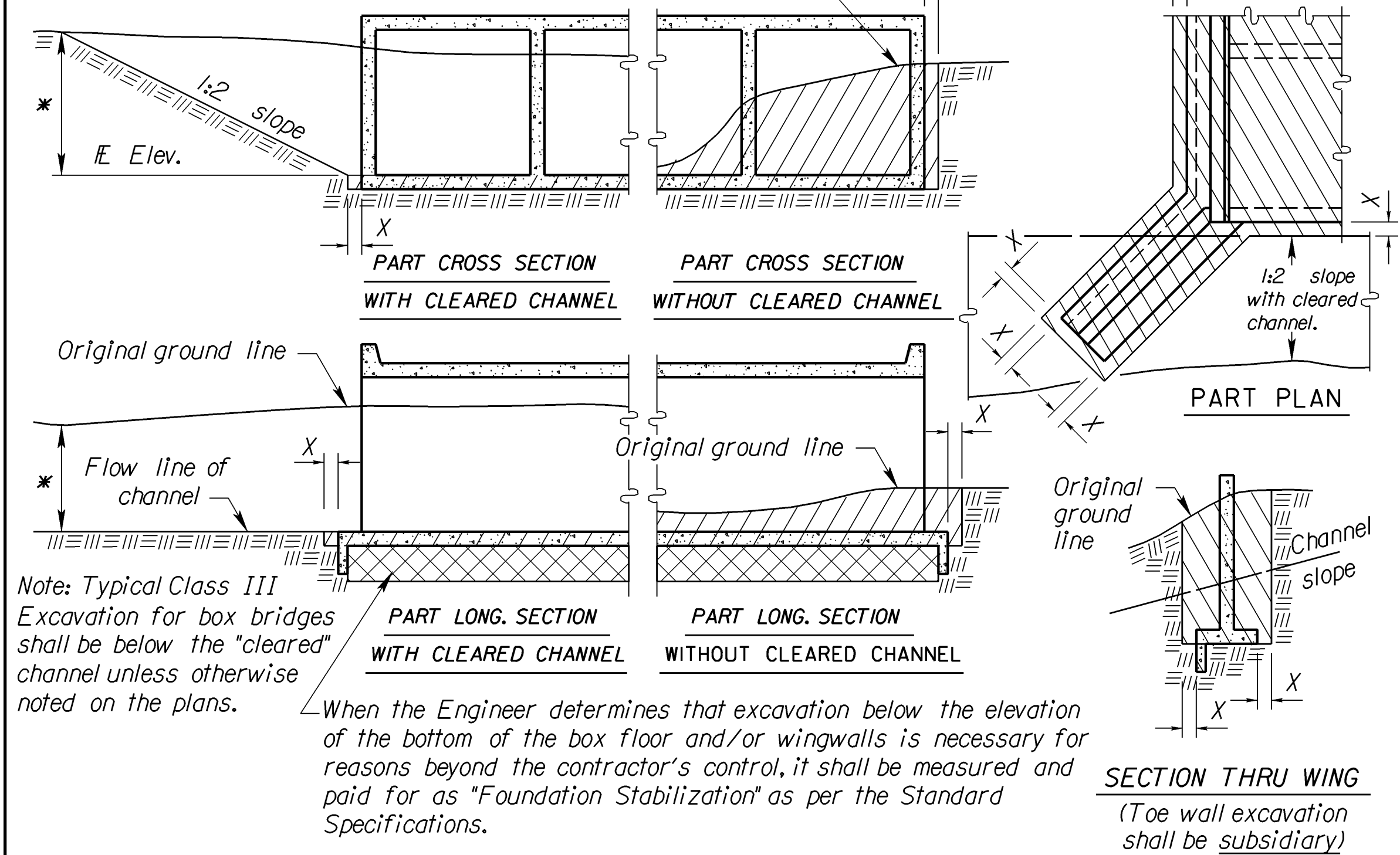


STATE	PROJECT NO.	YEAR	SHEET NO.	TOTAL SHEETS
KANSAS	54-87 K-8258-02	2003	36	76

* Note: The Grading Contractor shall excavate the channel to the limits shown prior to the construction of the box bridge, unless otherwise noted in the plans.



Note: Compute bridge excavation on the basis of the cross-hatch areas and boundary lines indicated on this sheet and the Excavation Boundary Plane on the Construction Layout.

When the trench is more than 1 500 mm in depth and 2 500 mm in length, shore, sheet, brace or otherwise support the sides of the trench in hard or compacted soil including embankments. In lieu of the shoring, the sides of the trench above the 1 500 mm level may be sloped to preclude collapse. The slope for average soils shall be 1:1. If the angle of repose of the soil is less, flatter slopes shall be required.

Dimension "X" shall be 600 mm unless indicated otherwise on the general plans.
Dimension "Y" shall be 450 mm unless indicated otherwise on the general plans.

Std. Base File: br100si.dgn
Plotted By: \$USERNAME\$\$
File: \$\$\$\$\$\$DGN\$SPEC\$\$\$\$\$
Plot Date: \$\$\$\$SYTIME\$\$\$\$\$

NO.	DATE	REVISIONS	BY	APP'D
4	4-10-02	Added 'Foundation Stab.' Note	RAM	KFH
3	3-19-02	Concrete from Class to Grade	RAM	KFH
2	8-12-95	Correct Section BB at abutment	LRR	KFH
1	1-30-95	Drilled Shaft Excavation	LRR	KFH

KANSAS DEPARTMENT OF TRANSPORTATION

BRIDGE EXCAVATION

BR100 SI

DESIGNED	4-19-02	APP'D	KENNETH F. HURST
DETAIL	JK	QUANTITIES	CADD
DESIGN CK.	DETAIL CK.	LRR QUAN. CK.	CADD CK.