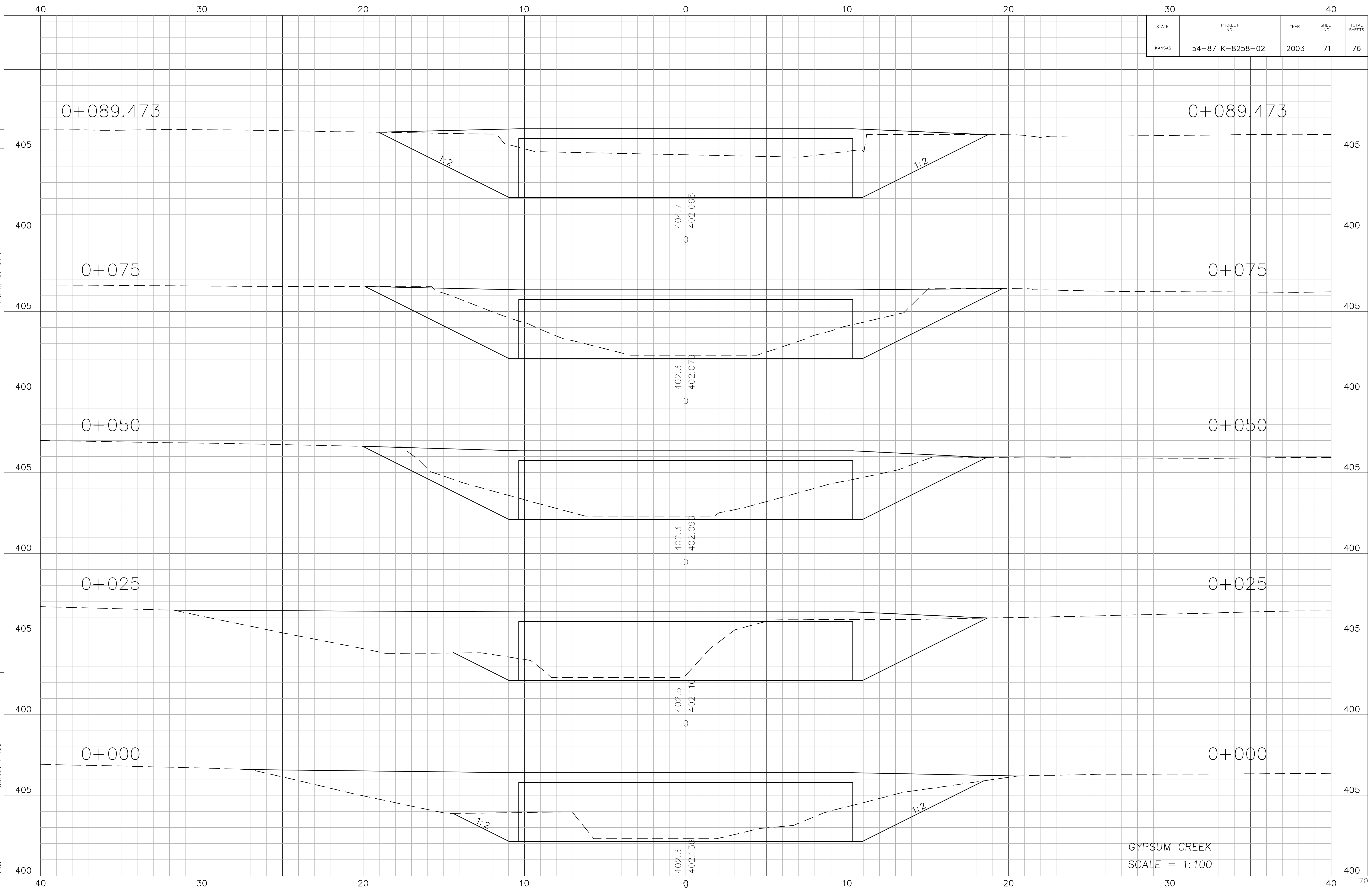


STATE	PROJECT NO.	YEAR	SHEET NO.	TOTAL SHEETS
KANSAS	54-87 K-8258-02	2003	71	76

DATE	
BY	
PLOTTED AREAS	
CHECKED AREAS	

Drawn by: _____
 Plotted: _____
 File: _____
 SCALE: 1=100



GYPSUM CREEK
 SCALE = 1:100