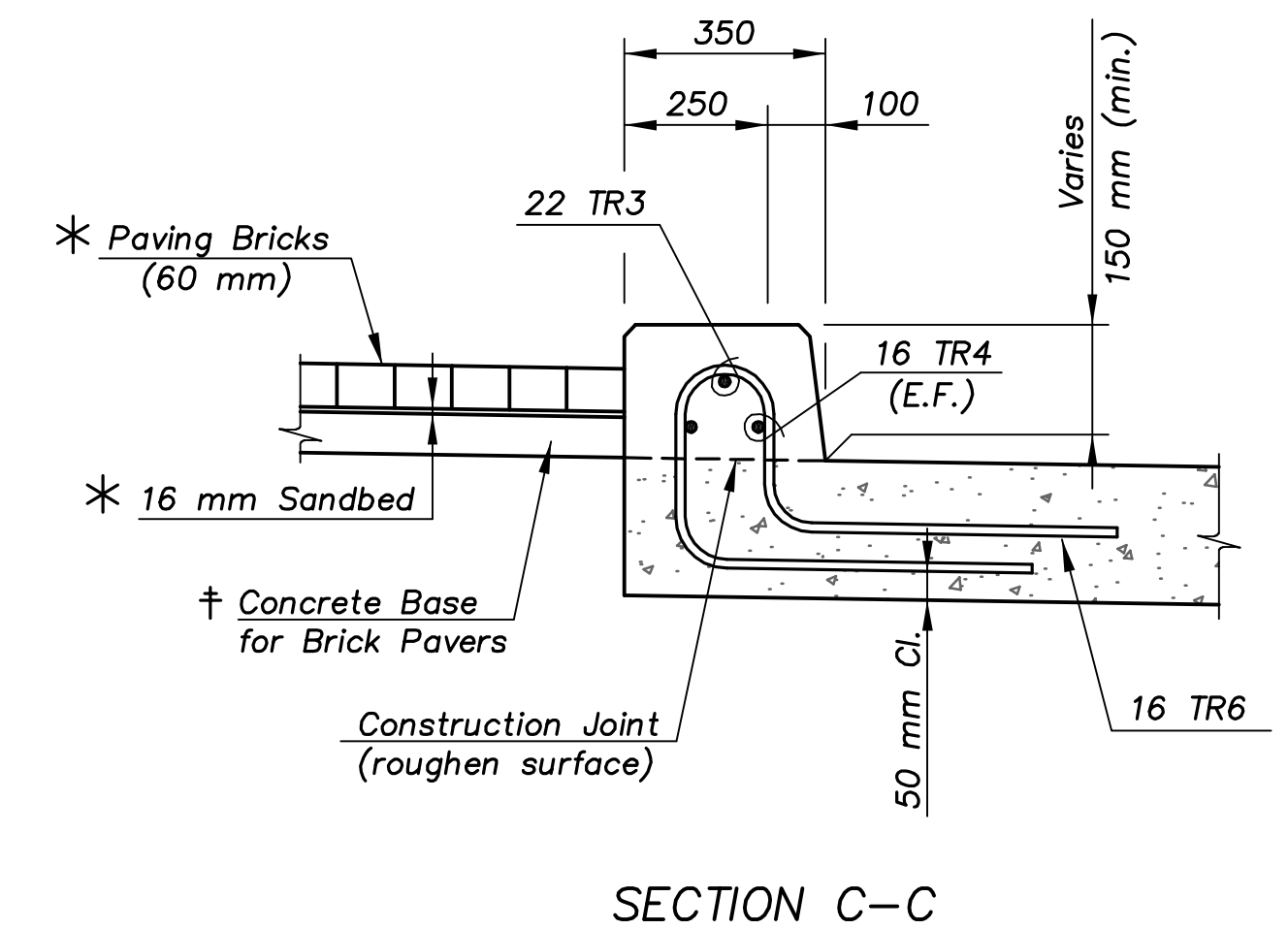
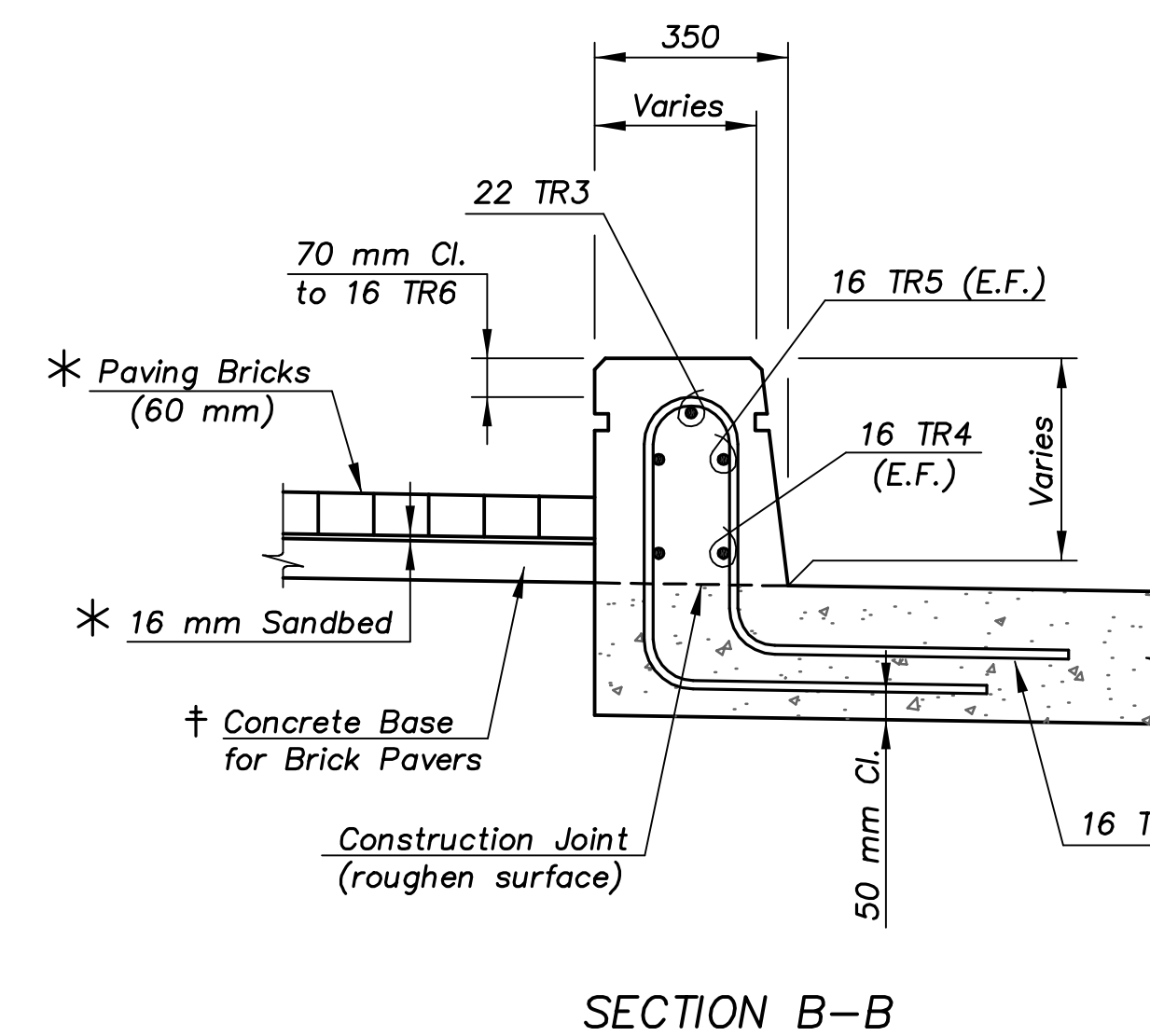
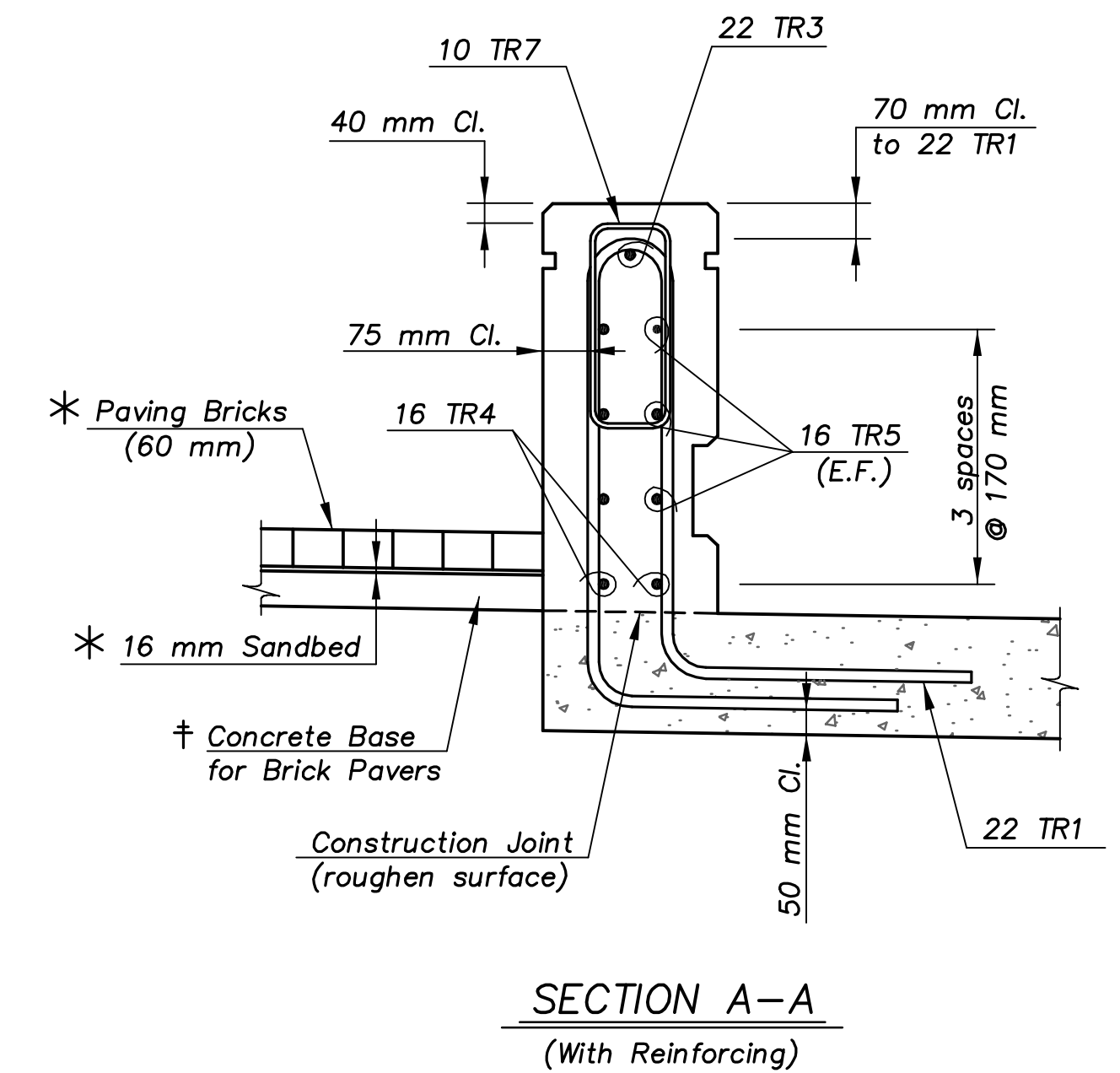
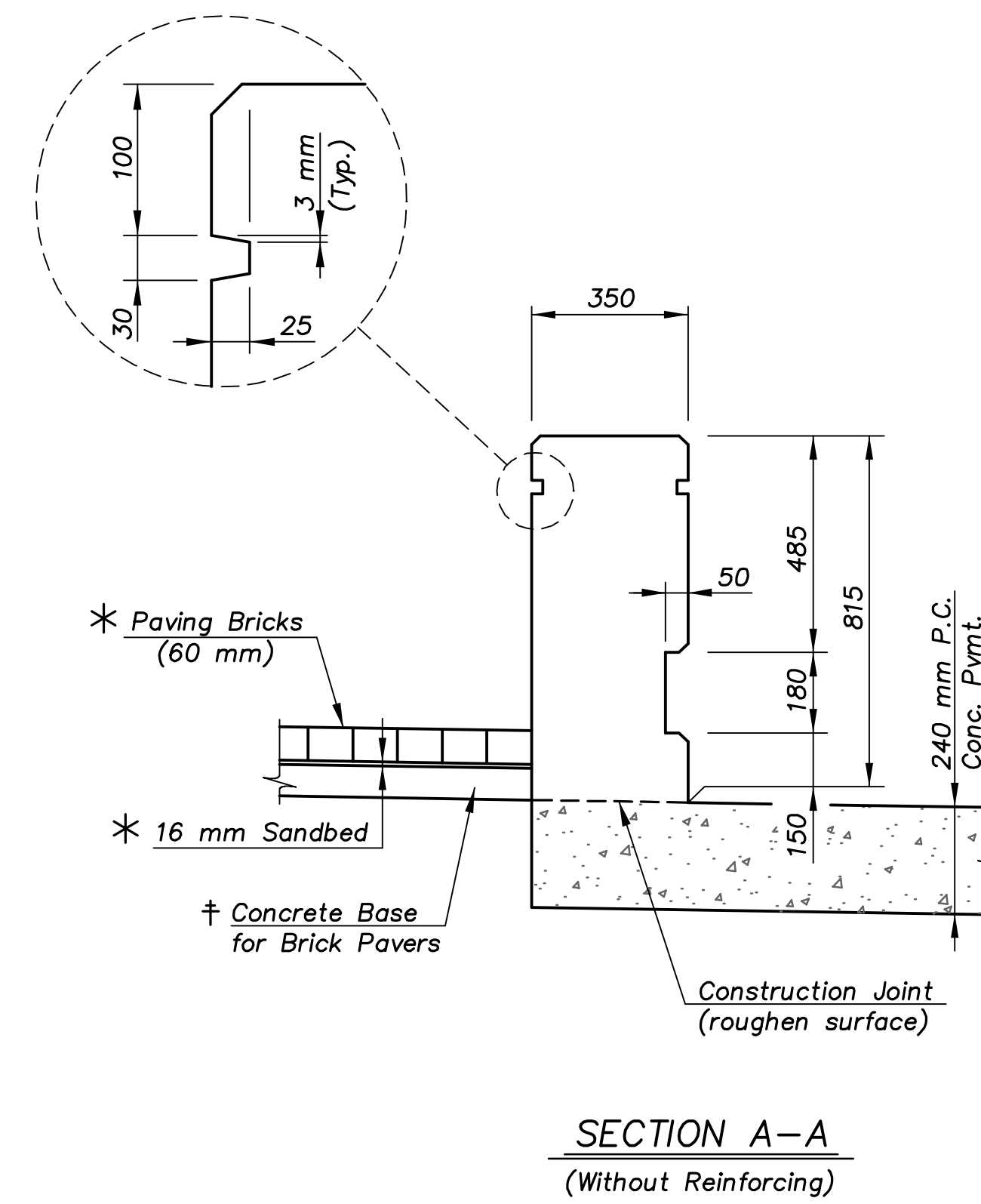
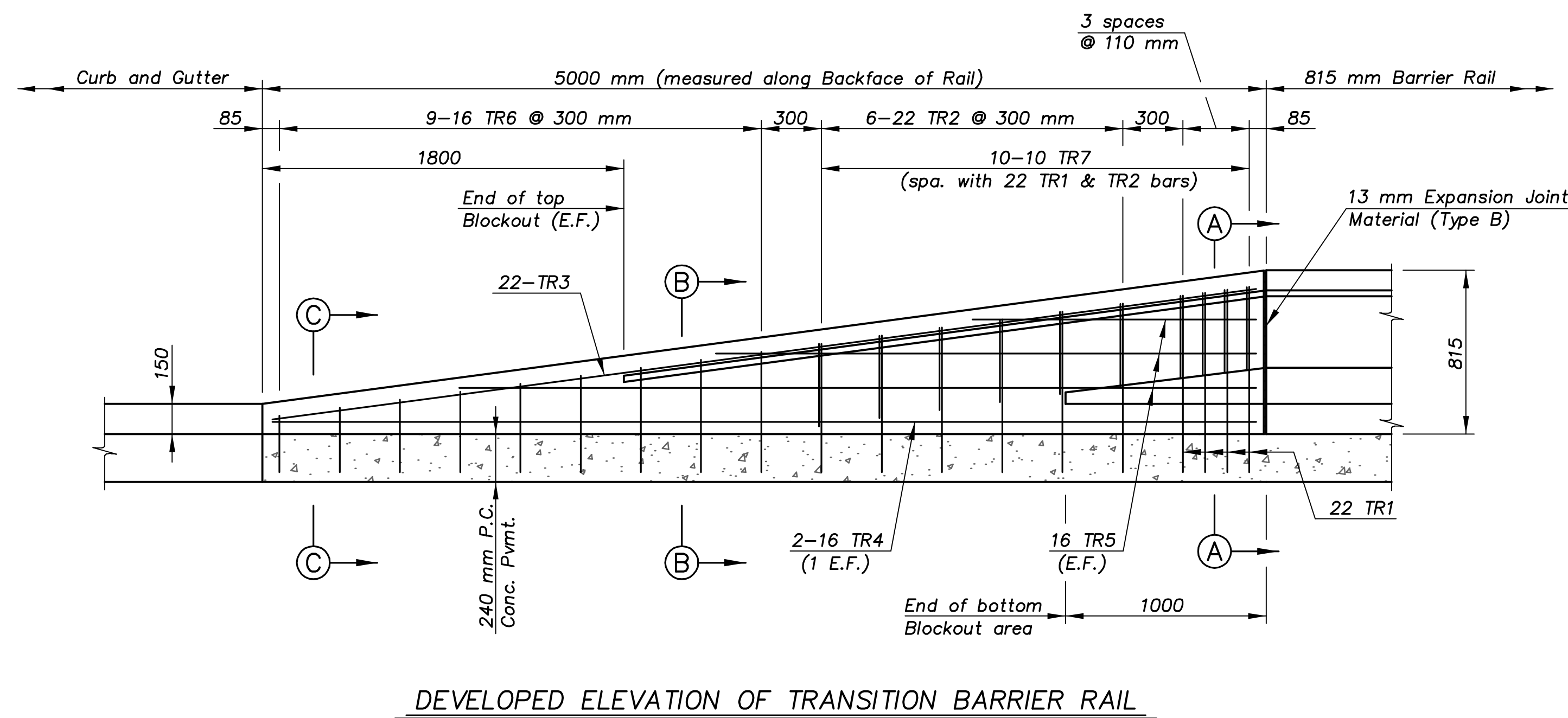
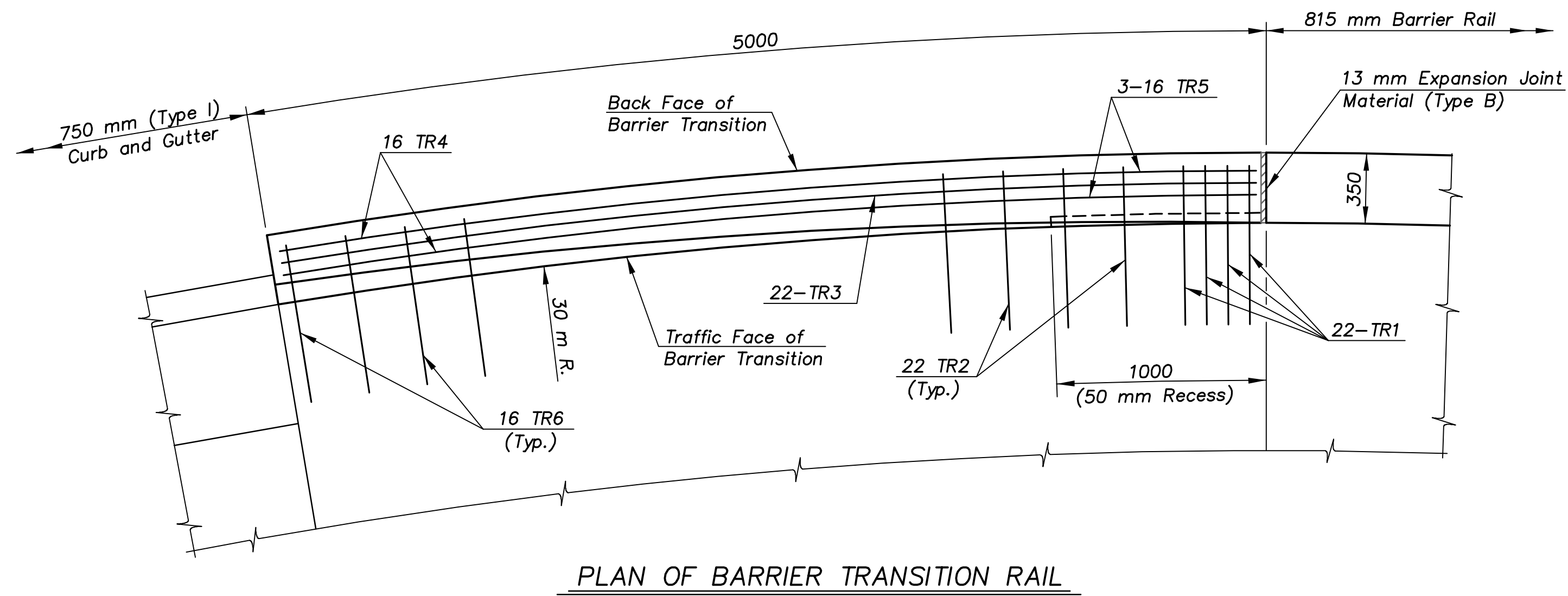


E.F. INDICATES EACH FACE.
 N.F. INDICATES NEAR FACE.
 F.F. INDICATES FAR FACE.

| STATE | PROJECT NO. | YEAR | SHEET NO. | TOTAL SHEETS |
|--------|-----------------|------|-----------|--------------|
| KANSAS | 54-87 K-8258-07 | 2004 | 26 | 101 |



- * NOTE: Paving Bricks and 16 mm Sandbed shall be included in the Roadway Quantities for payment.
- † NOTE: Concrete Base for Brick Pavers is included in the Roadway Quantities for payment.

MISC-DETAILS BARRIER-SPECIAL 1:100

| | | | |
|--|--------|---|--------|
| KANSAS DEPARTMENT OF TRANSPORTATION | | Cook, Flatt & Strobel ENGINEERS, P.A. | |
| SPECIAL TRANSITION CONCRETE BARRIER RAIL DETAILS EASTERN STA. 50+000 (LT. & RT.) | | | |
| DESIGNED | R.S.C. | SCALE | |
| DETAILED | T.R.G. | DATE | |
| QUANTITIES | T.R.G. | SHEET | 2 OF 4 |

Proj. No. 54-87 K-8258-07 SEDGWICK COUNTY