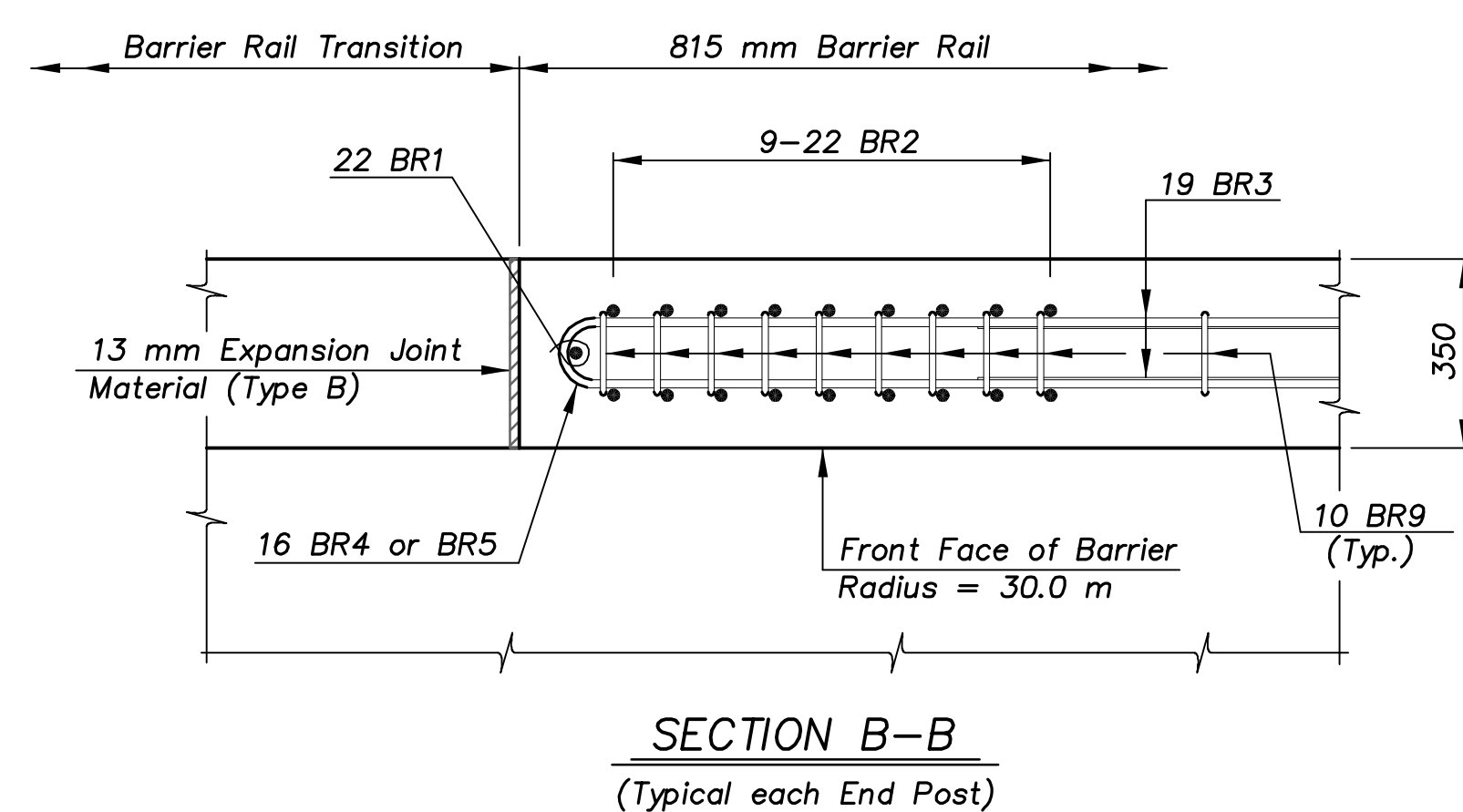
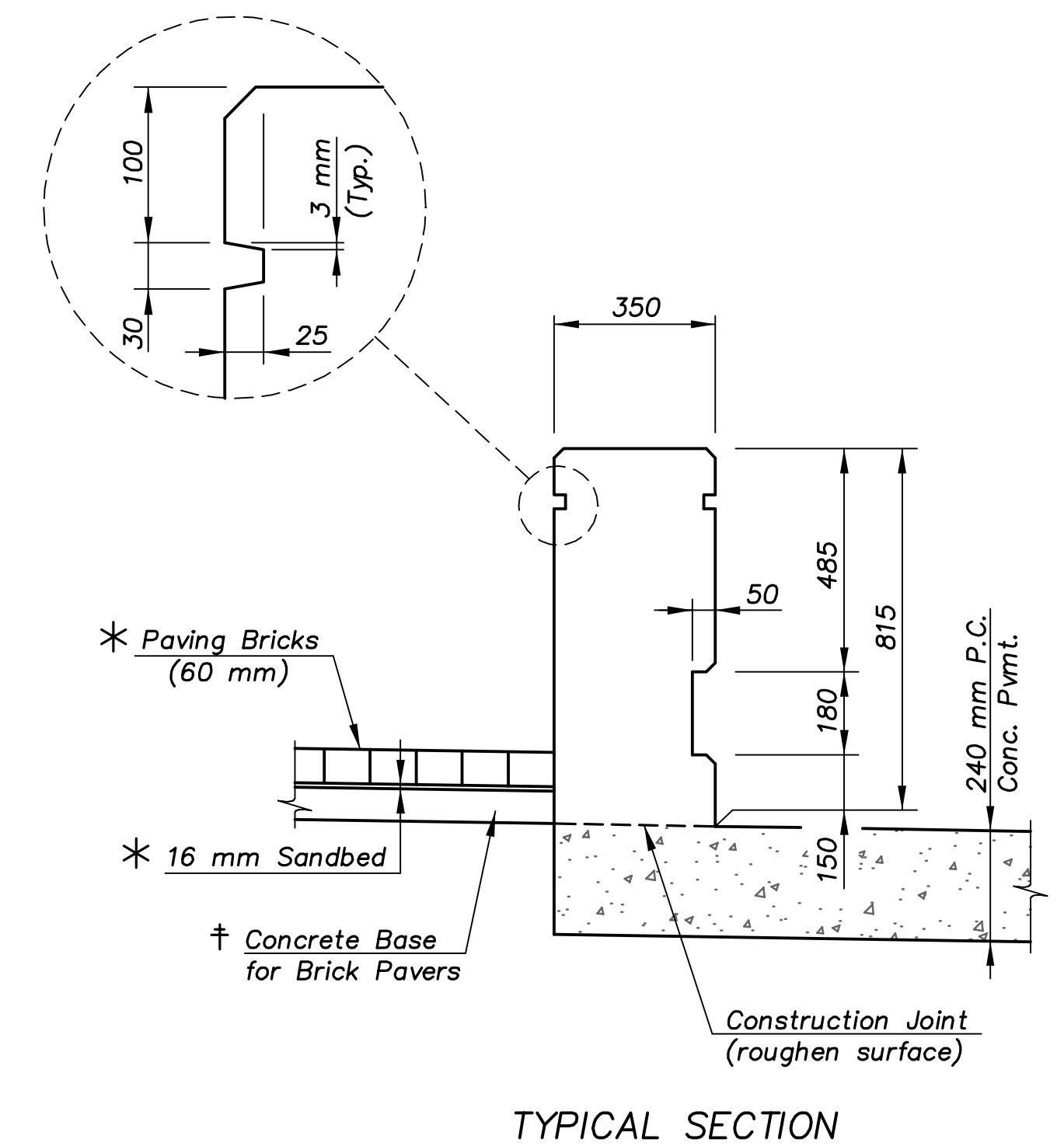
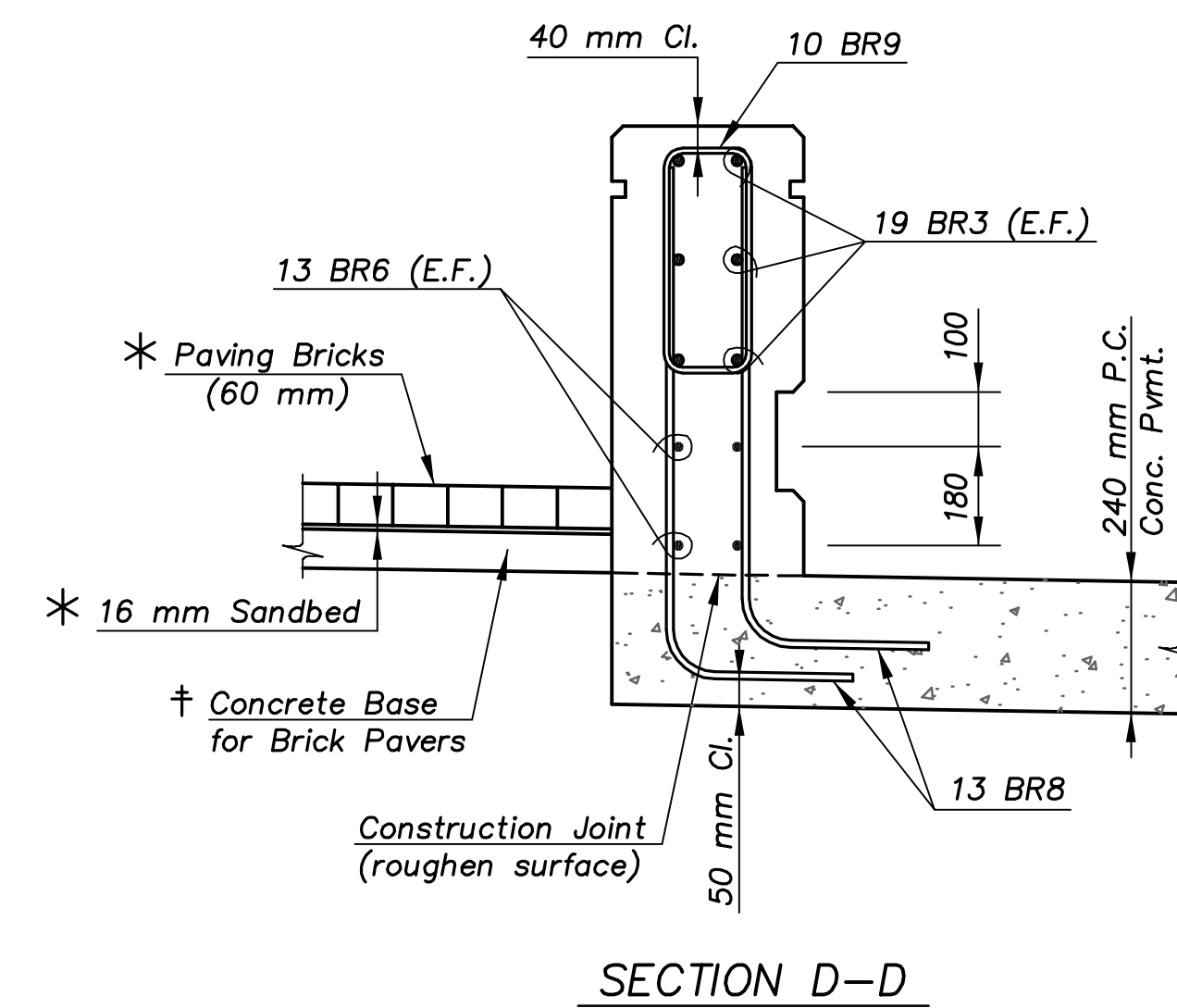
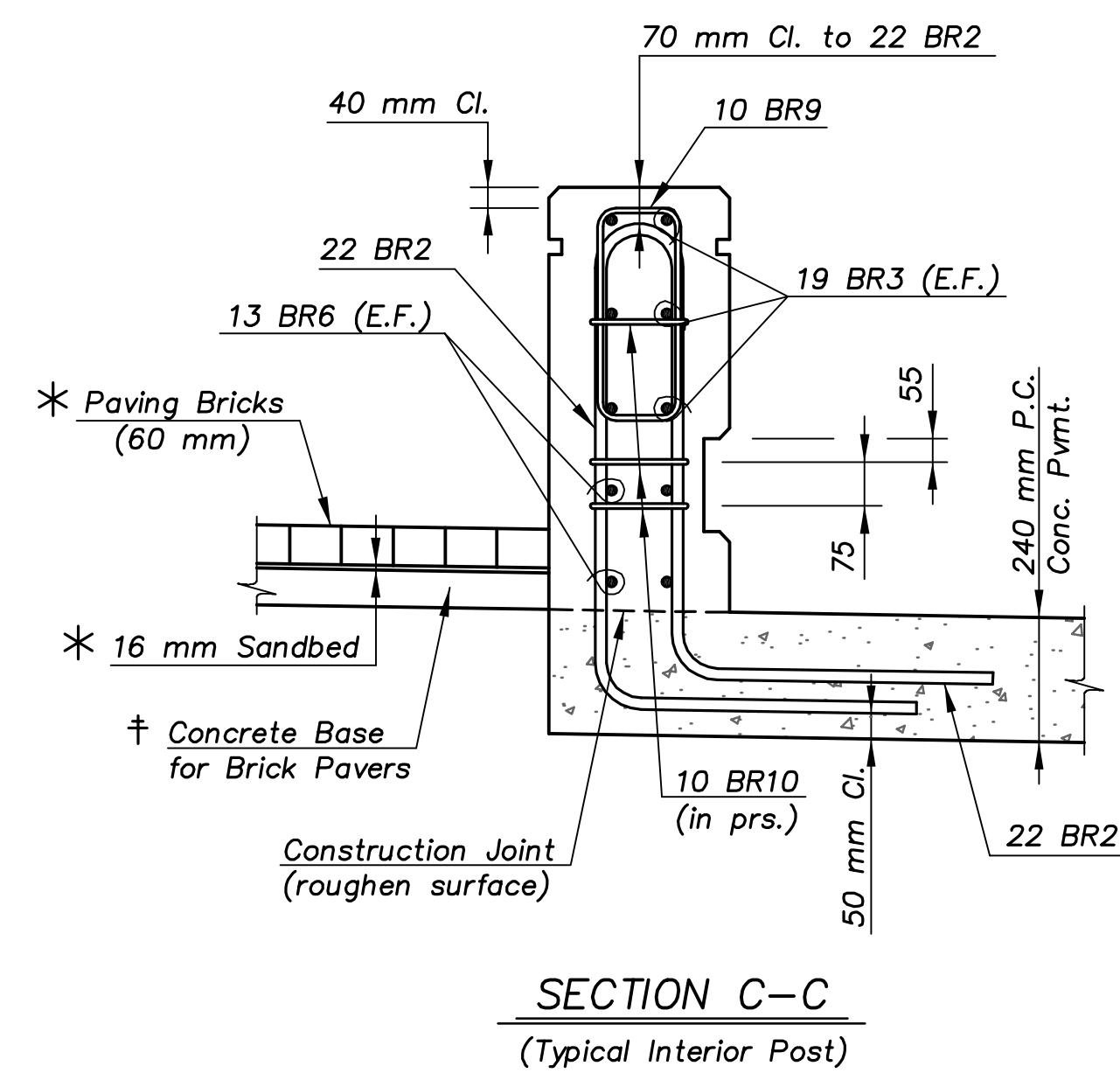
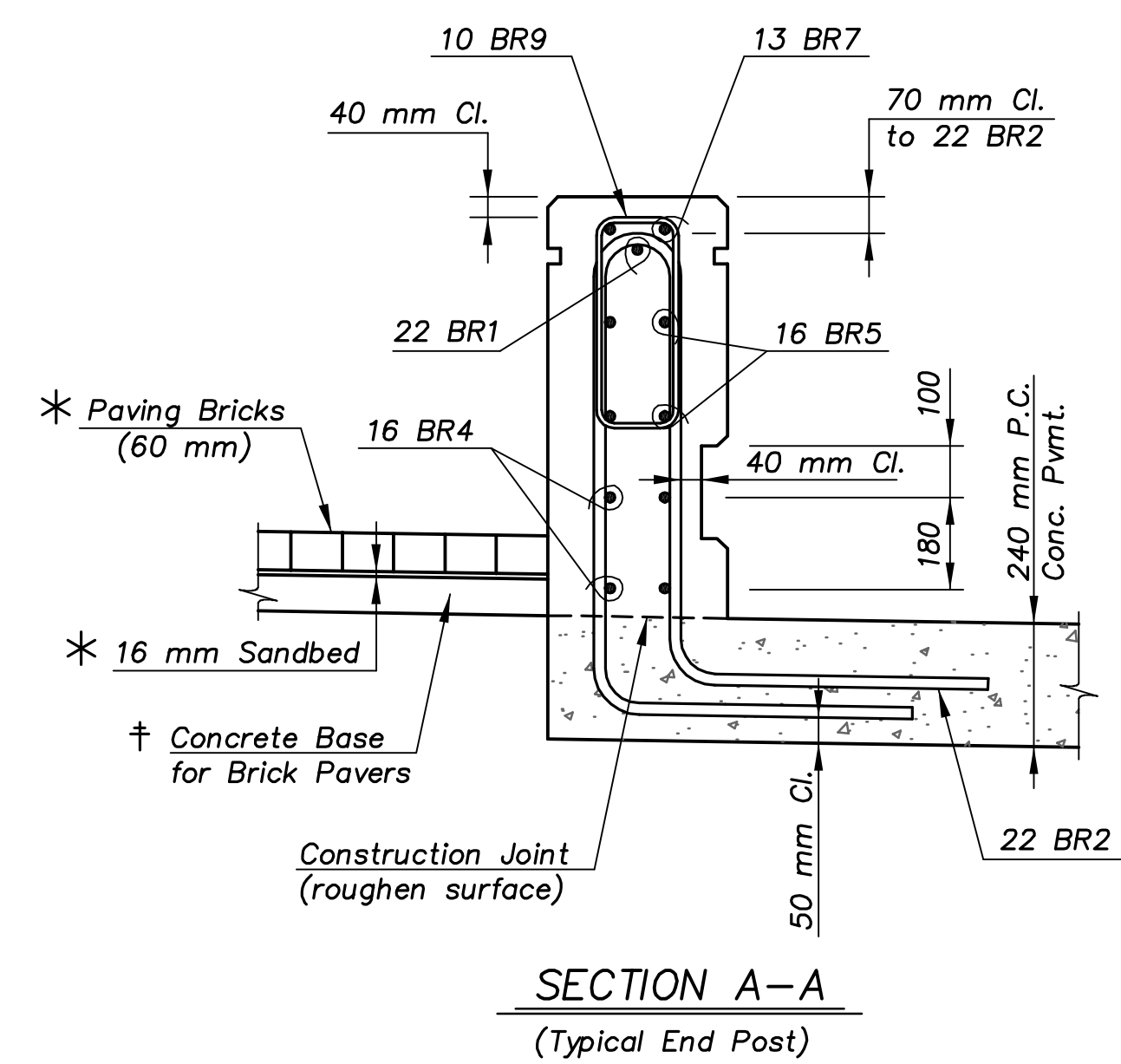
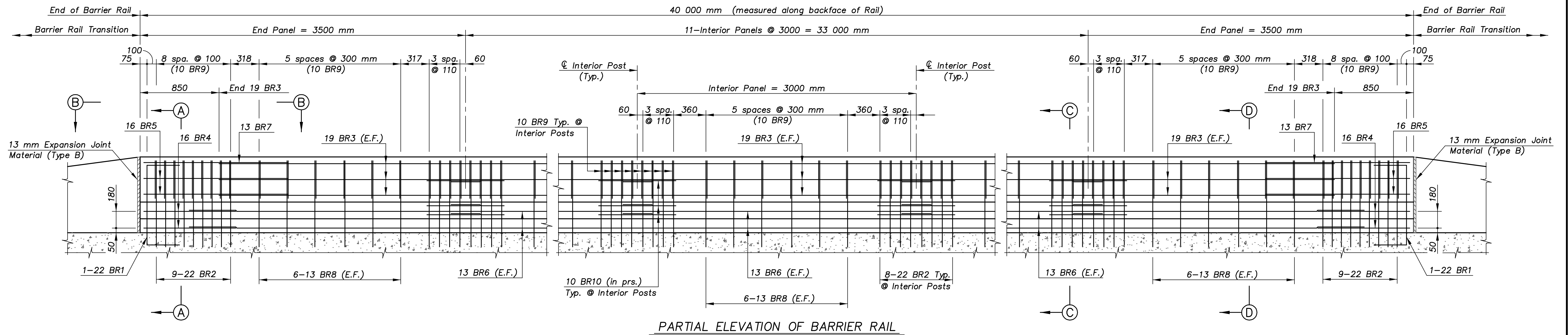


E.F. INDICATES EACH FACE.  
 N.F. INDICATES NEAR FACE.  
 F.F. INDICATES FAR FACE.

STATE	PROJECT NO.	YEAR	SHEET NO.	TOTAL SHEETS
KANSAS	54-87 K-8258-07	2004	27	101



- \* NOTE: Paving Bricks and 16 mm Sandbed shall be included in the Roadway Quantities for payment.
- † NOTE: Concrete Base for Brick Pavers is included in the Roadway Quantities for payment.

KANSAS DEPARTMENT OF TRANSPORTATION		
<b>SPECIAL 815 mm CONCRETE BARRIER RAIL DETAILS</b> EASTERN STA. 50+000 (LT. & RT.)		
DESIGNED	R.S.C.	SCALE
DETAILED	T.R.G.	DATE
QUANTITIES	T.R.G.	SHEET 3 OF 4

Proj. No. 54-87 K-8258-07 SEDGWICK COUNTY

1:100  
 MISC-DETAILS BARRIER-SPECIAL