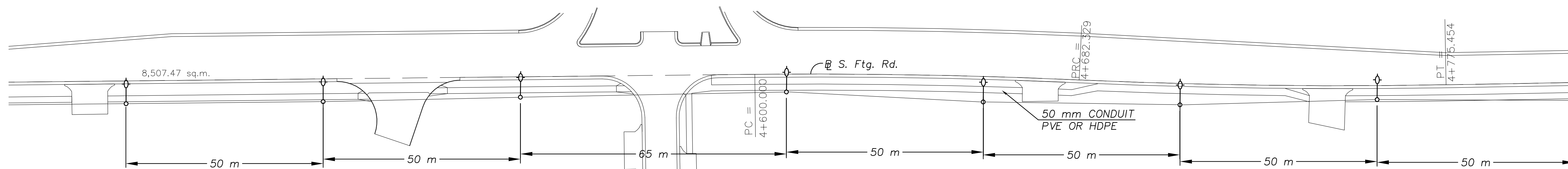
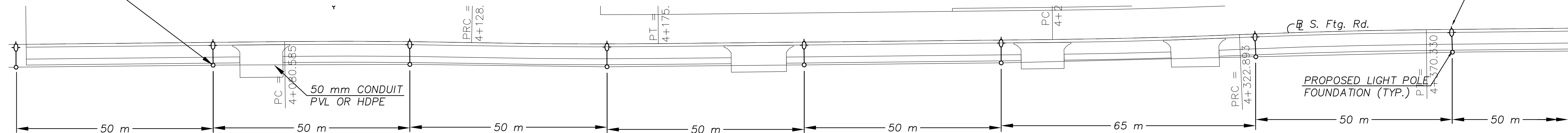


F.H.W.A. REGION NO.	STATE	PROJECT NO.	YEAR	SHEET NO.	TOTAL SHEETS
7	KANSAS	54-87 K-8258-07	2004	67	101

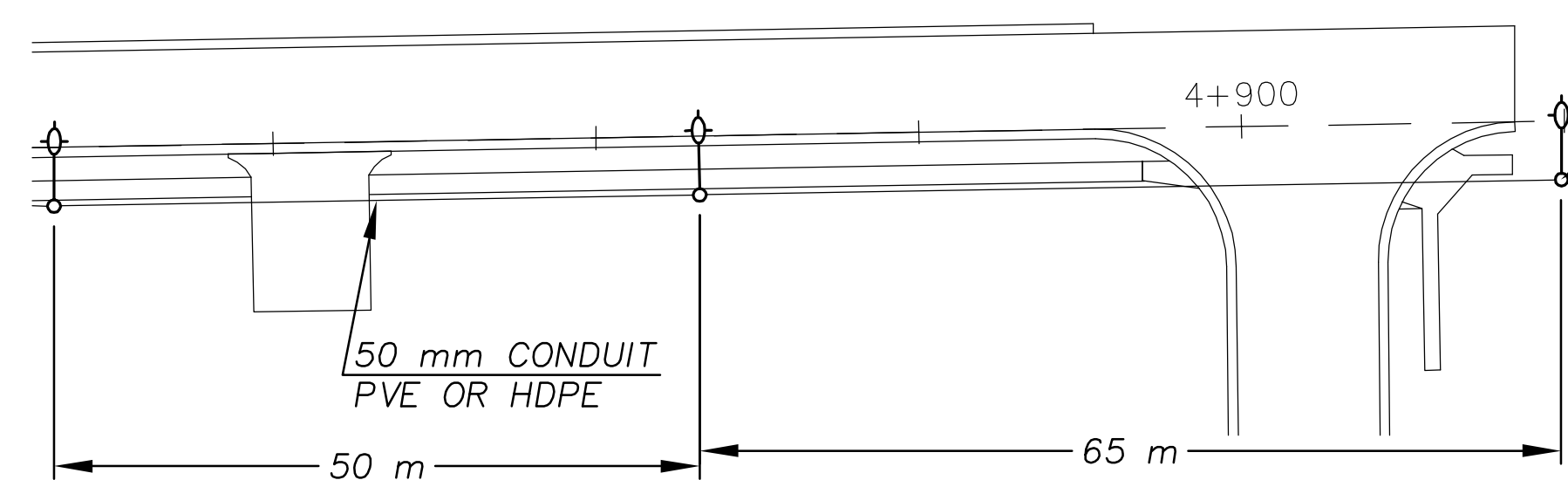
Scale: 1:500

DATE	BY

STA. 4+062.373,
5.775 m RT. @ SOUTH
FRONTAGE ROAD
BEGIN LIGHTING



STA. 4+924.702,
4.550 m RT. @ SOUTH
FRONTAGE ROAD
END LIGHTING



Drawn by: _____
File: _____
Plotted: _____
SCALE



KANSAS DEPARTMENT OF TRANSPORTATION
LIGHTING PLAN
SOUTH FRONTAGE ROAD
STA. 4+000 TO STA. 5+075
Wichita, Kansas Sedgwick, Co.