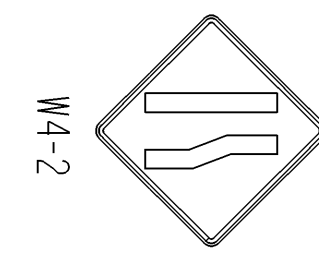


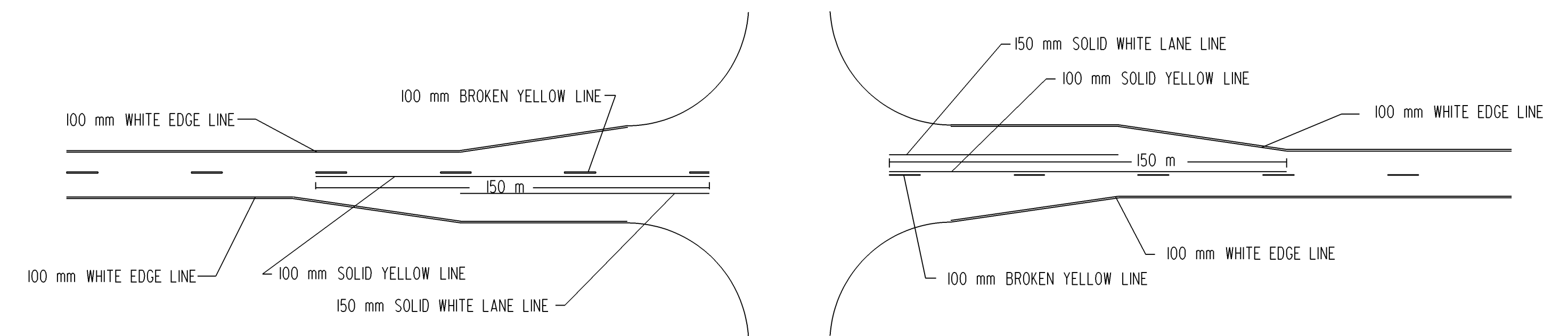
NOTE:
 DOTTED EXTENSION LINE TAPER LENGTH
 POSTED SPEED • 12
 FOR POSTED SPEEDS ABOVE 40 MPH



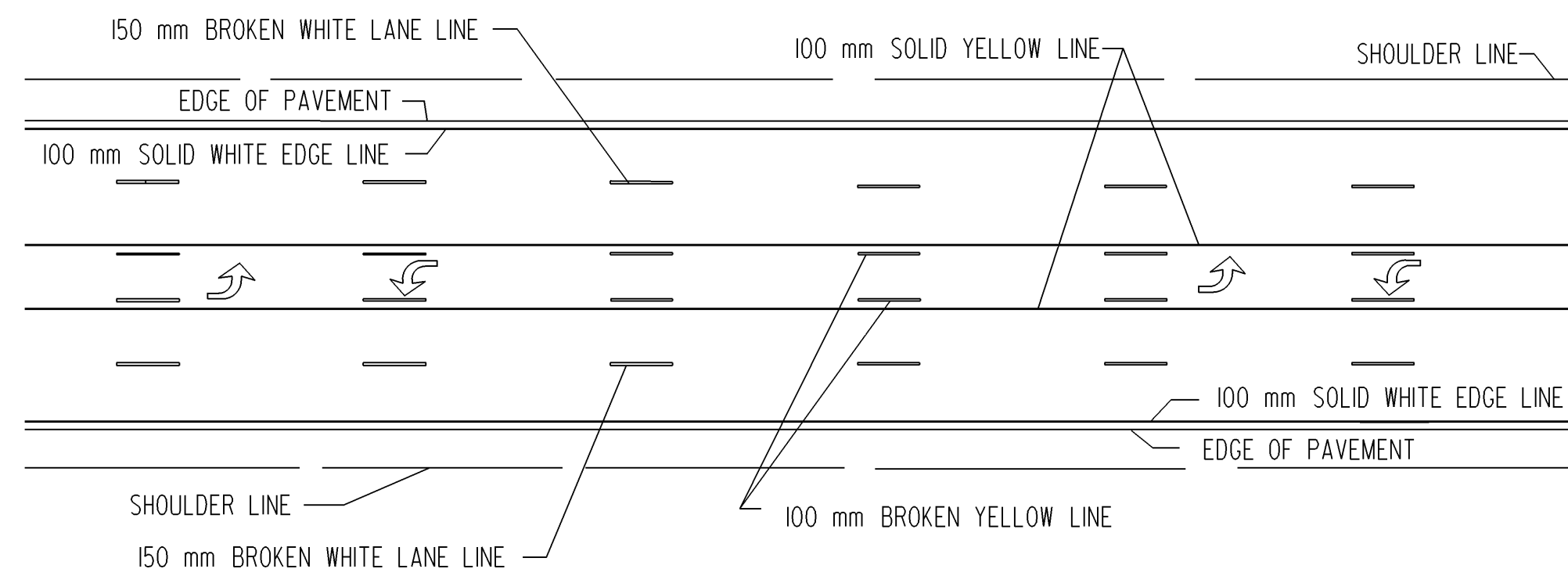
TYPICAL MARKING FOR AUXILIARY PASSING LANE

NOTE: ALL PAVEMENT MARKINGS SHALL BE BROKEN AT CROSS ROADS.

FOR HIGHWAY JUNCTIONS THE NO PASSING ZONE WILL EXTEND 300m FROM INTERSECTION

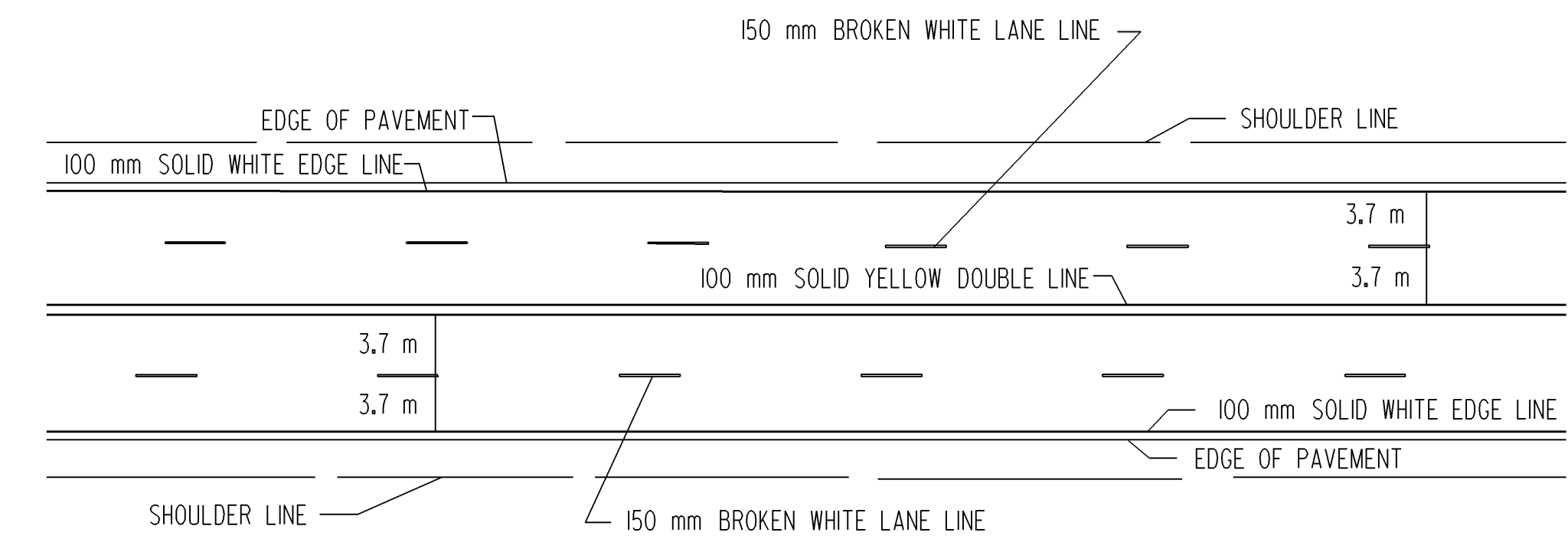


TYPICAL ROAD JUNCTION MARKINGS WITH BYPASS LANES

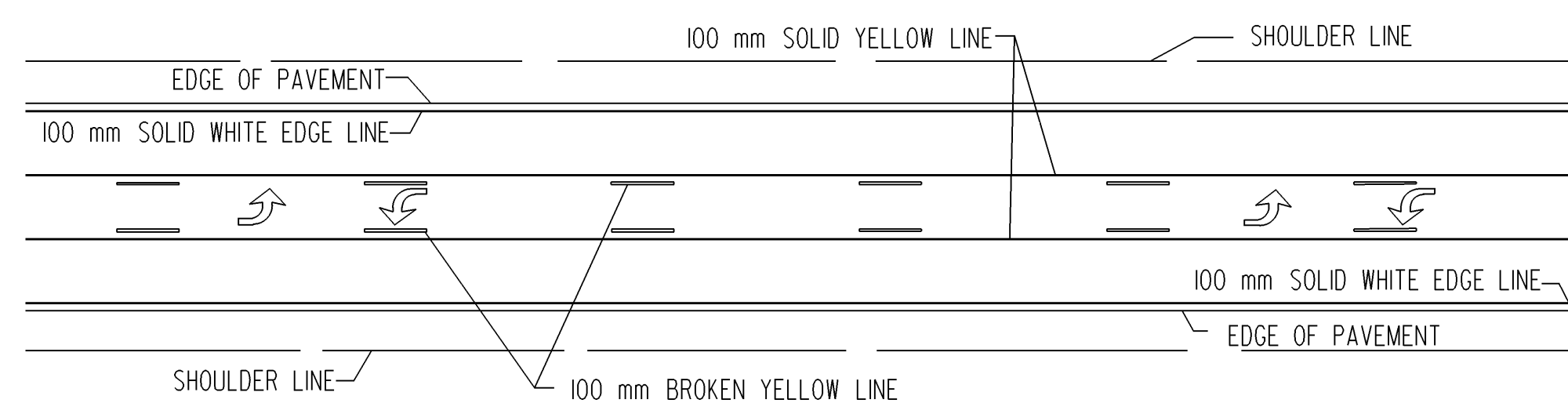


TWO-WAY LEFT TURN DETAIL FOR FIVE LANE ROADWAY

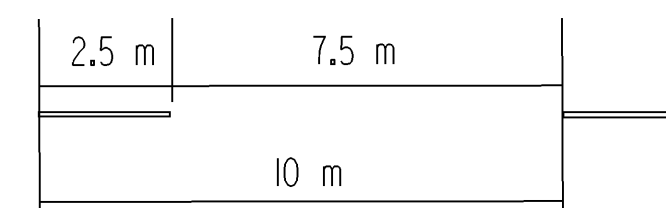
SPEED CONVERSION CHART	
MPH	km/h
20	30
25	40
30	50
35	60
40	60
45	70
50	80
55	90
60	100
65	110
70	110



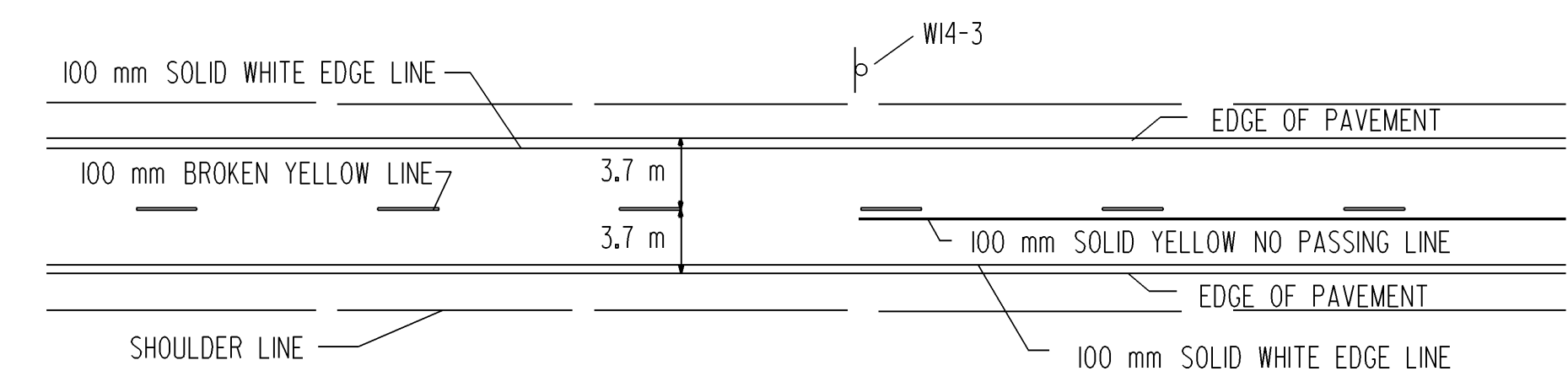
TYPICAL MARKINGS FOR FOUR LANE ROADWAY



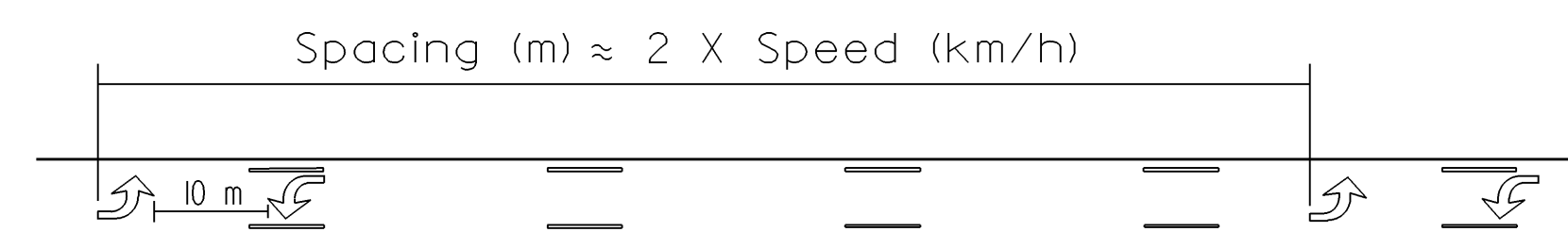
TWO-WAY LEFT TURN DETAIL FOR THREE LANE ROADWAY



TYPICAL SPACING FOR BROKEN LINES UNLESS OTHERWISE NOTED ON PLANS

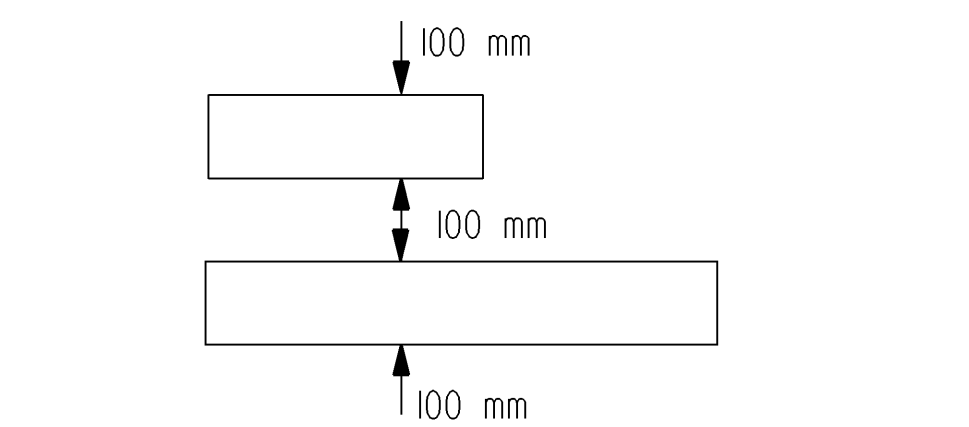


TYPICAL TWO LANE MARKINGS



TWO-WAY LEFT TURN ARROW SPACING DETAIL

NOTE: If arrows are used space the arrows as shown in the spacing detail



TYPICAL SPACING FOR NO PASSING LINES UNLESS OTHERWISE NOTED ON PLANS

NOTE: LONGITUDINAL PAVEMENT MARKING LINES SHALL BE OFFSET A MINIMUM OF 50mm FROM LONGITUDINAL PAVEMENT JOINTS.

Plotted By : @USERNAME@
 Plot File : @DGN@SPEC@
 Plot Date : @SYTIME@

NO.	DATE	REVISION	BY	APP'D
4	01/02/03	Add passing lane detail & arrow note	GJI	LGV
3	03/07/98	Add County Road detail	JFF	LGV
2	02/24/98	REFORMATTED W/NEW DETAILS	JFF	LGV
1	03/06/96	BROKEN LINE DETAIL	JFF	JET

KANSAS DEPARTMENT OF TRANSPORTATION			
TYPICAL PAVEMENT MARKING DETAILS FOR UNDIVIDED ROADWAYS			
TE308SI			05/12/94
FHWA APPROVAL	01/17/03	APP'D	JAMES E. TOBACEN
DESIGNED	JFF	DETAILED	GSB
QUANTITIES	TRACED	DESIGN CK.	JET
DETAIL CK.	JFF	QUAN. CK.	TRACED CK.