

Water Meter Adjustments

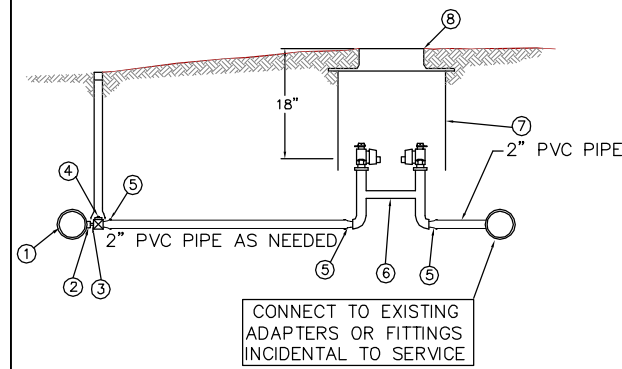
Street Address	B.L. Station	Ex. Offset	New Offset	Status	Remarks	Meter #
257 S.Hillside	13+68.72	27.58 Lt.		Dead	Abandon Service Vacant Lot	
251 S.Hillside	13+92.63	27.92 Lt.		Short		
248 S.Hillside	14+45.99	27.38 Rt.		Long		
223 S.Hillside	14+93.51	27.61 Lt.		Short	was 239	
219 S.Hillside	15+54.19	27.58 Lt.		Dead	Abandon Service	
231 S.Hillside	16+12.17	26.30 Lt.		Dead	Abandon Service	
215 S.Hillside	16+59.06	26.89 Lt.		Dead	Abandon Service was 227	
220 S.Hillside	16+90.78	27.68 Rt.		Long	was 222	
215 S.Hillside	17+21.83	26.26 Lt.		Short	was 225	
201 S.Hillside	18+13.37	29.08 Lt.		Short	was 201 Ap 2	
200 S.Hillside	18+35.72	27.28 Rt.		Long	was 204	
202 S.Hillside	18+88.15	26.61 Rt.		Dead	Abandon Service	
147 S.Hillside	19+94.26	27.41 Lt.		Short		
144 S.Hillside	21+11.00	27.32 Rt.		Dead	Abandon Service	
145 S.Hillside	21+30.36	27.15 Lt.		Short		
140 S.Hillside	21+85.24	26.12 Rt.		Dead	Abandon Service	
125 S.Hillside	23+08.24	28.73 Lt.		Short		
124 S.Hillside	23+49.38	28.46 Rt.		Long	was 126	
123 S.Hillside	24+04.22	27.65 Lt.		Short		
118 S.Hillside	24+36.84	27.41 Rt.		Dead	Abandon Service	
114 S.Hillside	24+89.91	27.77 Rt.		Long	2 meters in 1 box w/110	
110 S.Hillside	24+89.91	27.77 Rt.		Long	2 meters in 1 box w/114	
3201 E.Douglas	24+91.68	27.71 Rt.		Long		
3123 E.Douglas	25+79.37	79.22 Lt.		Dead	Abandon Service	
3134 E.Douglas	27+24.77	26.25 Lt.		Short		
3202 E.Douglas	27+48.53	26.11 Rt.		Long	Split w/ 104 N.Hillside	
104 N.Hillside	27+48.53	26.11 Rt.		Long	Split w/ 3202 E.Douglas	
108 N.Hillside	27+61.29	26.82 Rt.		Long		
110 N.Hillside	27+86.52	26.25 Rt.		Long		
120 N.Hillside	28+27.62	28.78 Rt.		Long		
123 N.Hillside	29+27.29	27.71 Lt.		Dead	Abandon Service	
125 N.Hillside	29+78.65	26.13 Lt.		Dead	Abandon Service	
134 N.Hillside	30+34.84	27.55 Rt.		Long		
136 N.Hillside	30+77.11	27.92 Rt.		Dead	Abandon Service	
140 N.Hillside	31+03.39	27.24 Rt.		Long		
137 N.Hillside	31+50.97	27.15 Lt.		Short		
145 N.Hillside	32+12.65	27.16 Lt.		Short		

Water Meter Adjustments

Address	B.L. Station	Ex. Offset	New Offset	Status	Remarks	Meter #
162 N.Hillside	32+39.41	28.86 Rt.		Long		
201 N.Hillside	33+88.82	26.65 Lt.		Short		
210 N.Hillside	34+16.24	27.91 Rt.		Long	was 208	
211 N.Hillside	34+34.58	26.40 Lt.		Short		
207 N.Hillside	34+39.03	35.86 Lt.		Custom Set & Service	2" Domestic	
212 N.Hillside	35+02.78	33.18 Rt.		Service Outlet Assy	2" Lawn	
215 N.Hillside	35+46.21	26.50 Lt.		Dead	Abandon Service	
221 N.Hillside	35+66.96	26.05 Lt.		Dead	Abandon Service	
223 N.Hillside	35+82.21	26.38 Lt.		Dead	Abandon Service	
218 N.Hillside	35+96.33	27.43 Rt.		Long		
222 N.Hillside	36+09.89	27.27 Rt.		Dead	Abandon Service	
227 N.Hillside	36+19.35	26.60 Lt.		Dead	Abandon Service	
231 N.Hillside	36+68.08	26.89 Lt.		Short		
230 N.Hillside	36+88.61	27.93 Rt.		Dead	Abandon Service	
241 N.Hillside	37+24.68	26.12 Lt.		Short	Split w/ 245 2-meters in 1 box Split w/ 241	
245 N.Hillside	37+24.68	26.12 Lt.		Short		
253 N.Hillside	37+86.28	26.92 Lt.		Short		
244 N.Hillside	38+37.35	26.57 Rt.		Long		
303 N.Hillside	40+52.29	26.41 Lt.		Short		
307 N.Hillside	40+76.46	26.95 Lt.		Short		
315 N.Hillside	42+04.47	32.93 Lt.		Custom Set & Service	2" Lawn	
321 N.Hillside	42+97.80	26.14 Lt.		Dead	Abandon Service	
331 N.Hillside	43+51.79	26.02 Lt.		Dead	Abandon Service	
333 N.Hillside	43+90.51	26.15 Lt.		Dead	Abandon Service	
320 N.Hillside	44+29.10	47.01 Rt.		Long		
345 N.Hillside	44+58.59	30.93 Lt.		Short		
353 N.Hillside	45+81.63	36.85 Lt.		Short	Split w/ 355 1-Live 1-Dead Split w/ 353	
355 N.Hillside	45+81.63	36.85 Lt.		Short		
340 N.Hillside	45+96.95	27.76 Rt.		Dead	Abandon Service Vacant Lot	
357 N.Hillside	46+38.40	41.25 Lt.		Short		
3109 E.Douglas	67+27.88	6.42 Lt.		Long		
3110 E.Douglas	67+50.57	73.32 Lt.		Dead	Abandon Service	
3111 E.Douglas	67+78.02	221.70 Lt.		Long		
3115 E.Douglas	67+98.47	73.87 Lt.		Dead	Abandon Service	
3133 E.Douglas	68+68.83	72.318 Lt.		Long	was 3117	
3123 E.Douglas	69+20.45	73.51 Lt.		Dead	Abandon Service	

Recap. of Quantities (100% Non-Participating)

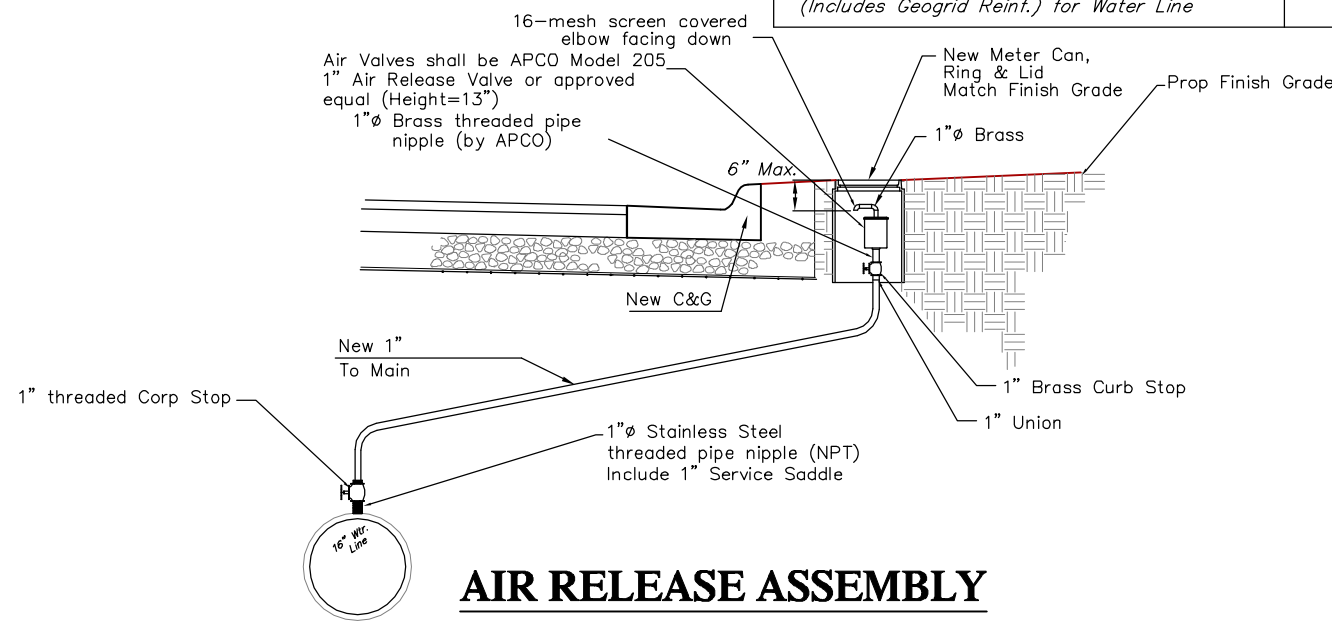
Bid Item	Quantity	Unit
Water System Improvements	1	L.S.



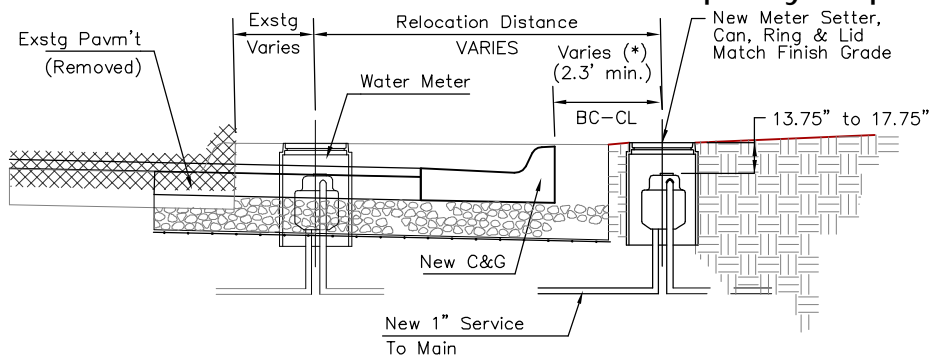
MATERIALS LIST:

- EXISTING WATER MAIN, PIPE DIAMETER="D"
- "D" x 2" BRASS SADDLE
- 2" x 3" BRASS NIPPLE
- 2" CURBSTOP AY MCDONALD, FORD B11-777, MUELLER 300 B20283 (WITH STANDARD VALVE BOX)
- 2" F PVC TO MIPT ADAPTER FORD C87-77
- 2" CUSTOM SETTER W/BYPASS FORD W7724B1177
- 30" WHITE PVC METER BOX - 24" HIGH, SMOOTH INSIDE, RIBBED OUTSIDE, NO NOTCHES
- 30" X 20" MONITOR COVER WITH 20" LID WITHOUT LOCK FORD MC30LL

2" CUSTOM SET & SERVICE



All Water Services to be Completely Replaced with 1" or greater.



(*) Relocation of all water meters in conflict with construction of this project will be accomplished in conjunction with construction. Location of meter(s) will be typically set at least 2.3' from the back of new curbline to the centerline of meter box unless otherwise as directed by the Field Engineer.

The top of the meter box to be field set typically to match finish grade elevations unless otherwise as directed by the Field Engineer.

Replace meter setter, can, ring & lid. Existing 3/4" Copper Setter may be reinstalled upon Engineer's Approval or replaced with 1" Copper Setter. All work and materials required is to be SUBSIDIARY to the quantity item "Water Main System Replacement".

Water System Quantities (For Information Only)

Bill of Materials	Quantity	Unit
W.L. Pipe 2"	102	ft
W.L. Pipe 6"	64	ft
W.L. Pipe 8"	648	ft
W.L. Pipe 12"	2809	ft
W.L. Pipe 16"	632	ft
DICL SJ Pipe 6"	32	ft
DICL SJ Pipe 8"	80	ft
DICL SJ Pipe 12"	38	ft
Valve Assy 6"	3	EA.
Anch Valve Assy 6"	1	EA.
Valve Assy 8"	7	EA.
Anch Valve Assy 8"	7	EA.
Valve Assembly 12"	5	EA.
Anch Valve Assembly 12"	1	EA.
Service Outlet Assy 2"	1	EA.
Custom Set & Service 2"	2	EA.
Fire Hydrant Assembly	8	EA.
Fire Hydrant Removal	6	EA.
Blowoff Assembly 2"	3	EA.
Air Release Assembly	1	EA.
Tapping Valve Assy 12" (By City of Wichita Wtr. Dept.)	1	EA.
Tapping Sleeve (20" x 12") (By City of Wichita Wtr Dept.)	1	EA.
Concrete Encase Sanitary Sewer	20	L.F.
Relocate & Re-install Water Service (Short)	23	EA.
Relocate & Re-install Water Service (Long)	22	EA.
R/W Clearing & Site Preparation	1	L.S.
Traffic Control	1	L.S.
Pavement Removal for Water Line	2,623	Sq. m.
Concrete Pavement (230mm) (NRDU) (Class A) (AE) for Water Line	2,623	Sq. m.
Reinforced Crushed Rock Base (150mm) (Includes Geogrid Reinf.) for Water Line	2,623	Sq. m.

PROJECT NUMBER 448-89557	SHEET NAME Wmtables	ENGINEERING DIRECTORY Eng/Hillside/Water
DESIGN KK	DRAWN TA	APPROVED JFB
DATE May 2006	SCALE None	BAUGHMAN NO 01-03-E947

CAPITAL IMPROVEMENT PROJECT
WATER LINE IMPROVEMENTS
WATER SYSTEM TABLES
HILLSIDE IMPROVEMENTS

BAUGHMAN COMPANY, P.A.
ENGINEERING, SURVEYING, & PLANNING
316-262-7271 * 315 ELLIS * WICHITA, KANSAS 67211