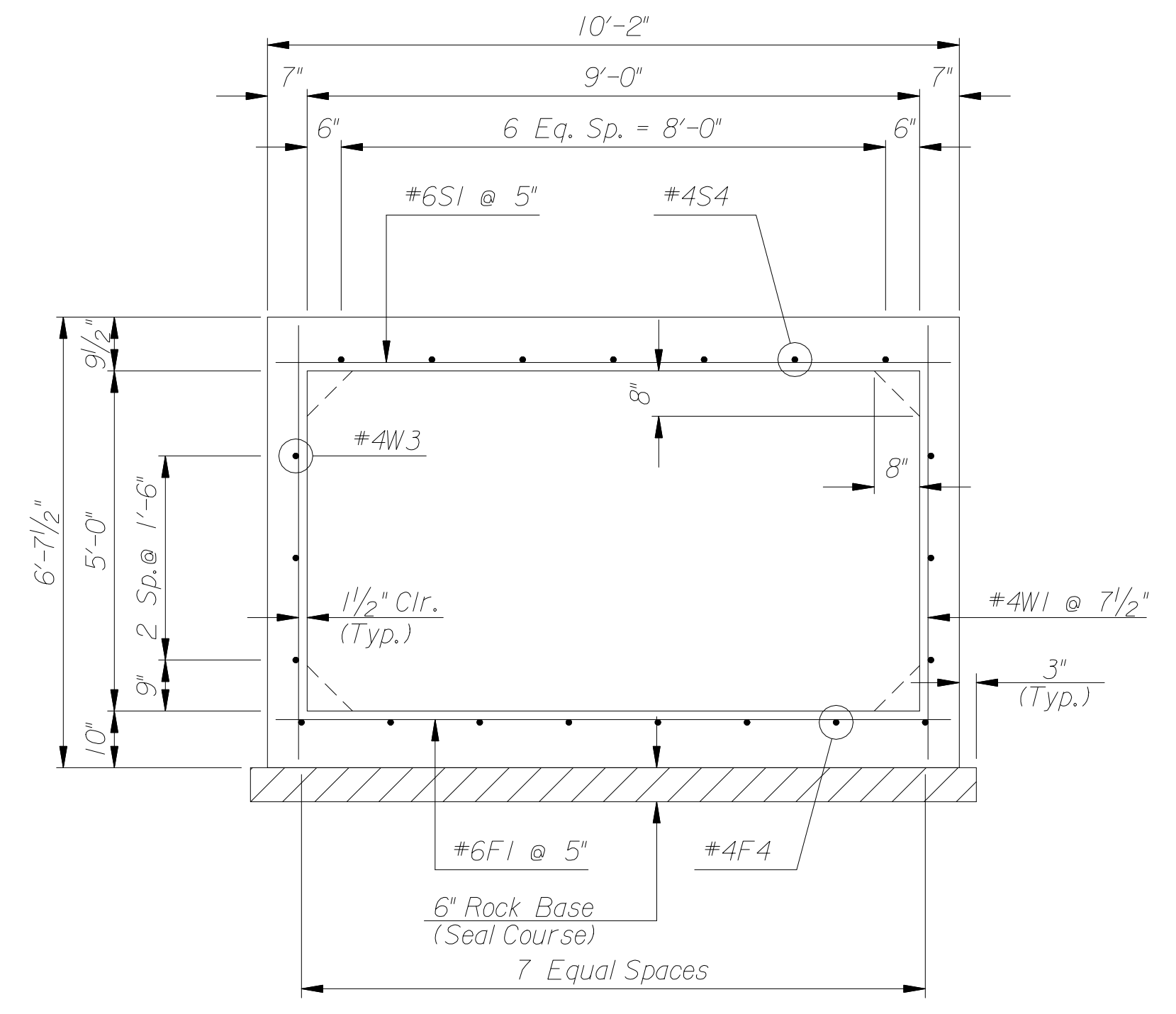


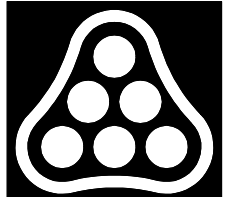
TYPICAL SECTION  
10'x4'

\* Haunches to be used only if present on supplied precast sections.



TYPICAL SECTION  
9'x5'

Saved: 03-16-2006 3:19:55 PM by msn  
 Plot Scale: 1" = 2' 5-25-2006  
 r:\2005\05493-2\05493-002-Typical-Sections.dgn

	No.	Revision	By	Date	
	DOWNTOWN ARENA SWD OUTFALL PHASE 1 - WATERWALK PORTION  <b>TYPICAL SECTIONS CAST-IN PLACE</b>  JAMES L. ARMOUR, P.E. - CITY ENGINEER CITY OF WICHITA PROJECT NO. 468-84167  <b>Professional Engineering Consultants, P.A.</b> 303 S. TOPEKA • WICHITA, KANSAS 67202 316-262-2691 • FAX 316-262-3003				
	Designed by	MSN	Job No.	32-05493-2-42	Sht. 10 of 47
	Drawn by	WLL	Date	April 2006	