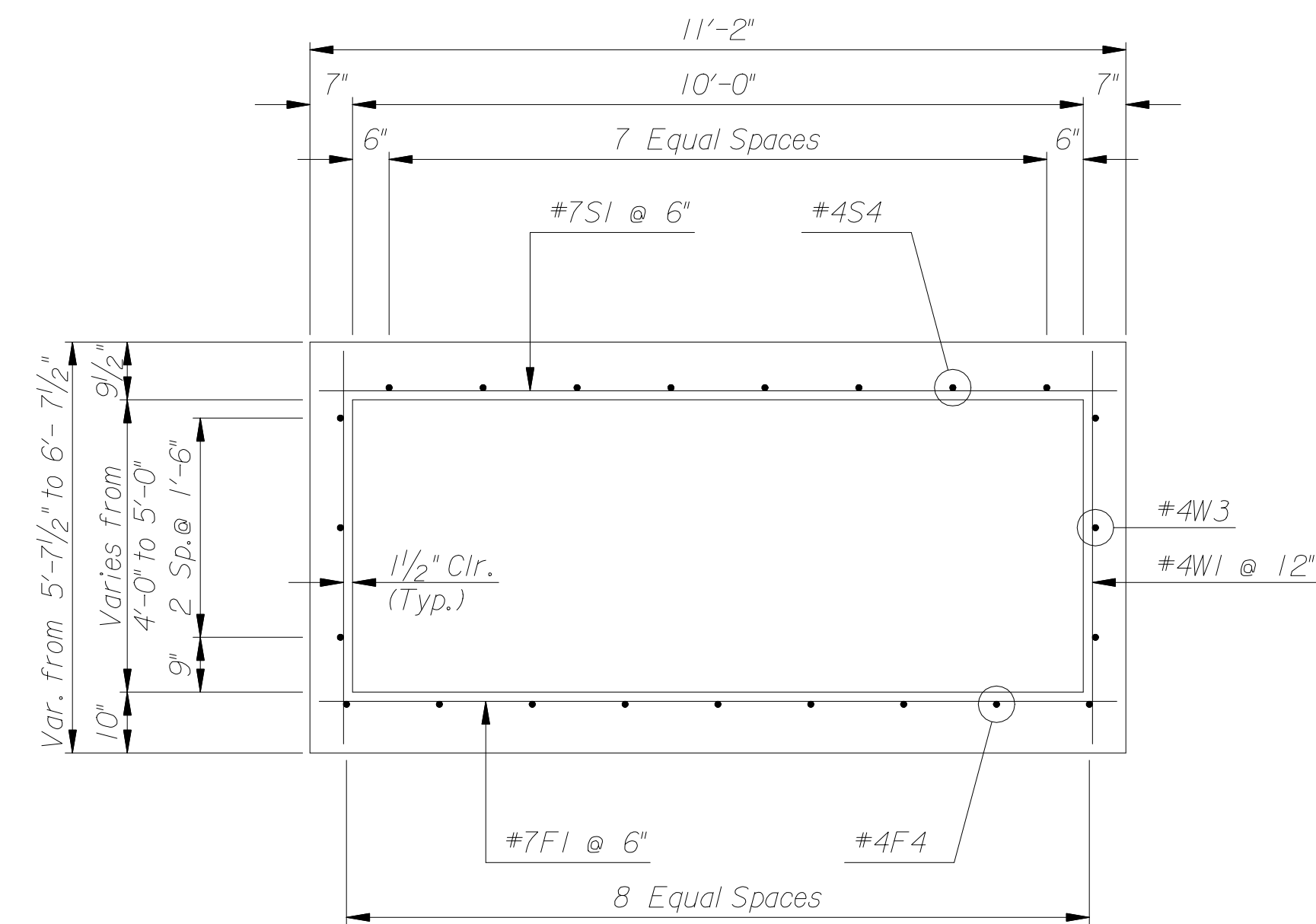
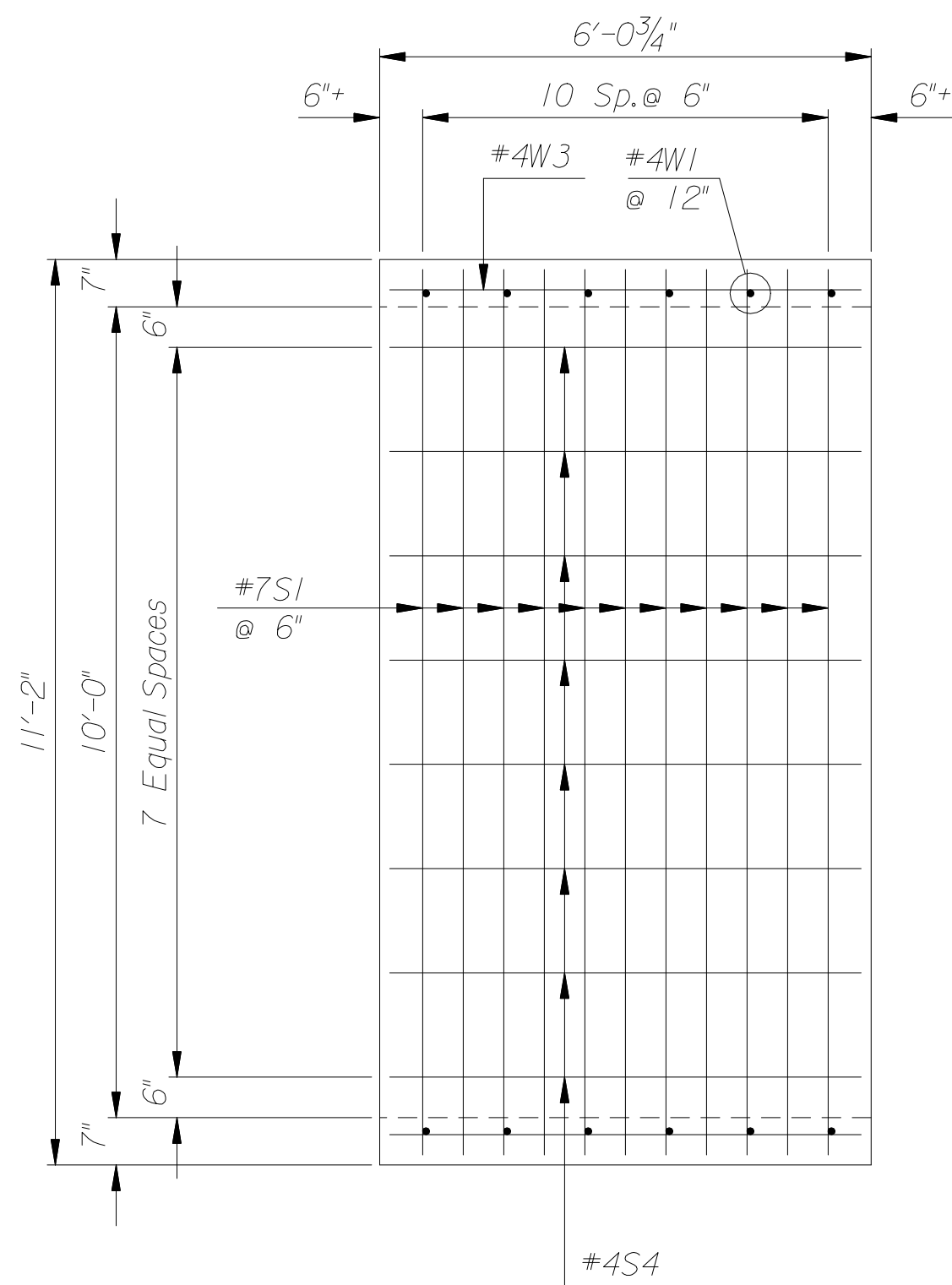


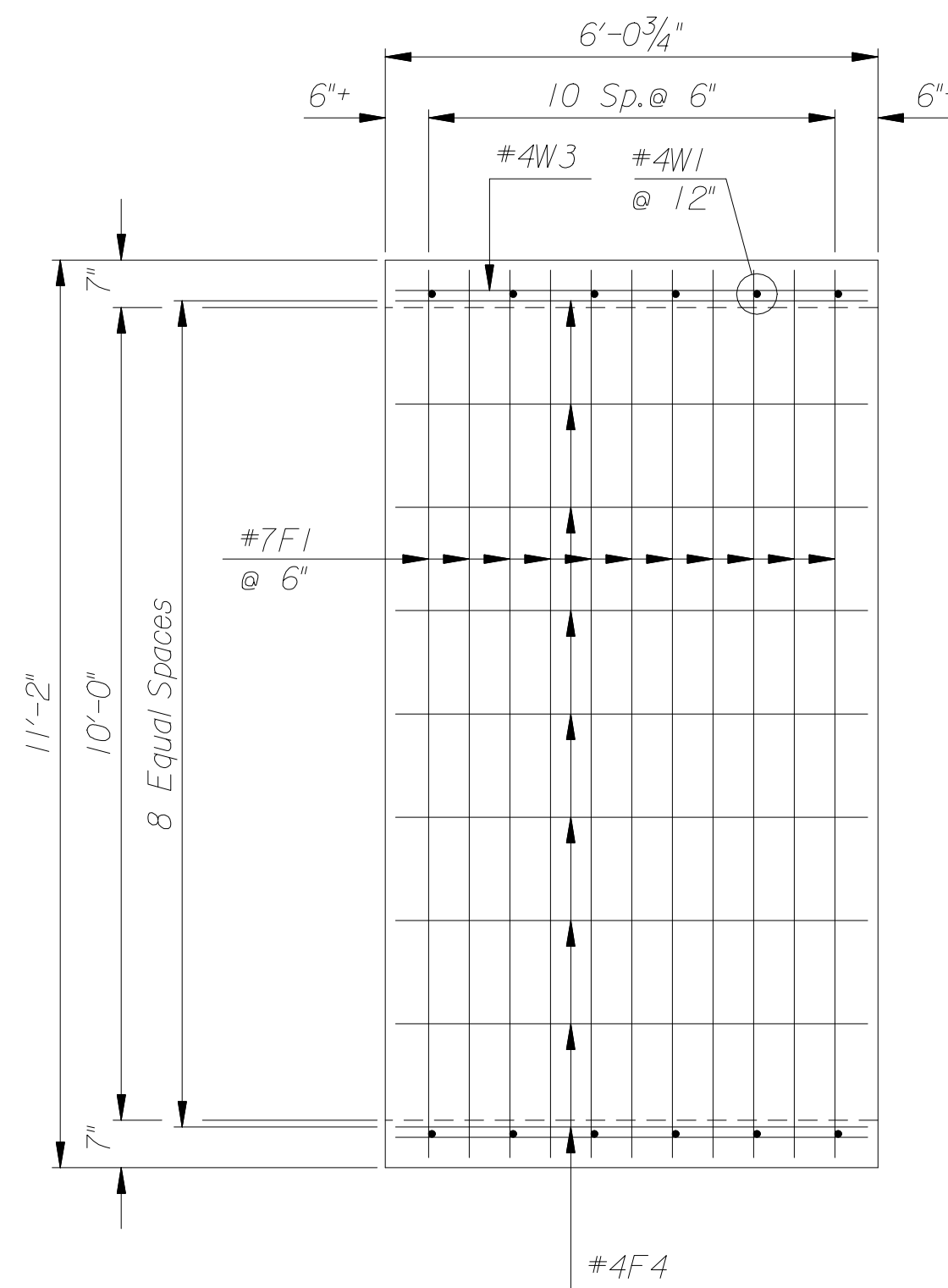
ELEVATION



TYPICAL SECTION



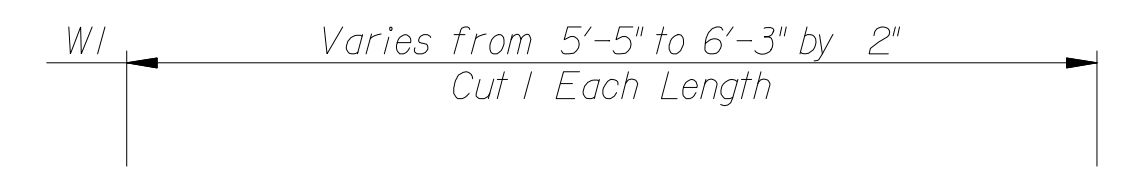
SLAB PLAN



FLOOR PLAN

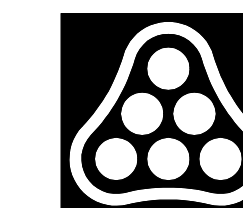
REINFORCING STEEL						
Straight Bars				Bent Bars		
Mark	No.	Size	Length	Mark	No.	Size
F1	11	#7	10'-10"			
F4	9	#4	5'-9"			
S1	11	#7	10'-10"			
S4	8	#4	5'-9"			
W1	12	#4	Varies			
W3	6	#4	5'-9"			

BILL OF MATERIALS			
Item	Quantity	Unit	
Concrete	5.3	C.Y.	
Reinforcing Steel (Grade 60)	622	Lbs.	



W1

BENDING DIAGRAM  
Dimensions are out to out of bars



No.	Revision	By	Date
DOWNTOWN ARENA SWD OUTFALL PHASE 1 - WATERWALK PORTION			
10'x4' TO 10'x5' R.C.B. TRANSITION			
JAMES L. ARMOUR, P.E. - CITY ENGINEER CITY OF WICHITA PROJECT NO. 468-84167 <b>Professional Engineering Consultants, P.A.</b> 303 S. TOPEKA • WICHITA, KANSAS 67202 316-262-2691 • FAX 316-262-3003			
Designed by	MSN	Job No.	32-05493-2-42
Drawn by	WLL	Date	April 2006