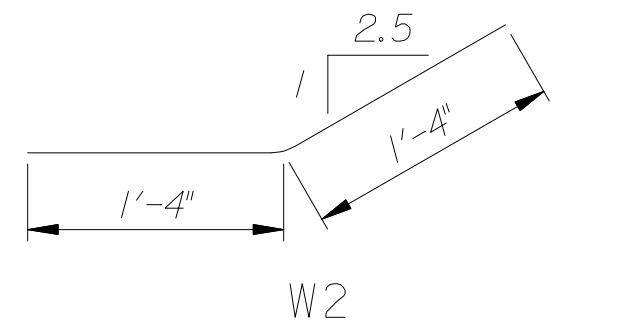
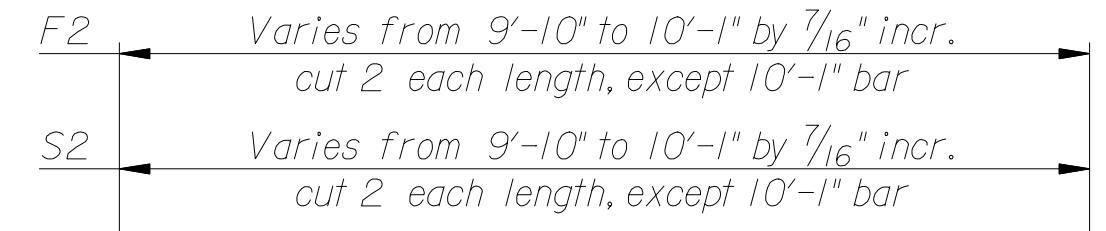
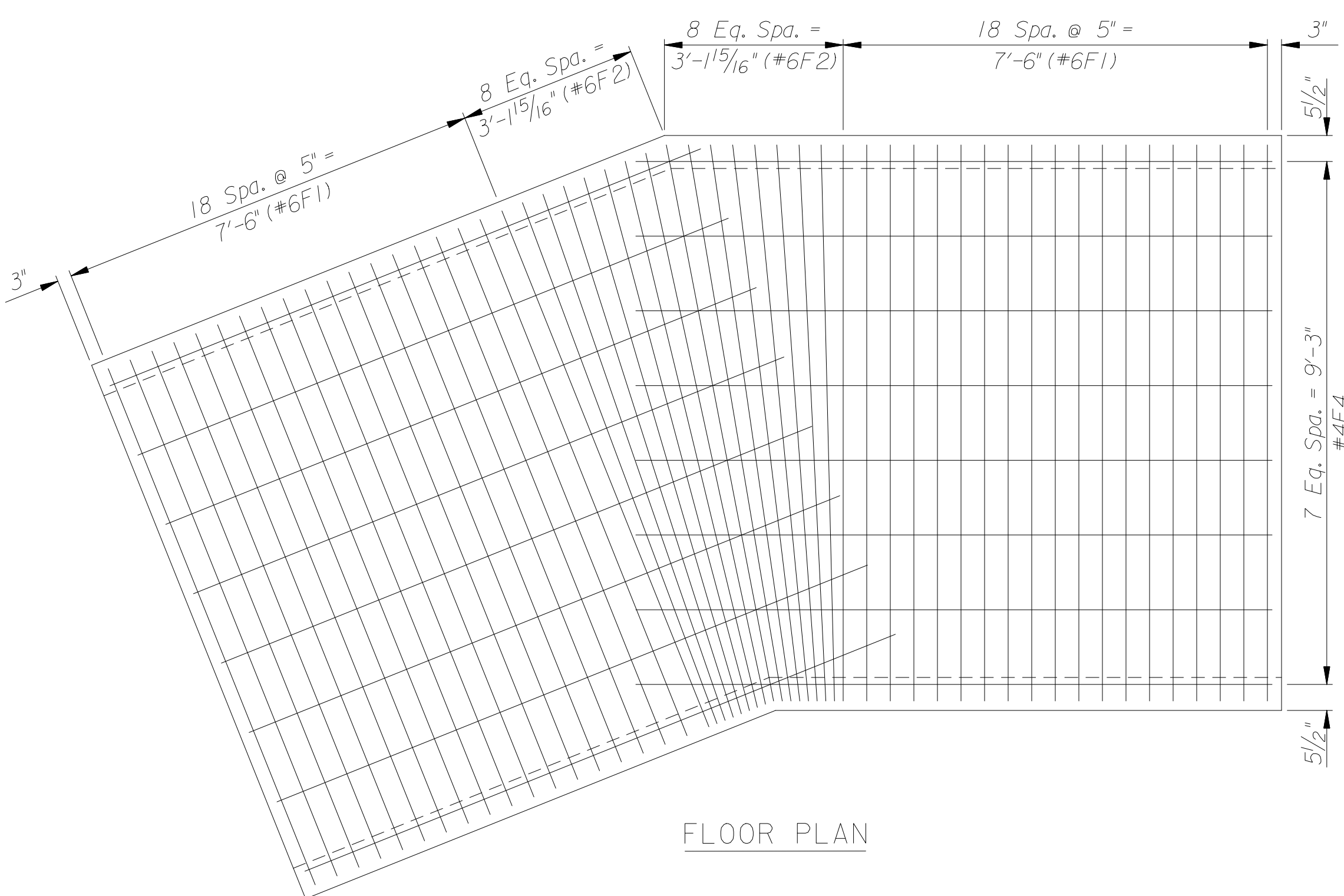
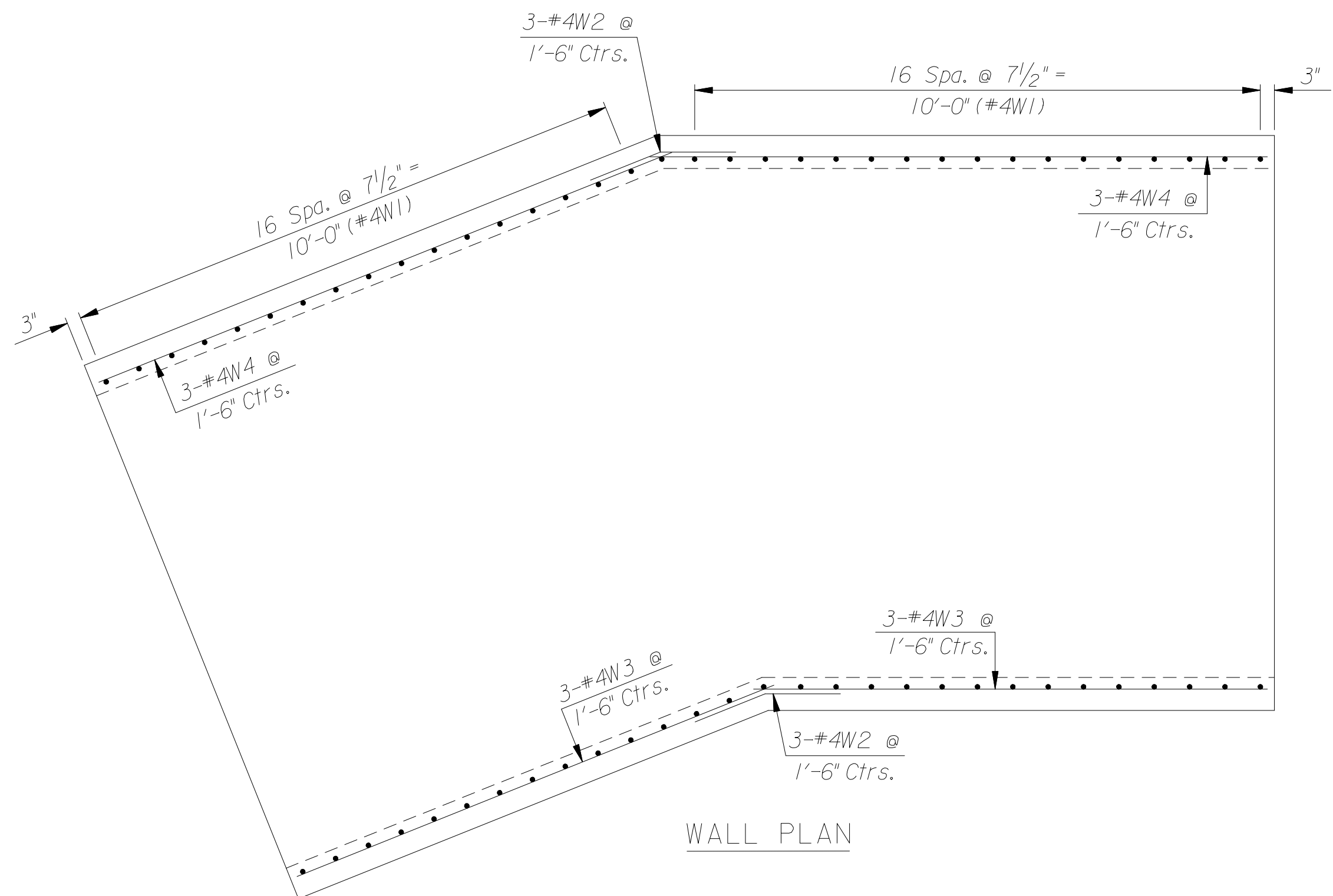
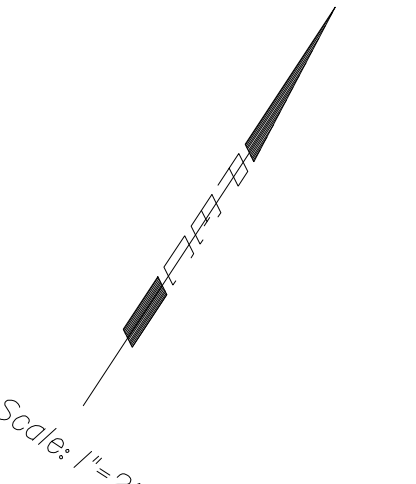


REINFORCING STEEL							
Straight Bars				Bent Bars			
Mark	No.	Size	Length	Mark	No.	Size	Length
F1	38	#6	9'-10"	W2	6	#4	2'-8"
F2	15	#6	Varies				
F4	16	#4	11'-3"				
S1	38	#6	9'-10"				
S2	15	#6	Varies				
S4	14	#4	11'-6"				
W1	64	#4	6'-4"				
W3	6	#4	9'-1"				
W4	6	#4	10'-11"				

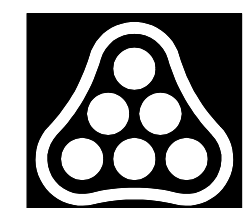
BILL OF MATERIALS			
Item	Quantity	Unit	
Concrete	16.4	C.Y.	
Reinforcing Steel (Grade 60)	2161	Lbs.	



W2
BENDING DIAGRAMS
Dimensions are out to out of bars



Saved: 03-15-2006 3:05:55 PM by: msn
 Plot Scale: 1"=2'-5-25-2006
 P:\2005\05493-2\05493-002-PISection-4.dgn

	No.	Revision	By	Date
	DOWNTOWN ARENA SWD OUTFALL PHASE 1 - WATERWALK PORTION			
	P.I. SECTION #4			
	JAMES L. ARMOUR, P.E. - CITY ENGINEER CITY OF WICHITA PROJECT NO. 468-84167 Professional Engineering Consultants, P.A. 303 S. TOPEKA • WICHITA, KANSAS 67202 316-262-2691 • FAX 316-262-3003			
Designed by	MSN	Job No.	32-05493-2-42	Sht. 18 of 47
Drawn by	MSN	Date	April 2006	