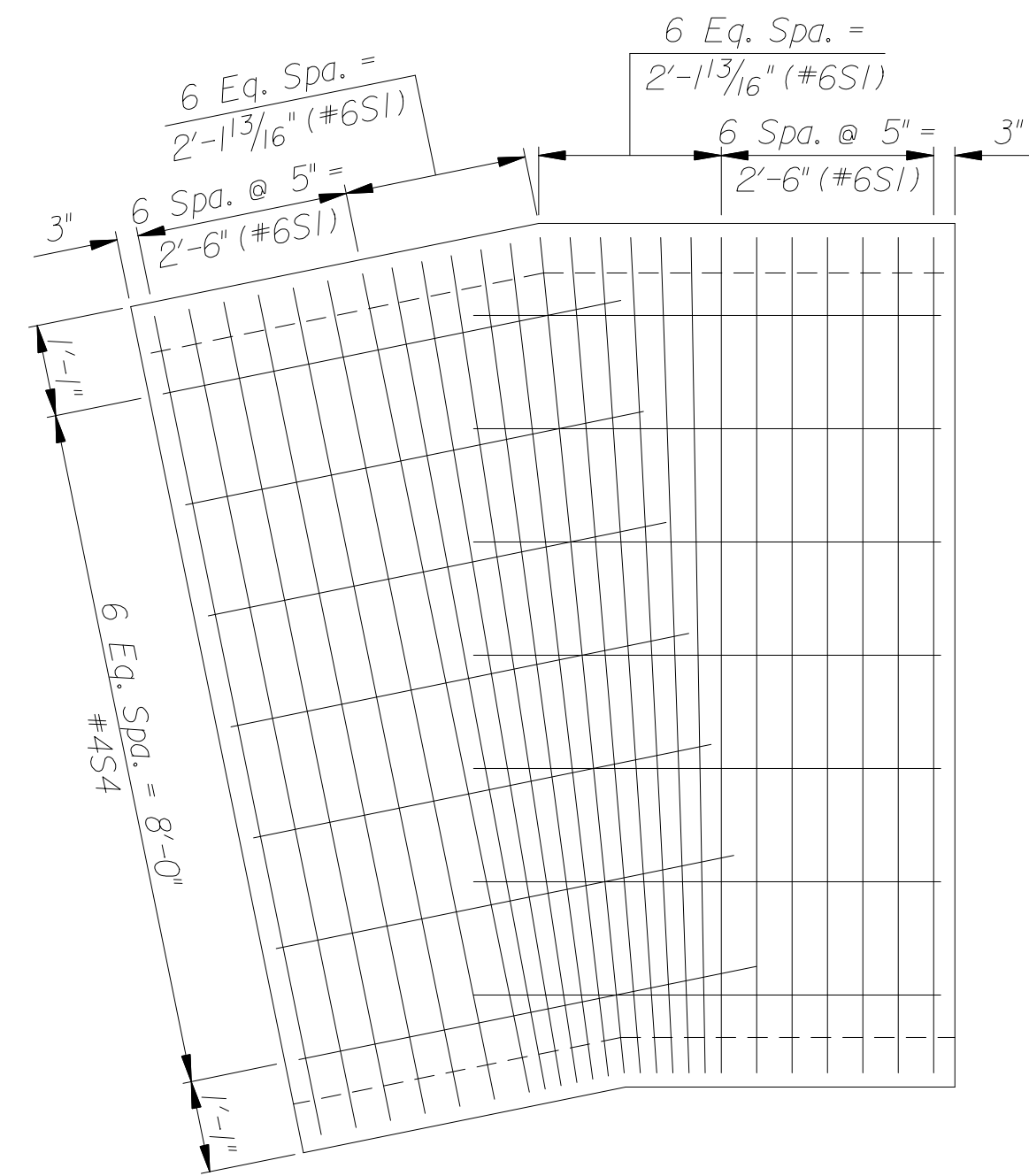
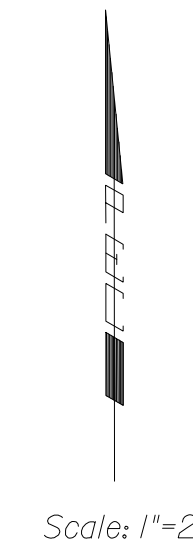


PLAN
Dimensional Control

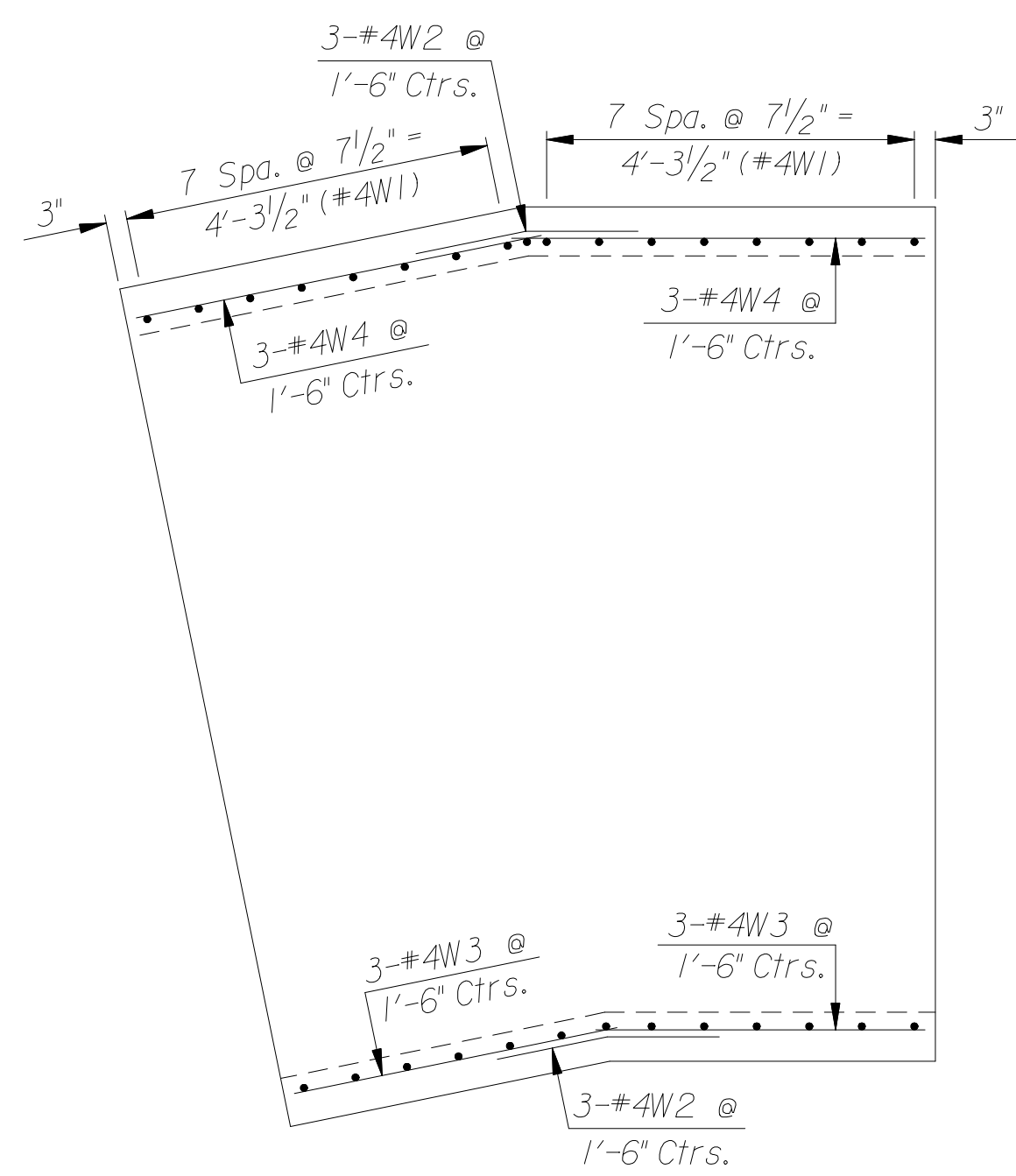


SLAB PLAN

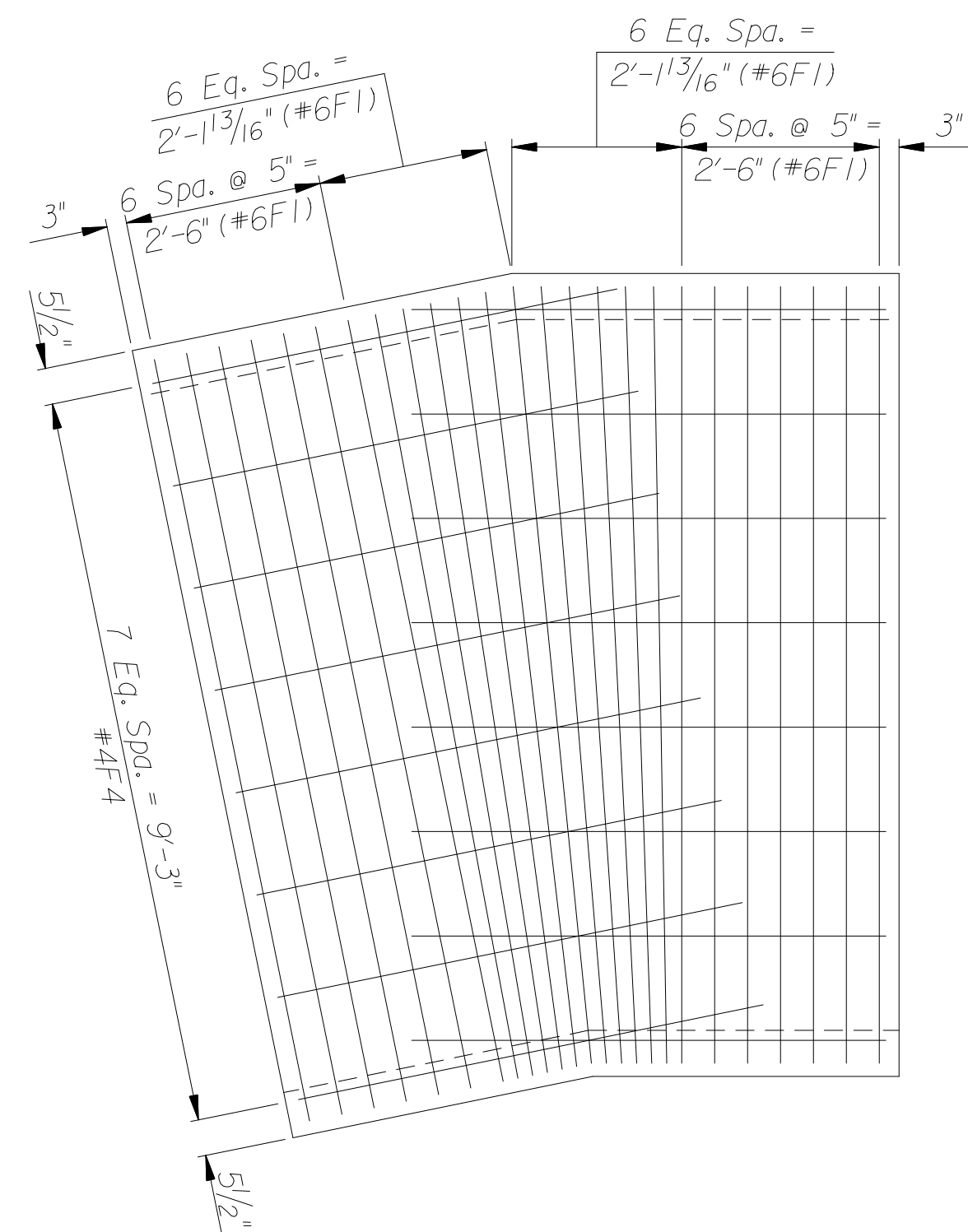


REINFORCING STEEL							
Straight Bars				Bent Bars			
Mark	No.	Size	Length	Mark	No.	Size	Length
F1	25	#6	9'-10"	W2	6	#4	2'-8"
F4	16	#4	6'-0"				
S1	25	#6	9'-10"				
S4	14	#4	5'-6"				
W1	30	#4	6'-4"				
W3	6	#4	3'-11"				
W4	6	#4	4'-11"				

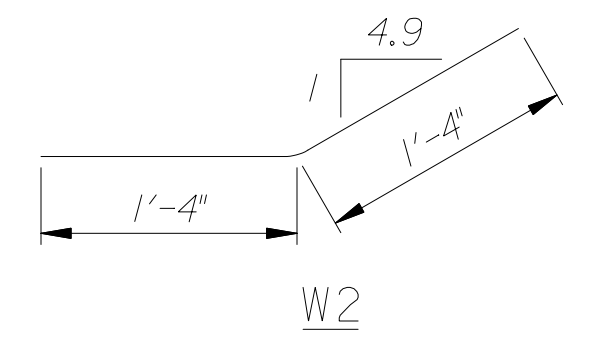
BILL OF MATERIALS			
Item	Quantity	Unit	
Concrete	7.3	C.Y.	
Reinforcing Steel (Grade 60)	1027	Lbs.	



WALL PLAN



FLOOR PLAN



W2
BENDING DIAGRAM
Dimensions are out to out of bars

Sheet 4-10-2006 11:05:55 PM by msn
 Plot Scale: 1"=2'-5-25-2006
 P:\2005\05493-2\05493-002-PS\Section-7.dgn

	No.	Revision	By	Date
	DOWNTOWN ARENA SWD OUTFALL PHASE 1 - WATERWALK PORTION P.I. SECTION #7 JAMES L. ARMOUR, P.E. - CITY ENGINEER CITY OF WICHITA PROJECT NO. 468-84167 Professional Engineering Consultants, P.A. 303 S. TOPEKA • WICHITA, KANSAS 67202 316-262-2691 • FAX 316-262-3003			
	Designed by	MSN	Job No.	32-05493-2-42
	Drawn by	MSN	Date	April 2006

Sht. 21 of 47