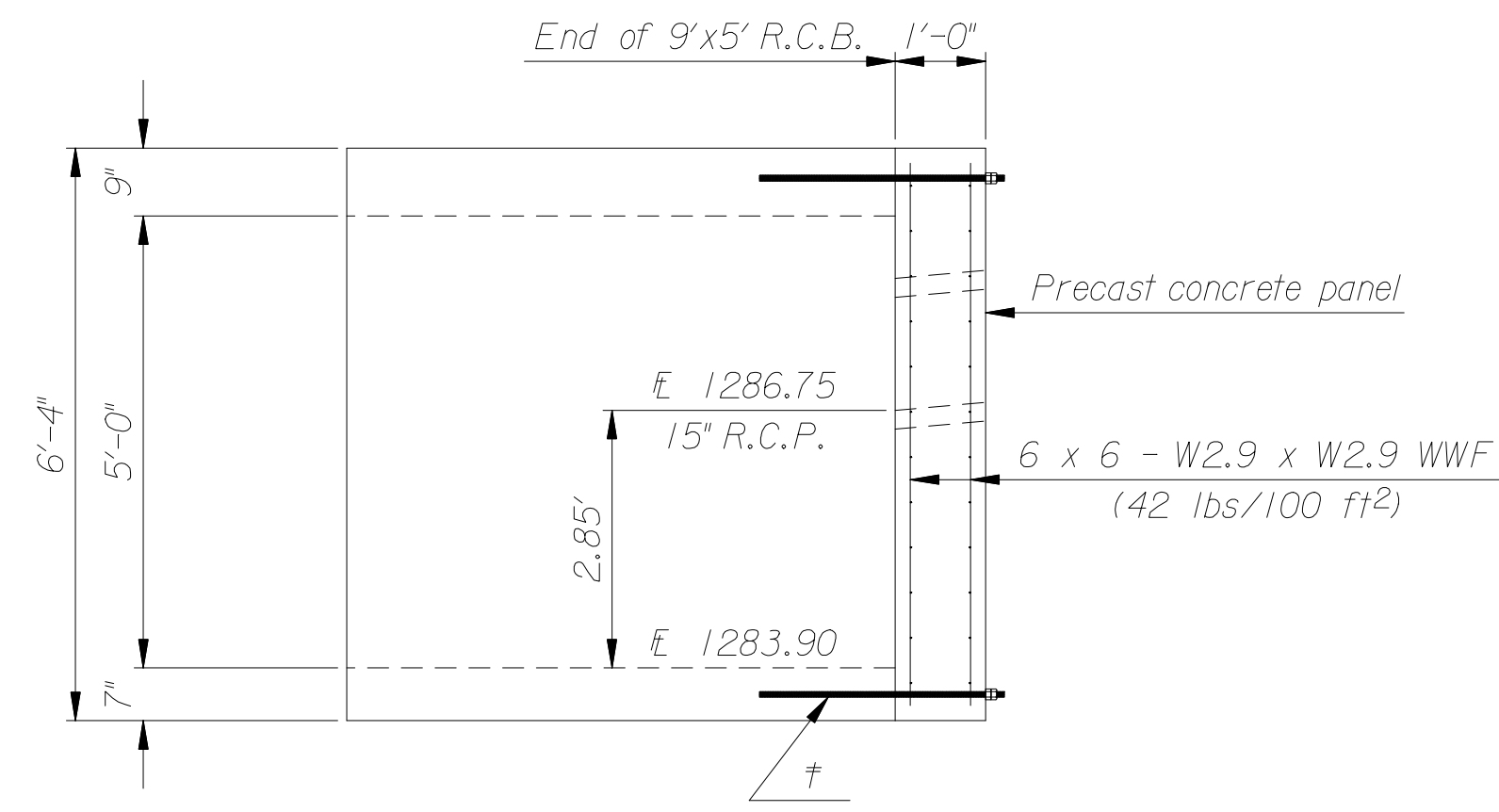
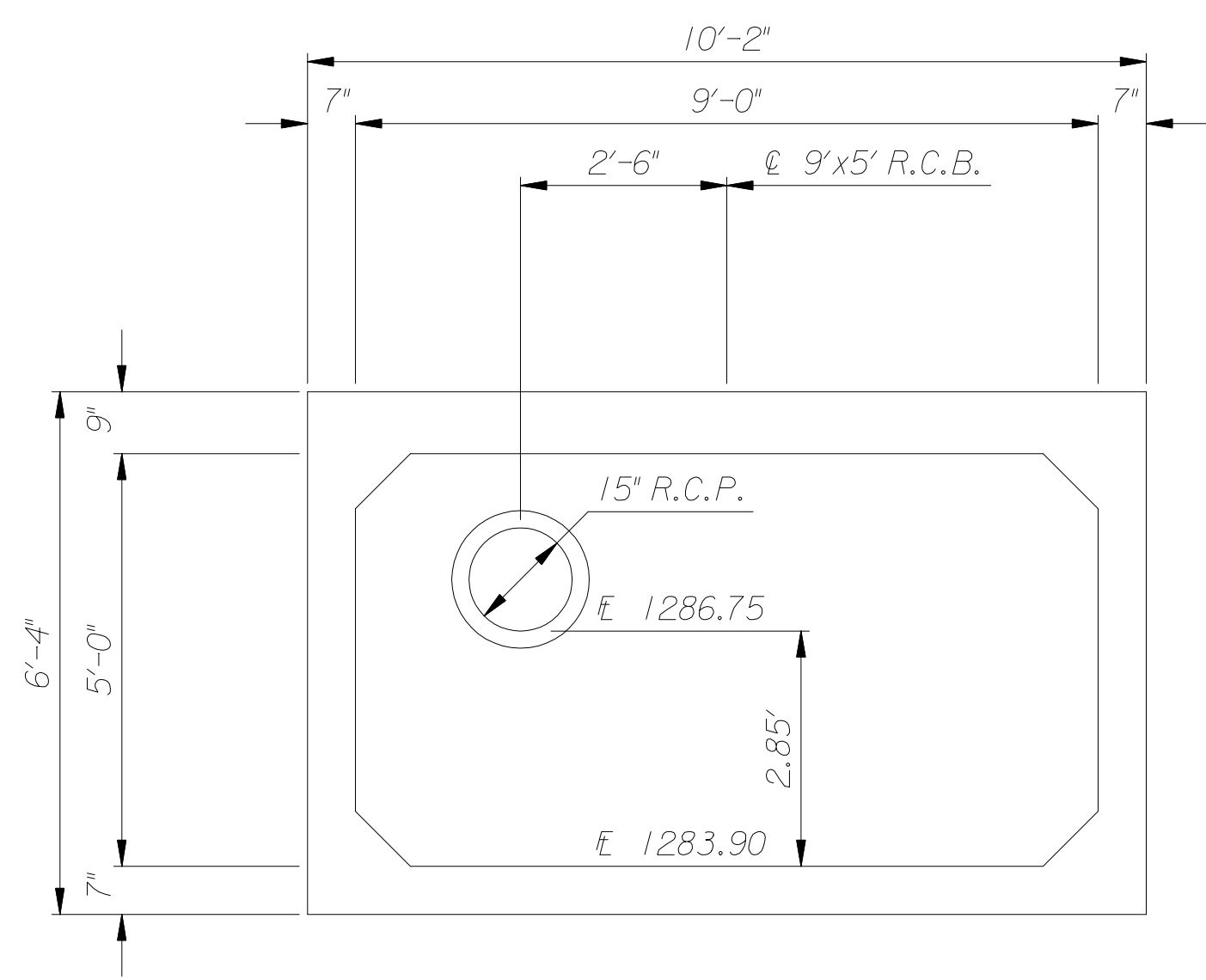


TYPICAL SECTION

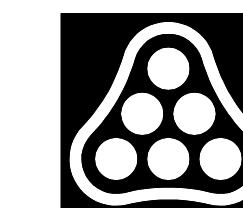
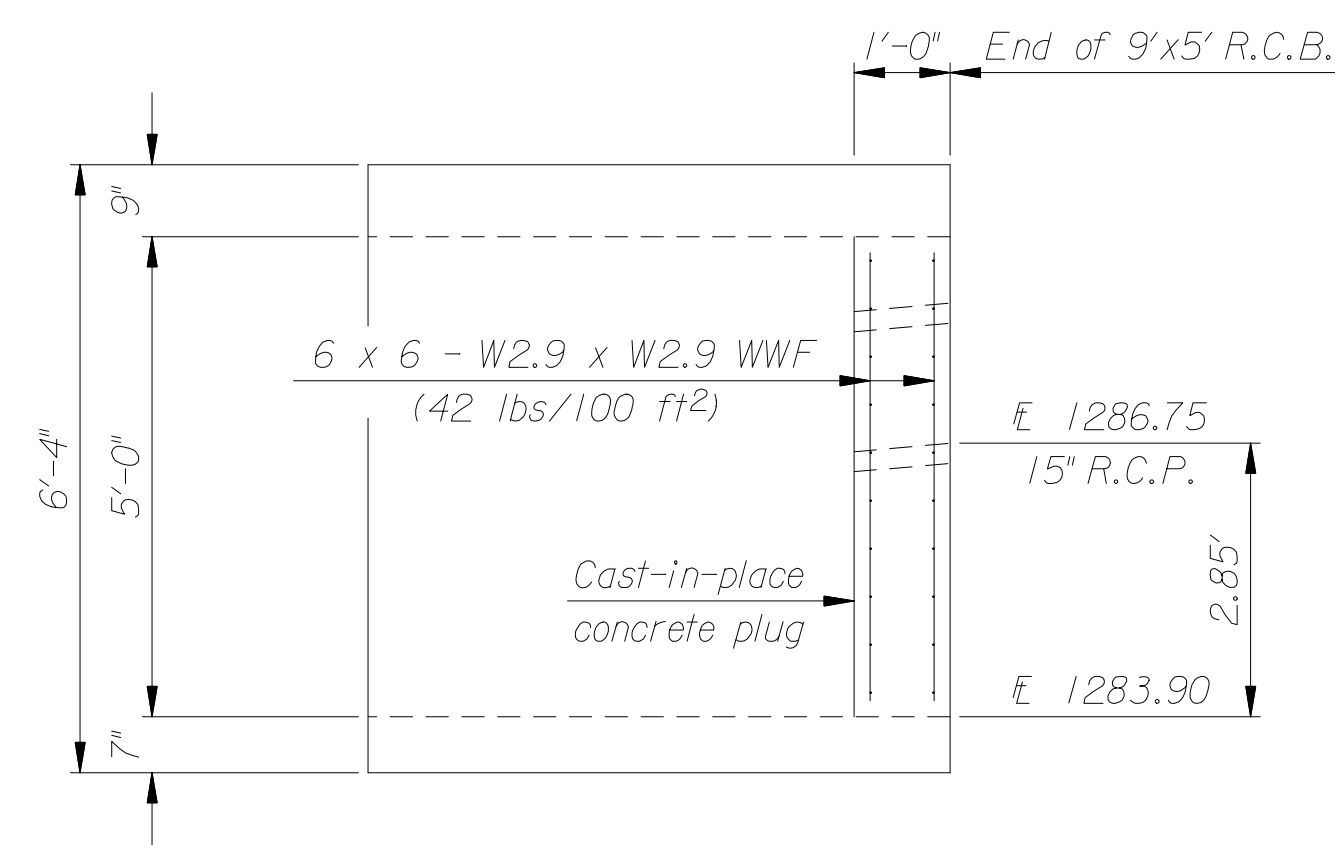
† 3/4" Dia. x 2'-8" All-Thread Rod (ASTM F1554 Grade 55) with Double Heavy Hex Nuts (ASTM A563A). Drill and grout 1'-6" into 9'x5' Precast R.C.B.. Typical each corner.



CONSTRUCTION: Construct a concrete plug according to one of the methods depicted or submit an alternate method for approval by the Engineer. The plug shall seal the 9'x5' R.C.B. and have an allowance for the 15" R.C.P. Construction of the plug will be subsidiary to the construction of the 9'x5' R.C.B.



TYPICAL SECTION



No.	Revision	By	Date
	DOWNTOWN ARENA SWD OUTFALL PHASE 1 - WATERWALK PORTION		
	PRECAST R.C.B. PLUG		
	JAMES L. ARMOUR, P.E. - CITY ENGINEER CITY OF WICHITA PROJECT NO. 468-84167		
	Professional Engineering Consultants, P.A. 303 S. TOPEKA • WICHITA, KANSAS 67202 316-262-2691 • FAX 316-262-3003		
Designed by	MSN	Job No. 32-05493-2-42	Sht. 22 of 47
Drawn by	MSN	Date April 2006	