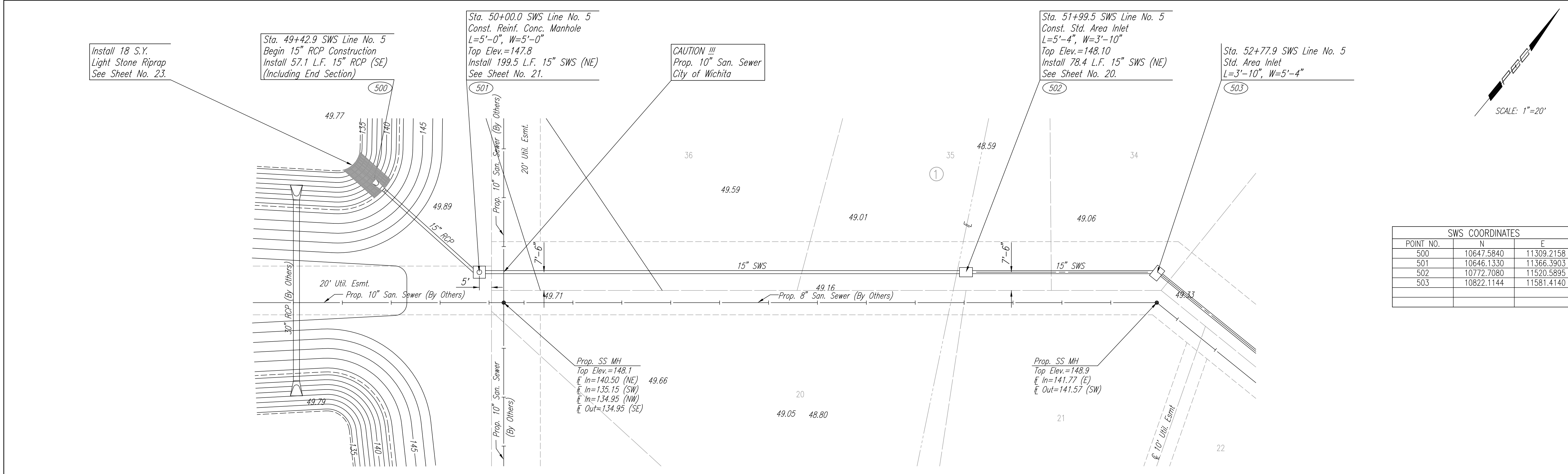


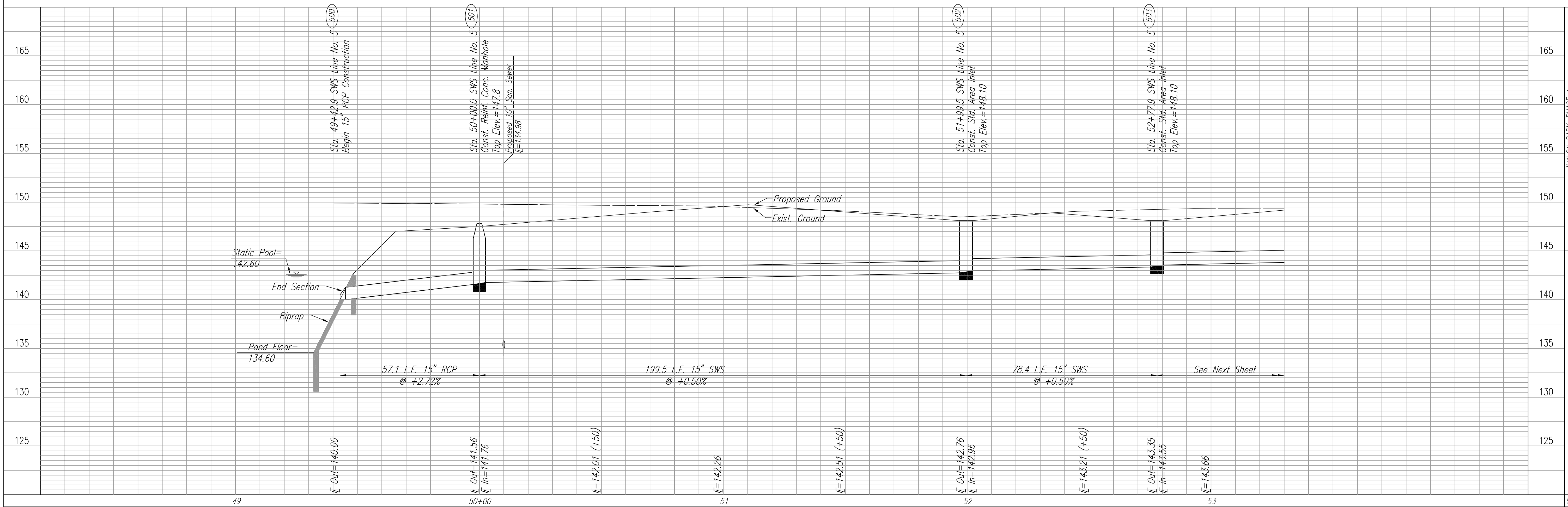
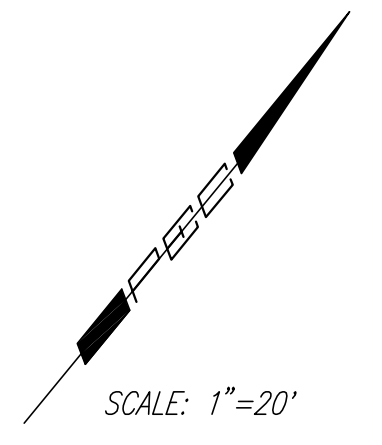
PLAN	CHECKED	DATE
	CHECKED	

PROFILE	CHECKED	DATE
	CHECKED	

DSNR: BOB OPER: BUS SCALE: 1"=20.00
 Q:\2003\03345\000\SWS\line5-1 02-10-2004 08:47:57 am



SWS COORDINATES		
POINT NO.	N	E
500	10647.5840	11309.2158
501	10646.1330	11366.3903
502	10772.7080	11520.5895
503	10822.1144	11581.4140



AVALON PARK - PHASE 1
SWS LINE NO. 5

Professional Engineering Consultants, P.A.
 303 S. TOPEKA • WICHITA, KANSAS 67202
 316-262-2691 • FAX 316-262-3003

Designed By: BOB Job No.: 35-03345-000
 Drawn By: BUS Date: JUNE 2002

JAMES L. ARMOUR, P.E. - ACTING CITY ENGINEER
 CITY OF WICHITA PROJECT NO. 477-85835

Sheet 17 of 43