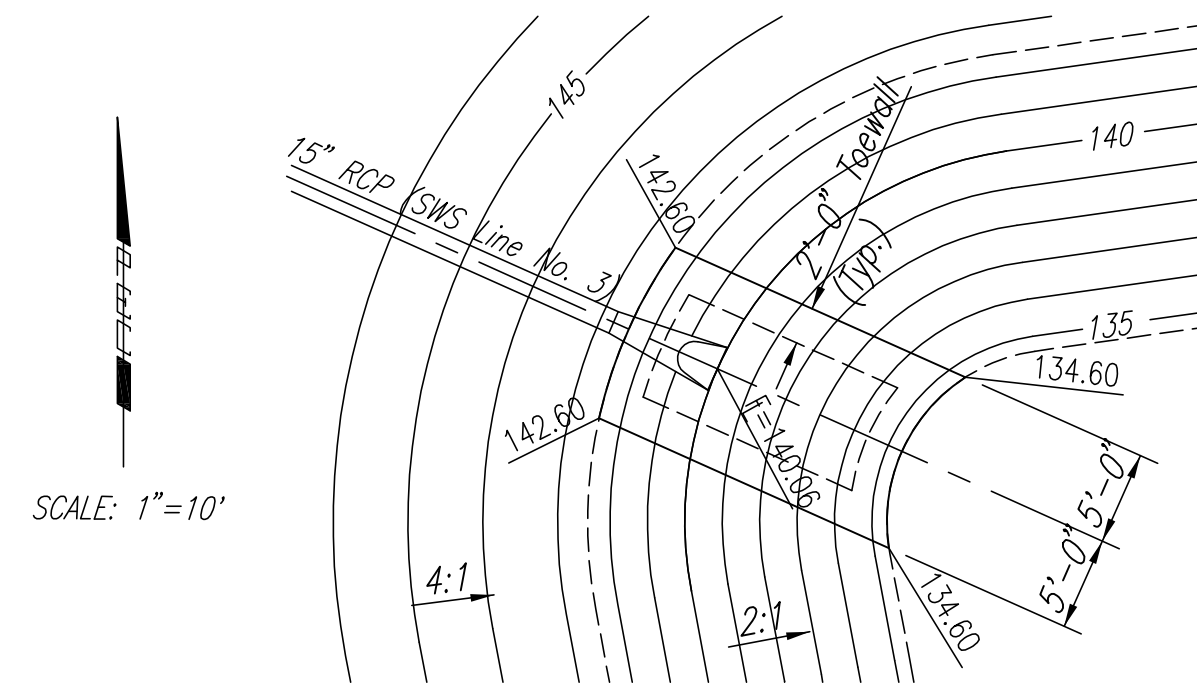
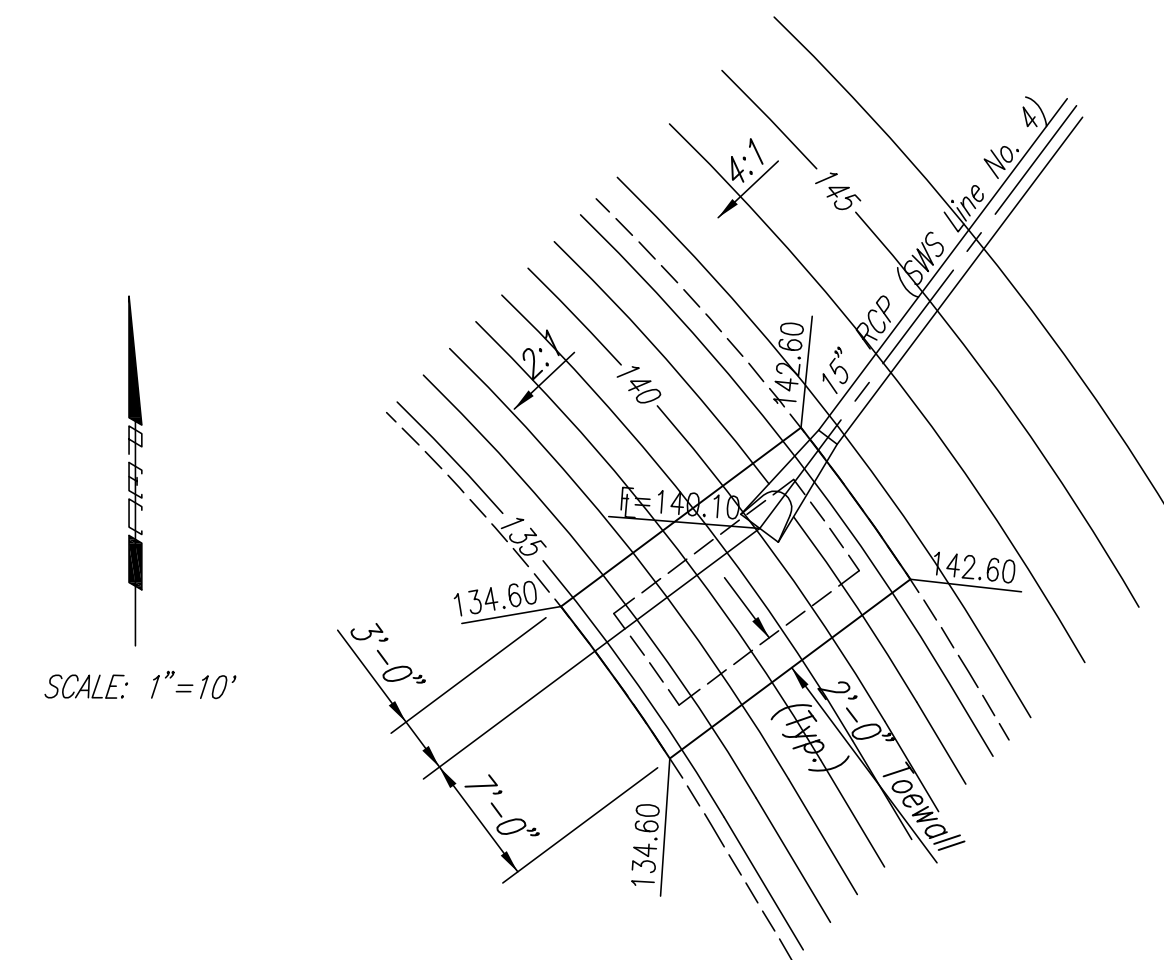


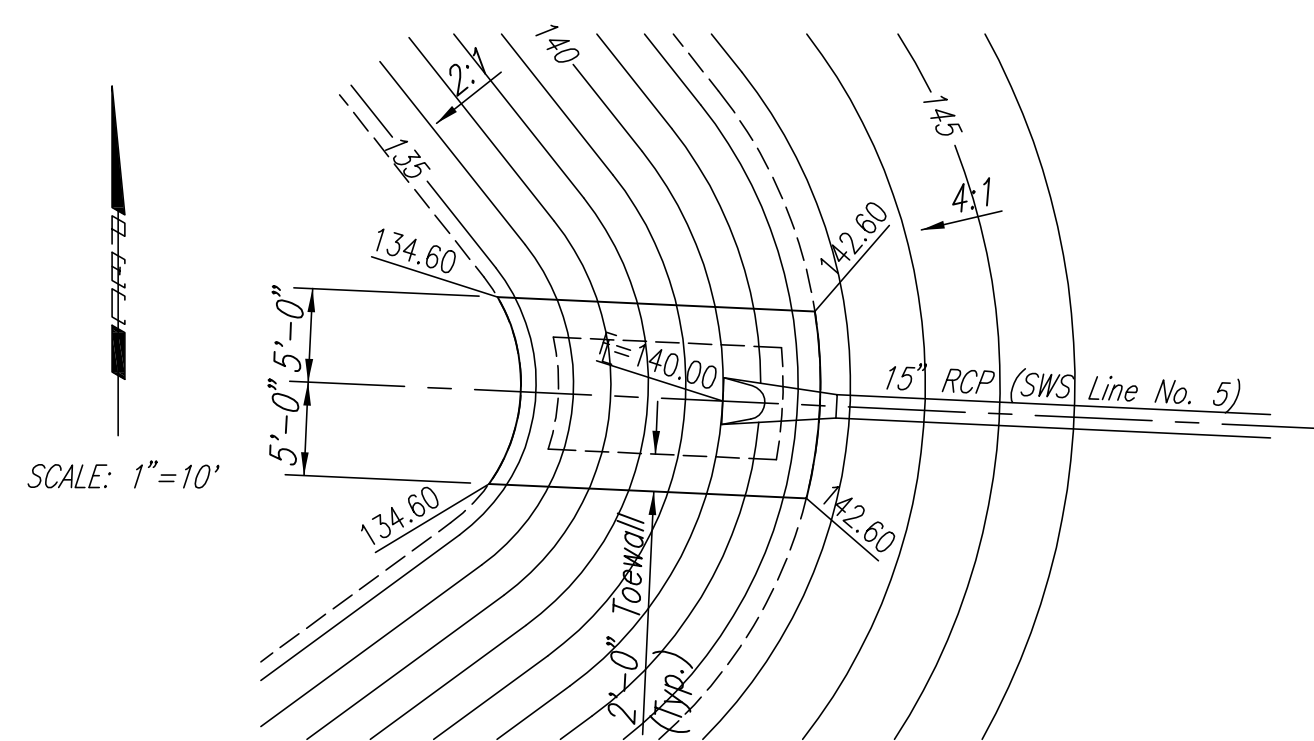
RIPRAP PLAN
(SWS Line No. 2)



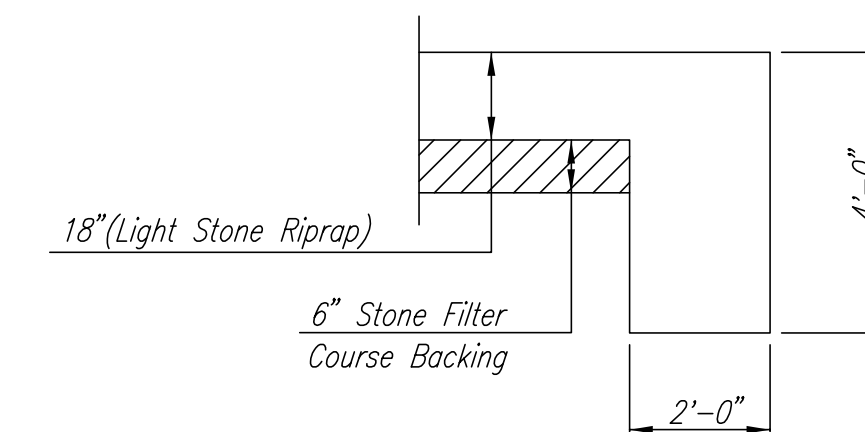
RIPRAP PLAN
(SWS Line No. 3)



RIPRAP PLAN
(SWS Line No. 4)



RIPRAP PLAN
(SWS Line No. 5)

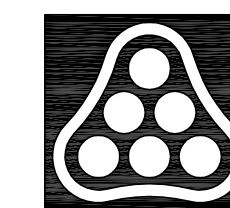


TYPICAL SECTION THRU TOEWALL
NO SCALE

NOTES

1. ALL RIPRAP FOR THIS PROJECT SHALL BE NATURAL STONE. NEITHER BROKEN CONCRETE, FABRIC ENVELOPE, NOR PREMIXED DRY PACKAGED CONCRETE BAG ALTERNATES WILL BE ALLOWED.
2. TOEWALLS SHALL BE INSTALLED ALONG ALL EDGES OF STONE RIPRAP.
3. GROUTING OF THE SURFACE OF THE RIPRAP SHALL NOT BE PERFORMED. GROUTING OF THE TOEWALLS SHALL BE PERFORMED PER CITY SPECIFICATIONS.

DSNR: BDB OPER: BJS SCALE: 1=10.00
Q:\2003\03345\000\MISC DRNDTL 02-10-2004 08:56:55 am



No.	Revision	By	Date
AVALON PARK-PHASE 1			
MISCELLANEOUS DRAINAGE DETAILS			
JAMES L. ARMOUR, P.E.-ACTING CITY ENGINEER CITY OF WICHITA PROJECT NO. 472-83835			
Professional Engineering Consultants, P.A. 303 S. TOPEKA • WICHITA, KANSAS 67202 316-262-2691 • FAX 316-262-3003			
Designed by	BDB	Job No.	35-03345-000
Drawn by	BJS	Date	JUNE 2002
			Sht. 23 of 43