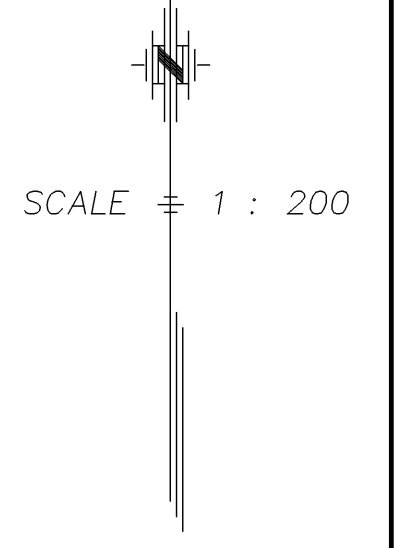
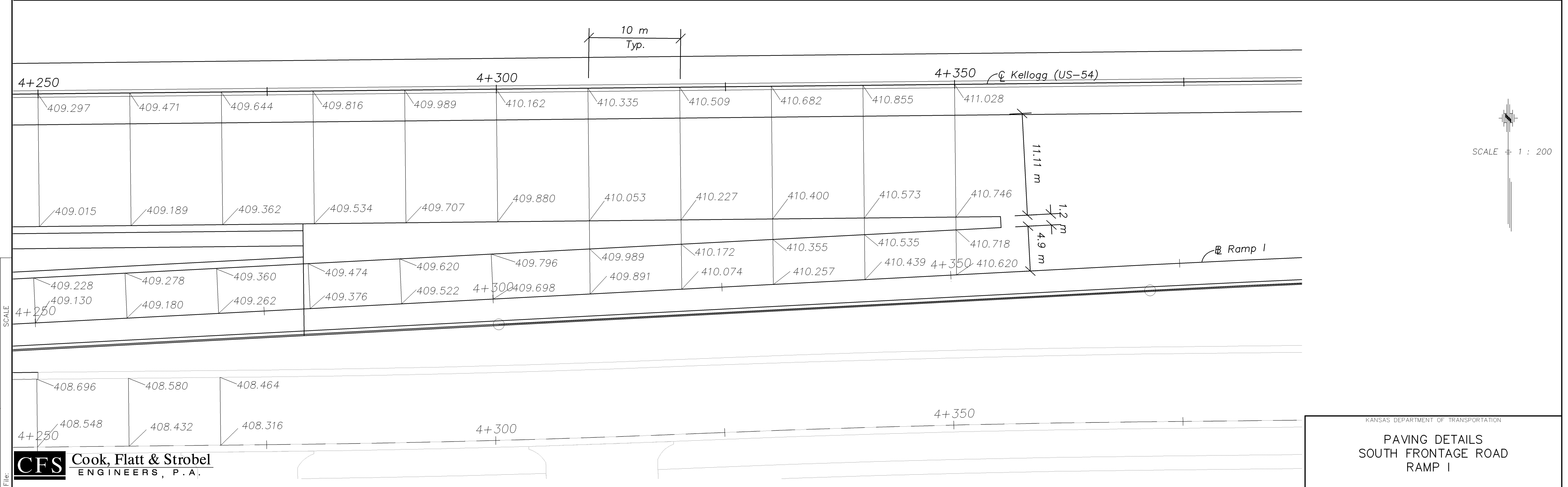
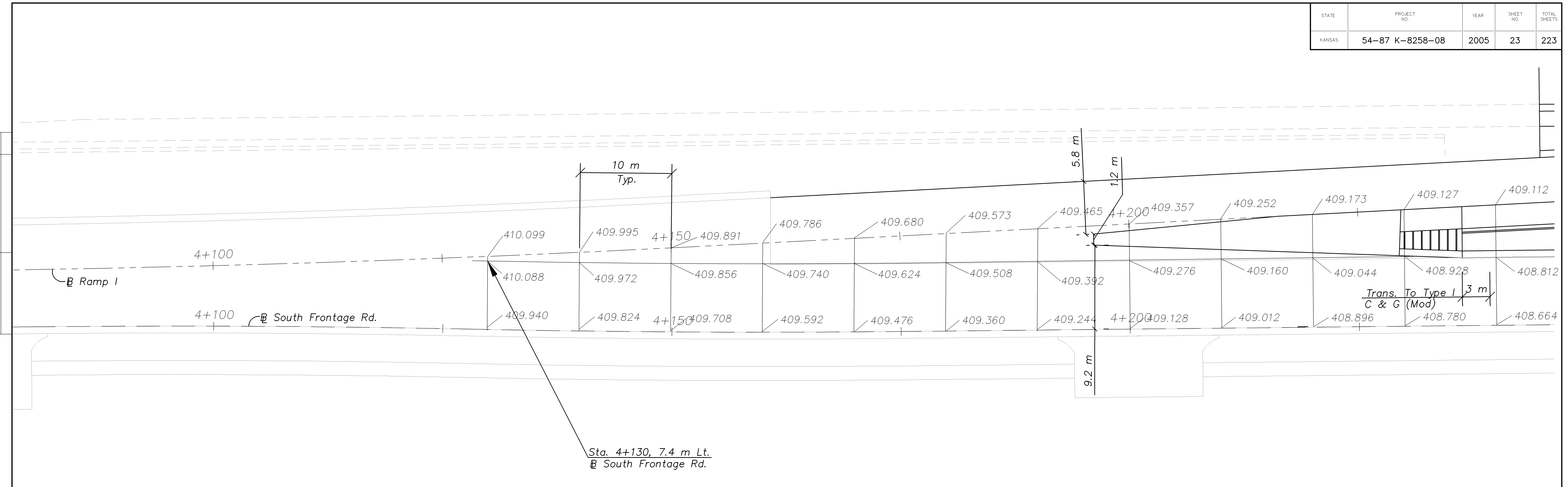


| STATE | PROJECT NO. | YEAR | SHEET NO. | TOTAL SHEETS |
|--------|-----------------|------|-----------|--------------|
| KANSAS | 54-87 K-8258-08 | 2005 | 23 | 223 |

| DATE | BY | REFERENCE NOTED | REFERENCE CHECKED |
|------|----|-----------------|-------------------|
| | | | |



Drawn by: **CFS** Cook, Flatt & Strobel ENGINEERS, P.A.

KANSAS DEPARTMENT OF TRANSPORTATION
PAVING DETAILS
 SOUTH FRONTAGE ROAD
 RAMP I