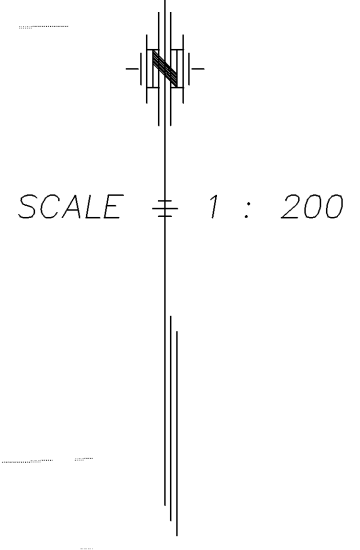
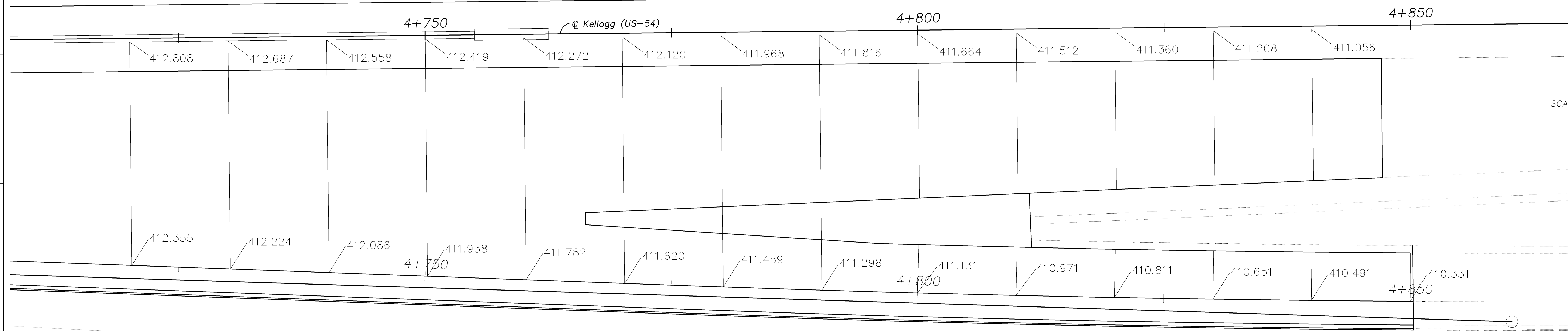


| STATE | PROJECT NO. | YEAR | SHEET NO. | TOTAL SHEETS |
|--------|-----------------|------|-----------|--------------|
| KANSAS | 54-87 K-8258-08 | 2005 | 25 | 223 |

| | |
|-------------------|--|
| DATE | |
| BY | |
| REFERENCE NOTED | |
| REFERENCE CHECKED | |



| | |
|-----------|-------|
| Drawn by: | |
| Plotted: | |
| File: | SCALE |

CFS Cook, Flatt & Strobel
ENGINEERS, P.A.

KANSAS DEPARTMENT OF TRANSPORTATION
PAVING DETAILS
NORTH FRONTAGE ROAD
RAMP K