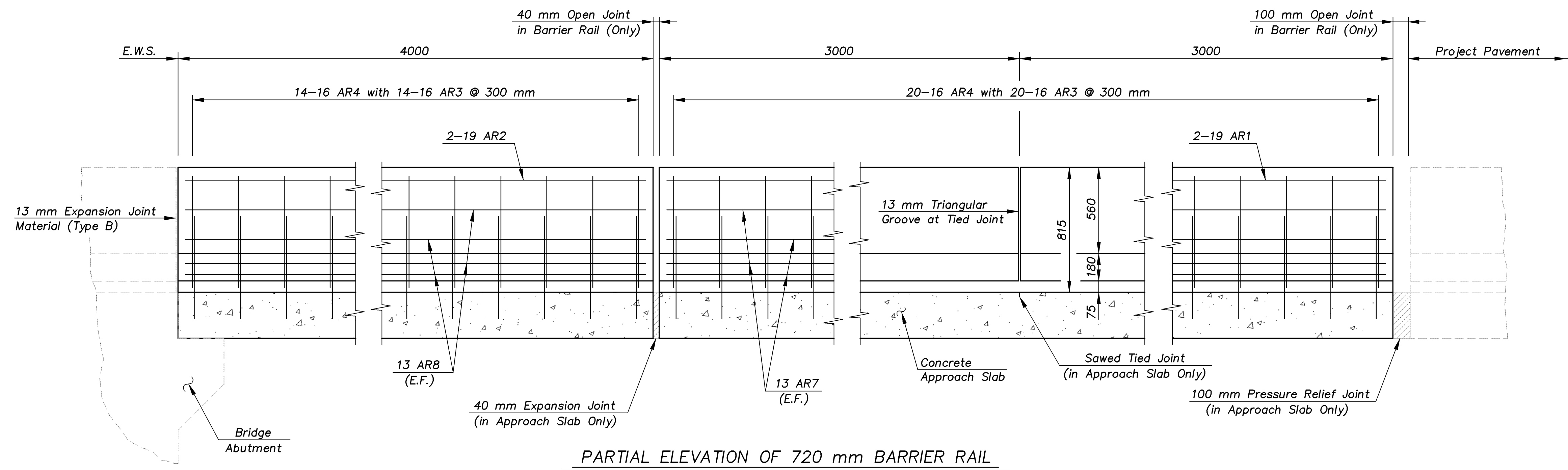
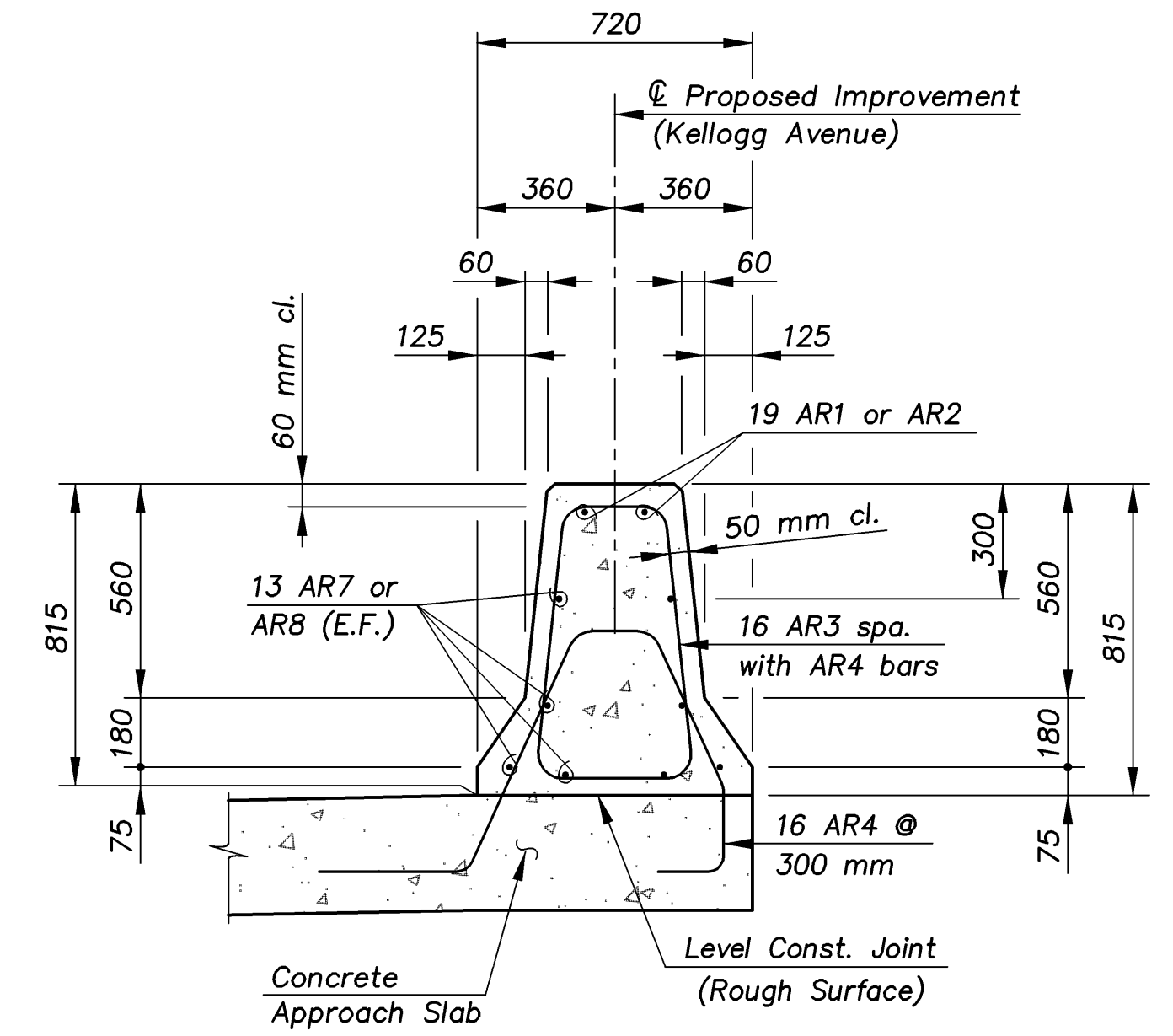


E.F. INDICATES EACH FACE.
 N.F. INDICATES NEAR FACE.
 F.F. INDICATES FAR FACE.

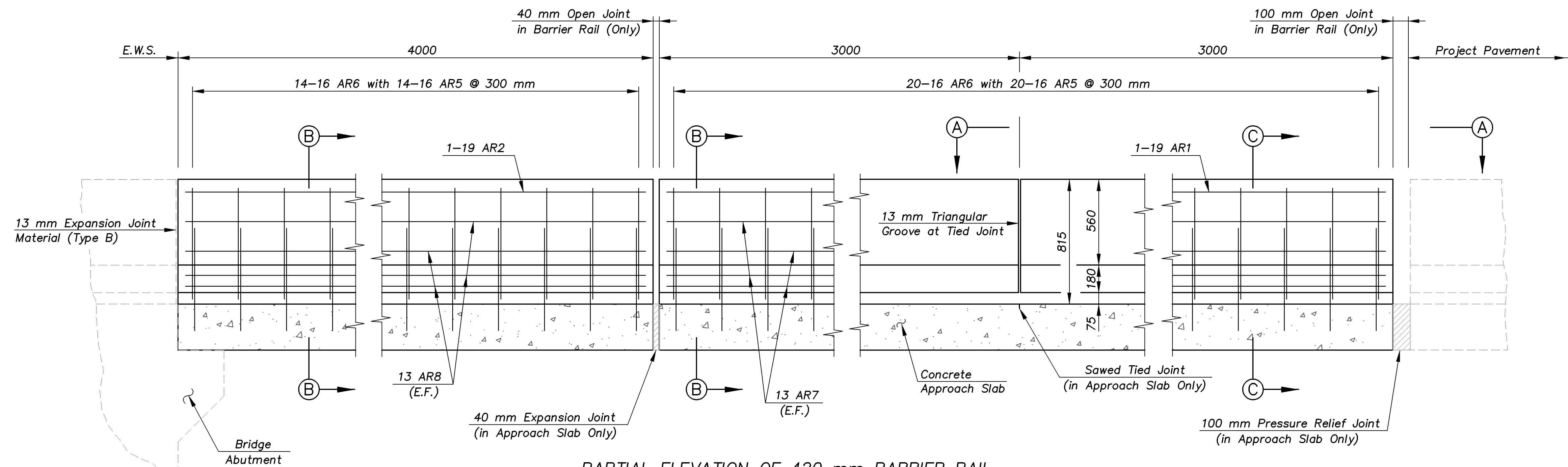
STATE	PROJECT NO.	YEAR	SHEET NO.	TOTAL SHEETS
KANSAS	54-87 K-8258-08	2005	31	223



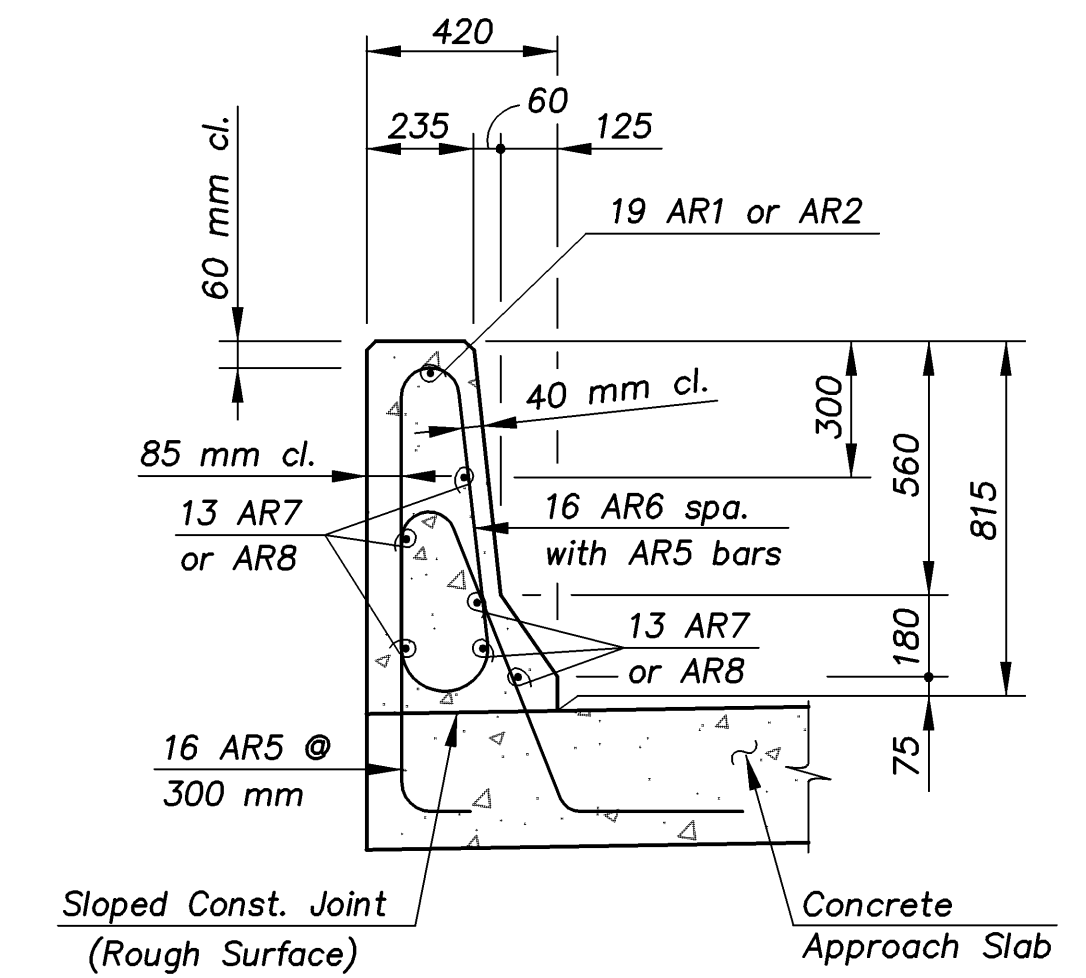
PARTIAL ELEVATION OF 720 mm BARRIER RAIL



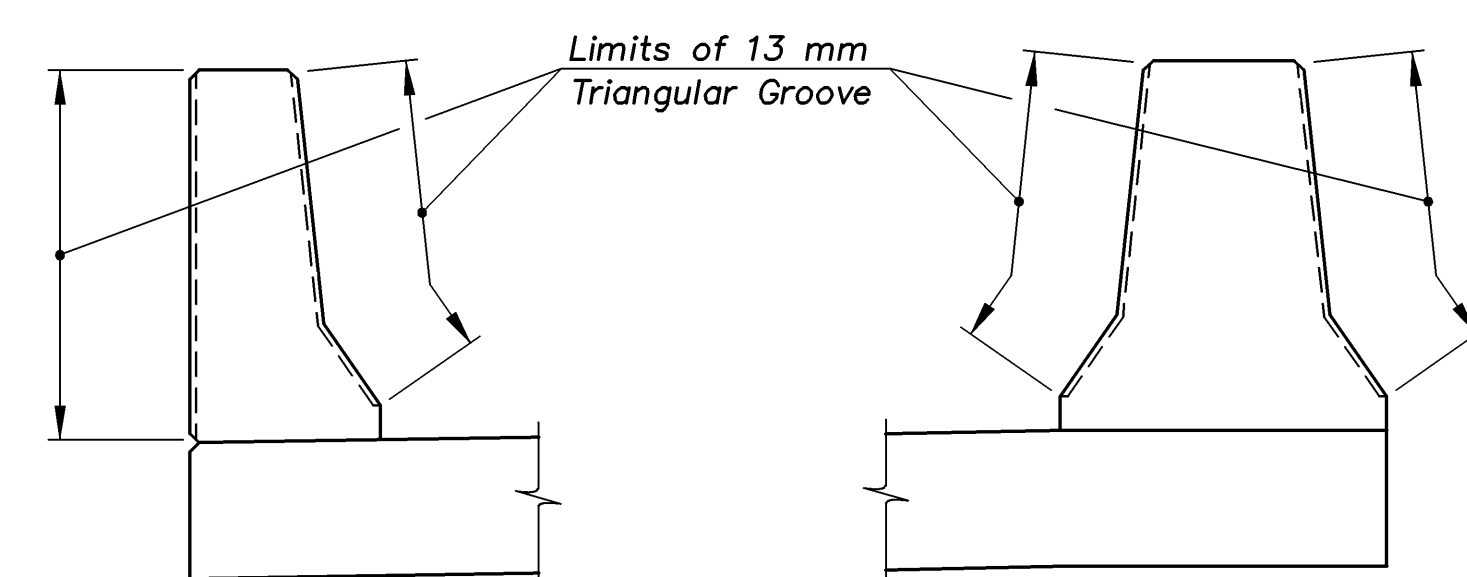
**TYPICAL SECTION
(720 mm Barrier Rail)**



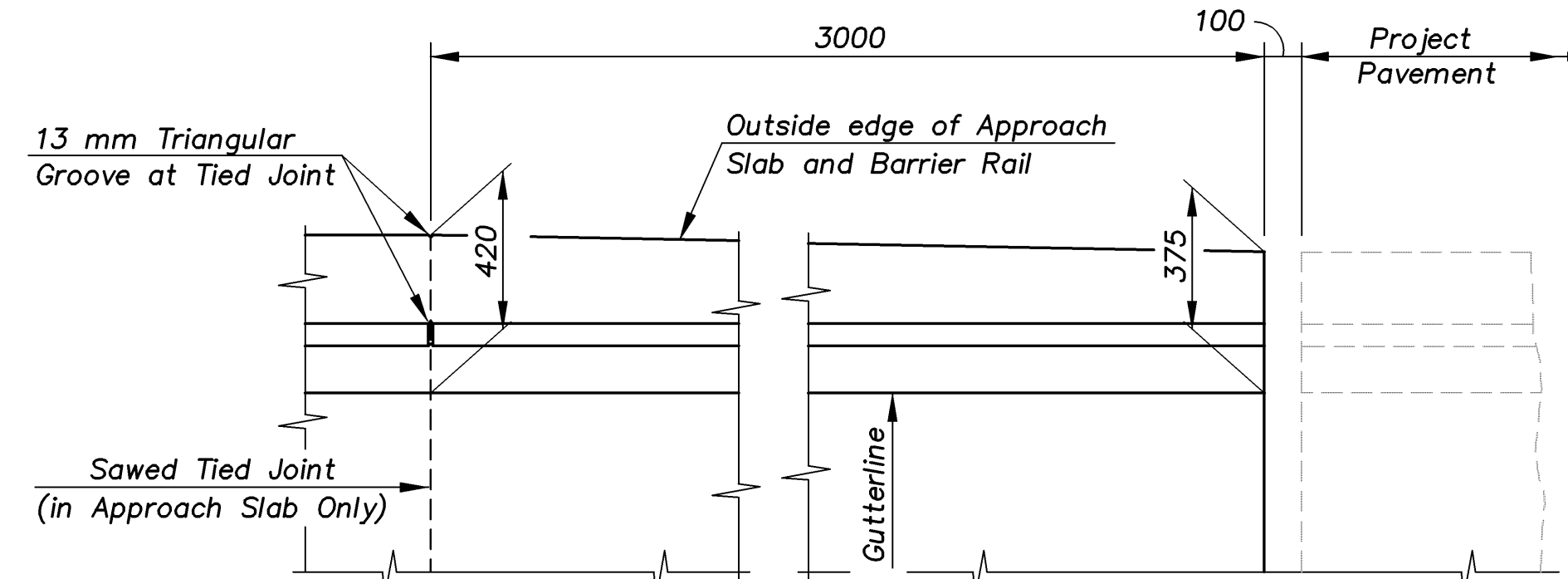
PARTIAL ELEVATION OF 420 mm BARRIER RAIL



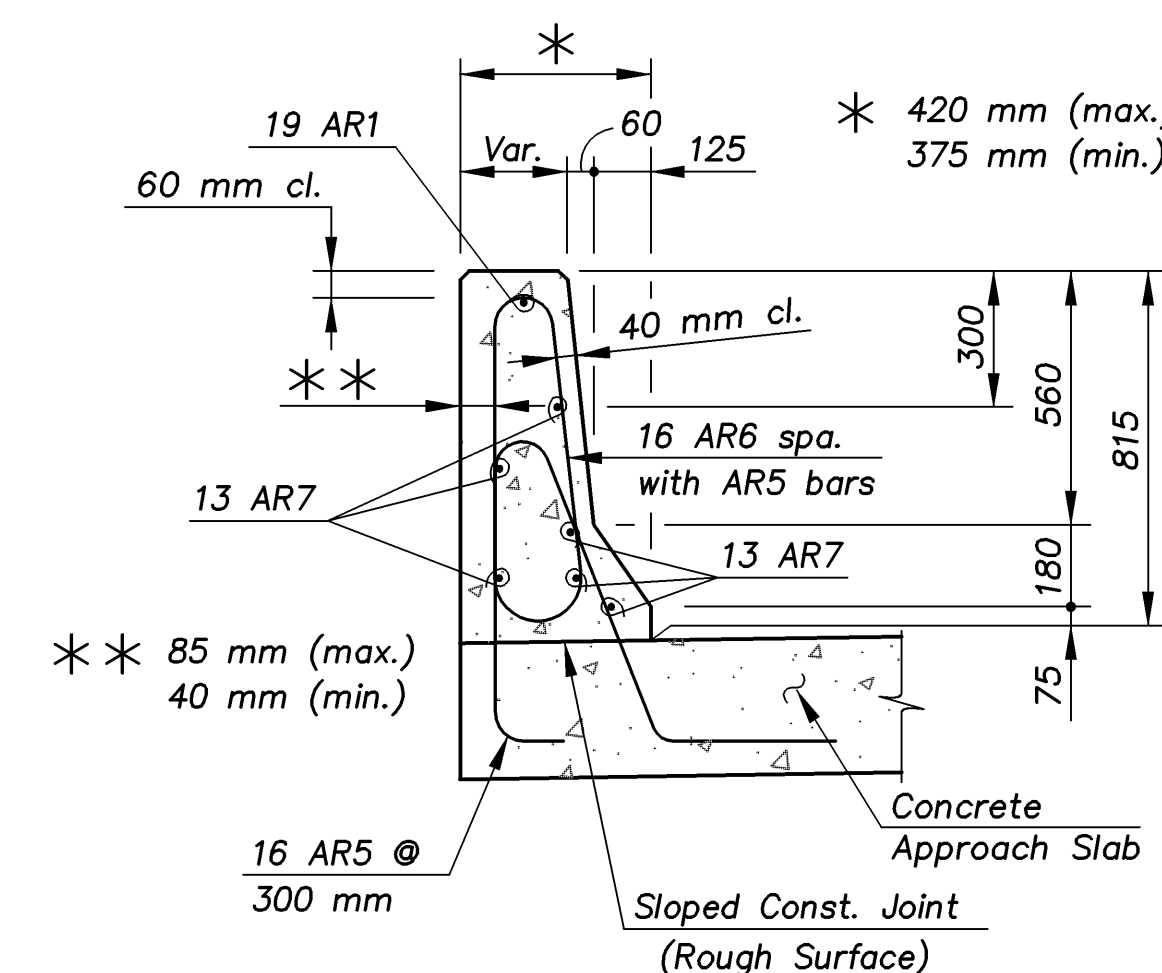
**SECTION B-B
(420 mm Barrier Rail)**



VERTICAL GROOVES AT TIED JOINTS




VIEW A-A



**SECTION C-C
(420 mm Barrier Rail)**

EASTERN/APPROACH 1:100

KANSAS DEPARTMENT OF TRANSPORTATION		BR. NO. 54-87-31.55(704) W.B.		STA. 4+575.138	
SPECIAL CONCRETE APPROACH PAVEMENT					
W.B. KELLOGG AVENUE OVER EASTERN					
Proj. No. 54-87 K-8258-08		SEDGWICK COUNTY		SHEET 3 OF 3	



Cook, Flatt & Strobel
ENGINEERS, P. A.

DESIGNED	R.S.C.	SCALE
DETAILED	T.R.G.	DATE
QUANTITIES	T.R.G.	SHEET