

E.F. INDICATES EACH FACE.
 N.F. INDICATES NEAR FACE.
 F.F. INDICATES FAR FACE.

STATE	PROJECT NO.	YEAR	SHEET NO.	TOTAL SHEETS
KANSAS	54-87 K-8258-08	2005	32	223

APPROACH SLAB NOTES

Special Concrete Bridge Approach shall be paid for as square meters of Concrete Pavement (300 mm Uniform)(AE) and includes all work and materials required to construct the Approach Slab as shown.

All work and materials required for installation of 40 mm Expansion Joints and 100 mm Pressure Relief Joints shall be *Subsidiary* to the bid item Concrete Pavement (300 mm Uniform)(AE).

The Barrier Rails on the Approach Slabs to be paid for as Concrete (Grade 31)(AE) and Reinforcing Steel (Grade 420) Epoxy Coated.

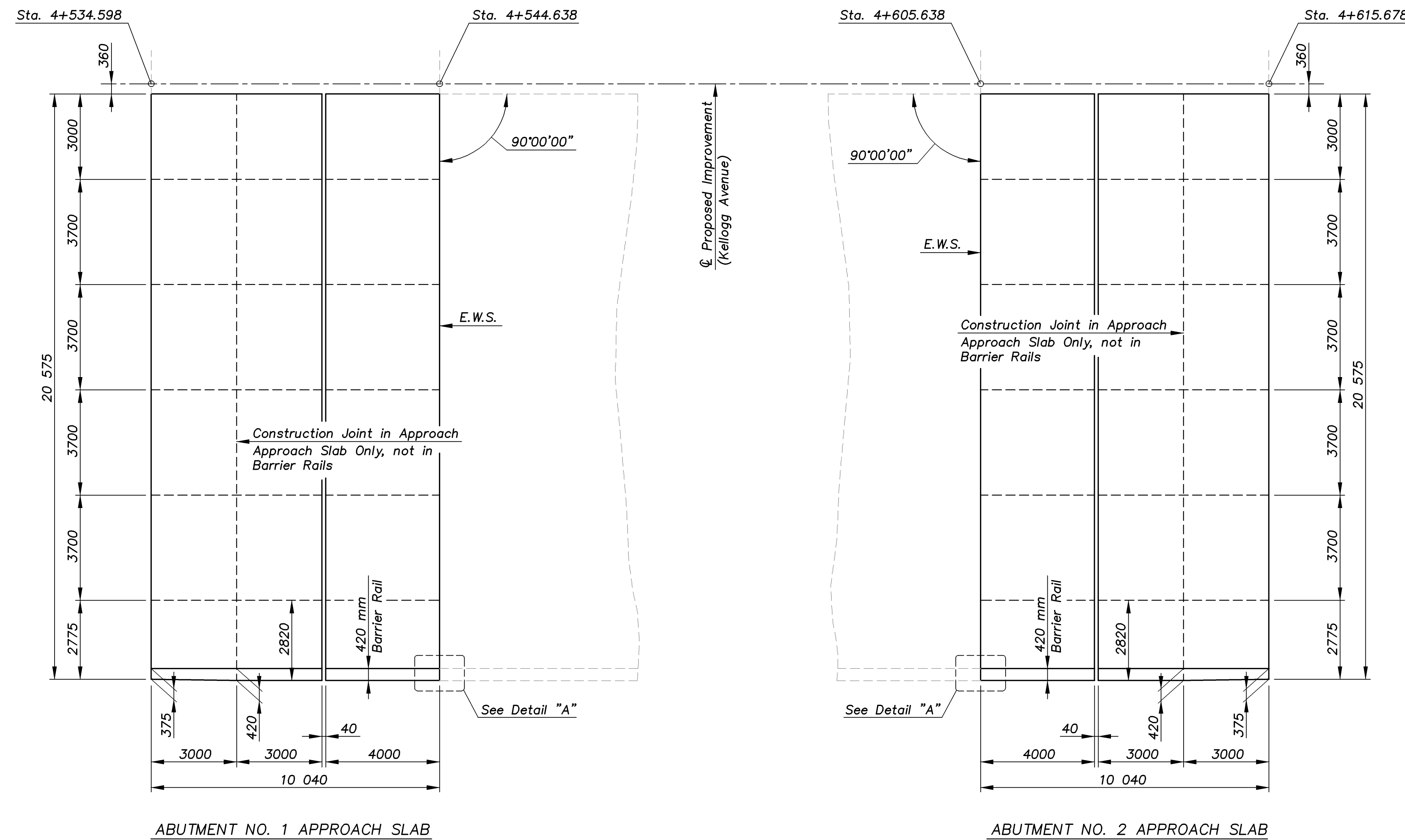
Unit Stresses:
 Concrete (Grade 31)(AE) $f'_c = 31 \text{ mpa}$
 Reinforcing Steel (Grade 420) $f_y = 420 \text{ mpa}$

Bevel all exposed Concrete edges with a 20 mm Triangular Molding, unless otherwise noted on the Plans. All formed joints shall be edged with a 6 mm radius edging tool for the length of the joint.

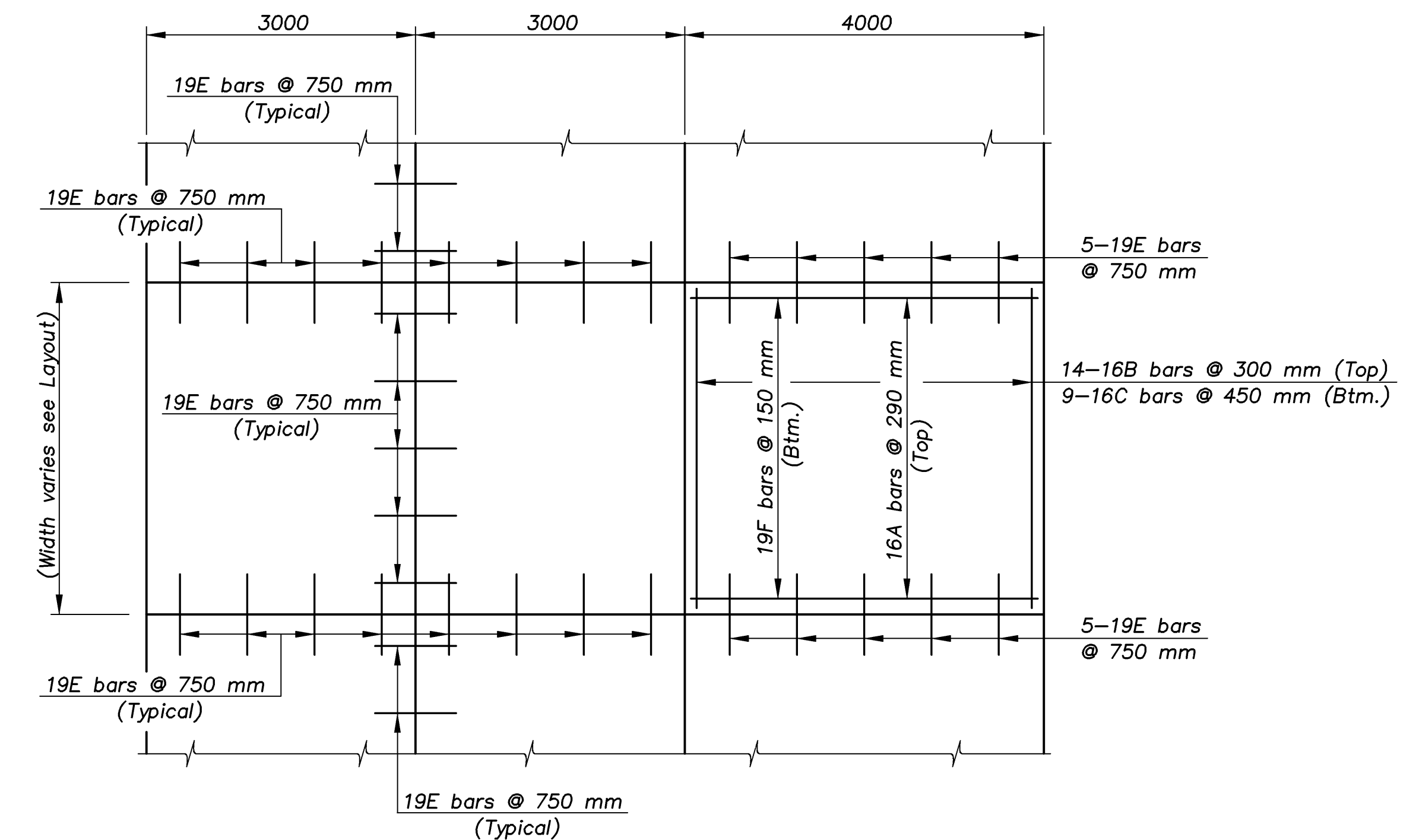
All dimensions relative to the placement of the Reinforcing Steel are to the centerline of bars unless otherwise noted. All Reinforcing Steel shall conform to the requirements of A615M-96, Grade 420. All Reinforcing Steel shall be coated with Epoxy as set forth in the KDOT Standard Specifications, 1990 Edition. All bar supports shall be coated.

The clearance from the face of Concrete to Reinforcing Steel shall be 50 mm, except as shown.

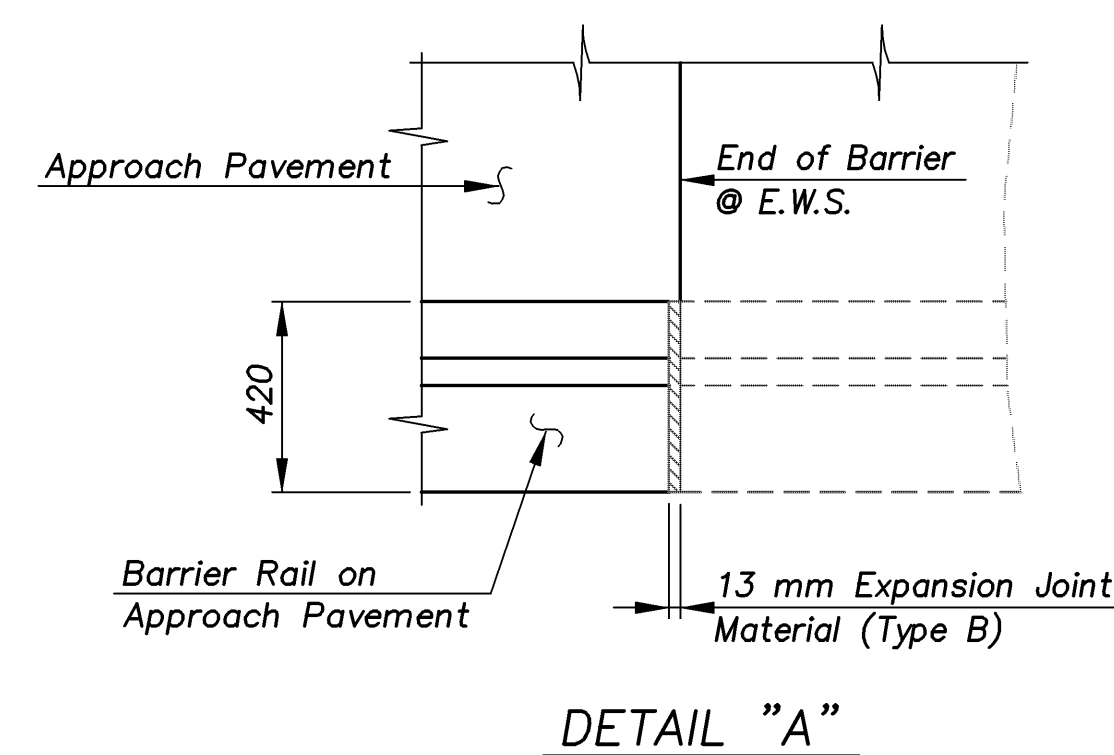
See Standard Drawing RD661 SI for details of joints and welded wire reinforcing mesh.



APPROACH SLAB LAYOUT AT E.B. BRIDGE



PARTIAL PLAN SHOWING APPROACH SLAB REINFORCEMENT



DETAIL "A"

SUMMARY OF QUANTITIES - Br. No. 54-87-31.56(705)				
Item	Units	Abut. No. 1	Abut. No. 2	Totals
Concrete Pavement (300 mm)(AE)	sq m	206.1	206.1	412.2
Concrete (Grade 31)(AE)	cu m	2.4	2.4	4.8
Reinforcing Steel (Grade 420) (Epoxy Coated)	kg	285	285	570
Items Subsidiary to the bid item Concrete Pavement (300 mm)(AE) (For information only)				
Reinforcing Steel (Grade 420) (Epoxy Coated)	kg	3155	3155	6310
40 mm Expansion Joint	m	20.62	20.62	41.24
100 mm Pressure Relief Joint	m	20.58	20.58	41.16

KANSAS DEPARTMENT OF TRANSPORTATION		BR. NO. 54-87-31.56(705) E.B. STA. 4+575.138	
SPECIAL CONCRETE APPROACH PAVEMENT			
E.B. KELLOGG AVENUE OVER EASTERN			
DESIGNED R.S.C.		SCALE	
DETAILED T.R.G.		DATE	
Proj. No. 54-87 K-8258-08		SEDGWICK COUNTY	
QUANTITIES T.R.G.		SHEET 1 OF 3	



Cook, Flatt & Strobel
 ENGINEERS, P. A.