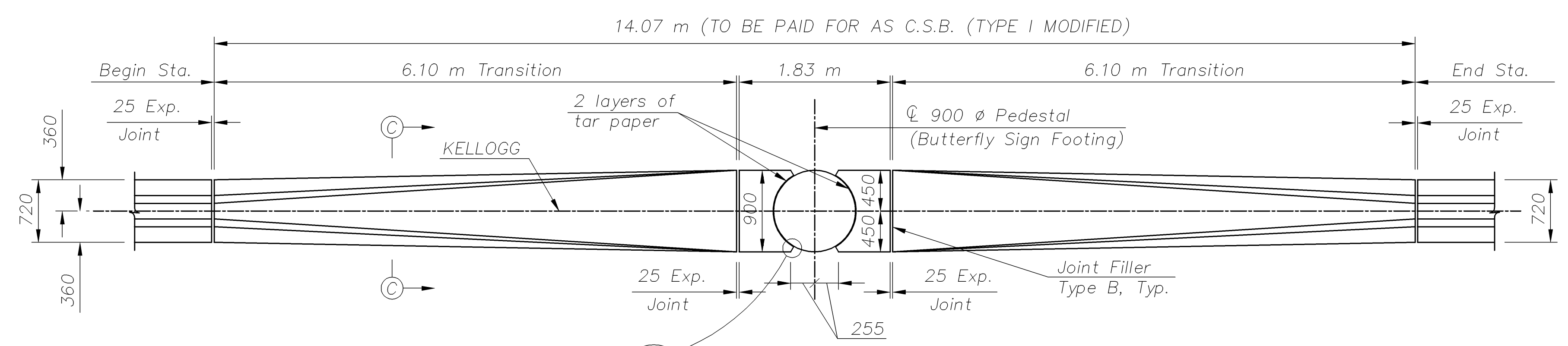
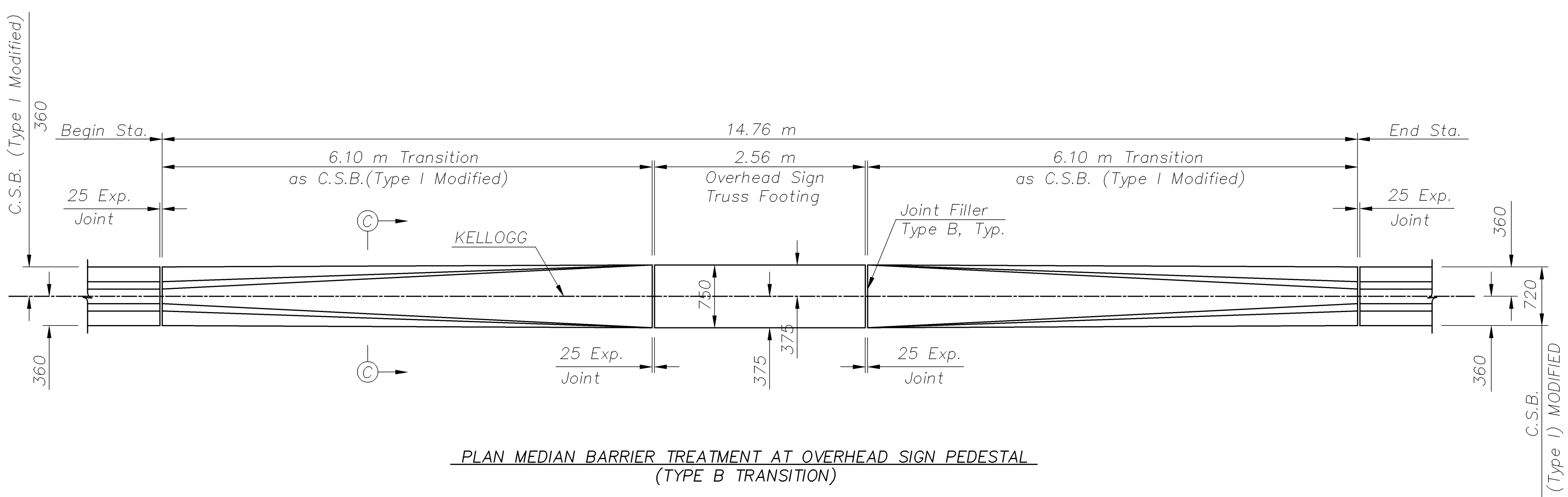


C.S.B. TRANSITION DATA				
BEG. STA.	END STA.	LOCATION	TYPE	REMARKS
1+741.820	1+756.580	KELLOGG	B	
2+667.120	2+681.880	KELLOGG	B	

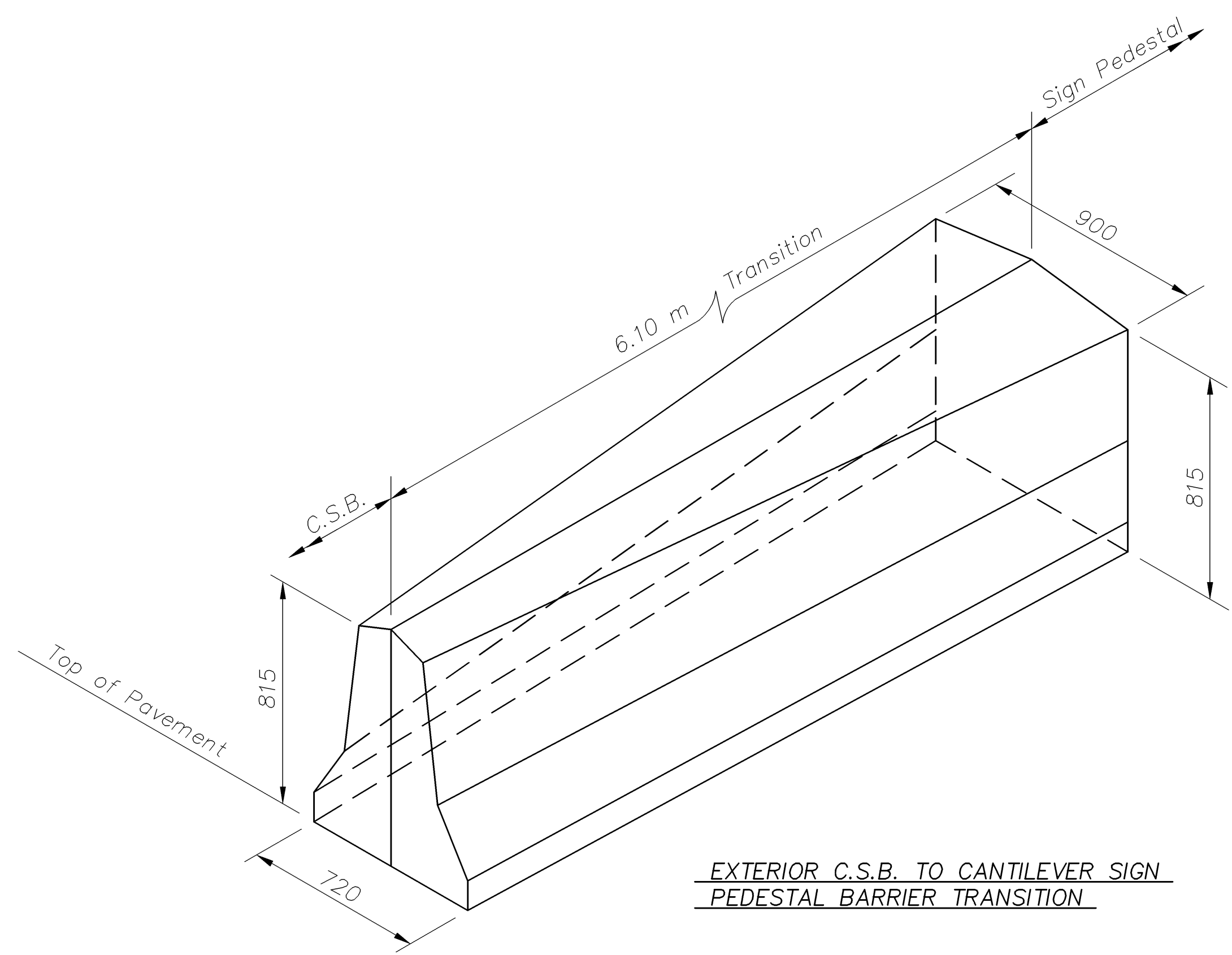
DATE	
BY	
REFERENCE NOTED	
REFERENCE CHECKED	



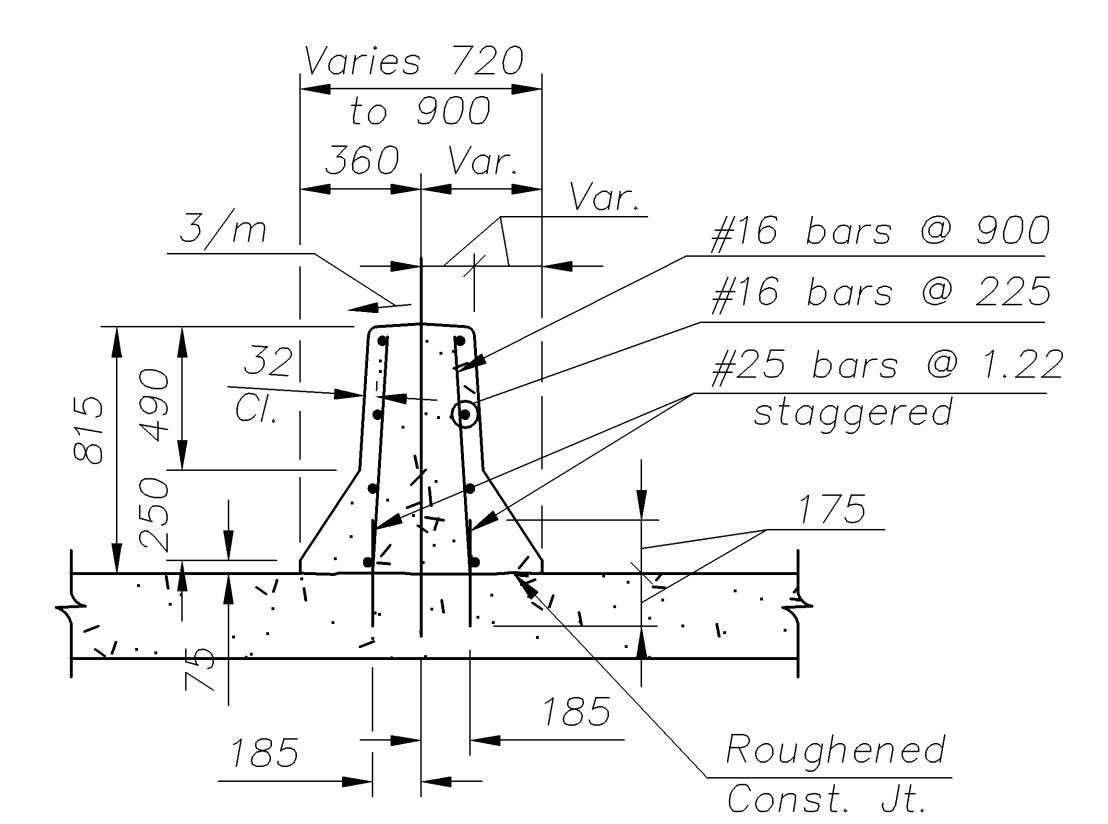
53 PLAN MEDIAN BARRIER TREATMENT AT BUTTERFLY SIGN PEDESTAL (TYPE A TRANSITION)



PLAN MEDIAN BARRIER TREATMENT AT OVERHEAD SIGN PEDESTAL (TYPE B TRANSITION)



EXTERIOR C.S.B. TO CANTILEVER SIGN PEDESTAL BARRIER TRANSITION



SECTION C-C

NOTE:
 REINFORCING STEEL SHALL CONFORM WITH THE REQUIREMENTS OF ASTM A615, GR. 60 AND SHALL BE EPOXY COATED.
 FOR C.S.B. GENERAL NOTES, SEE C.S.B. DETAILS.
 FOR SIGN FOOTING DETAILS, SEE SIGNING SHEETS.