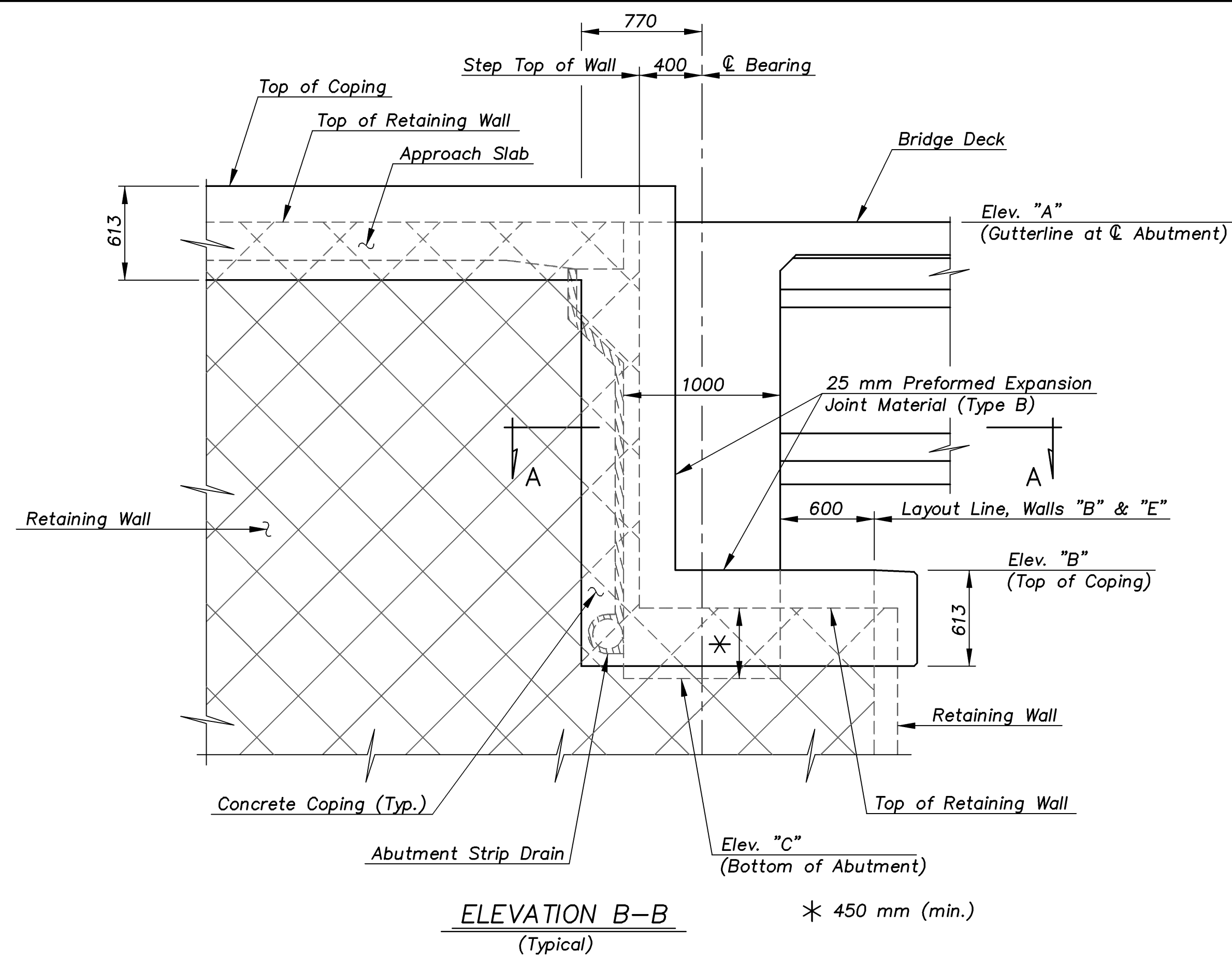
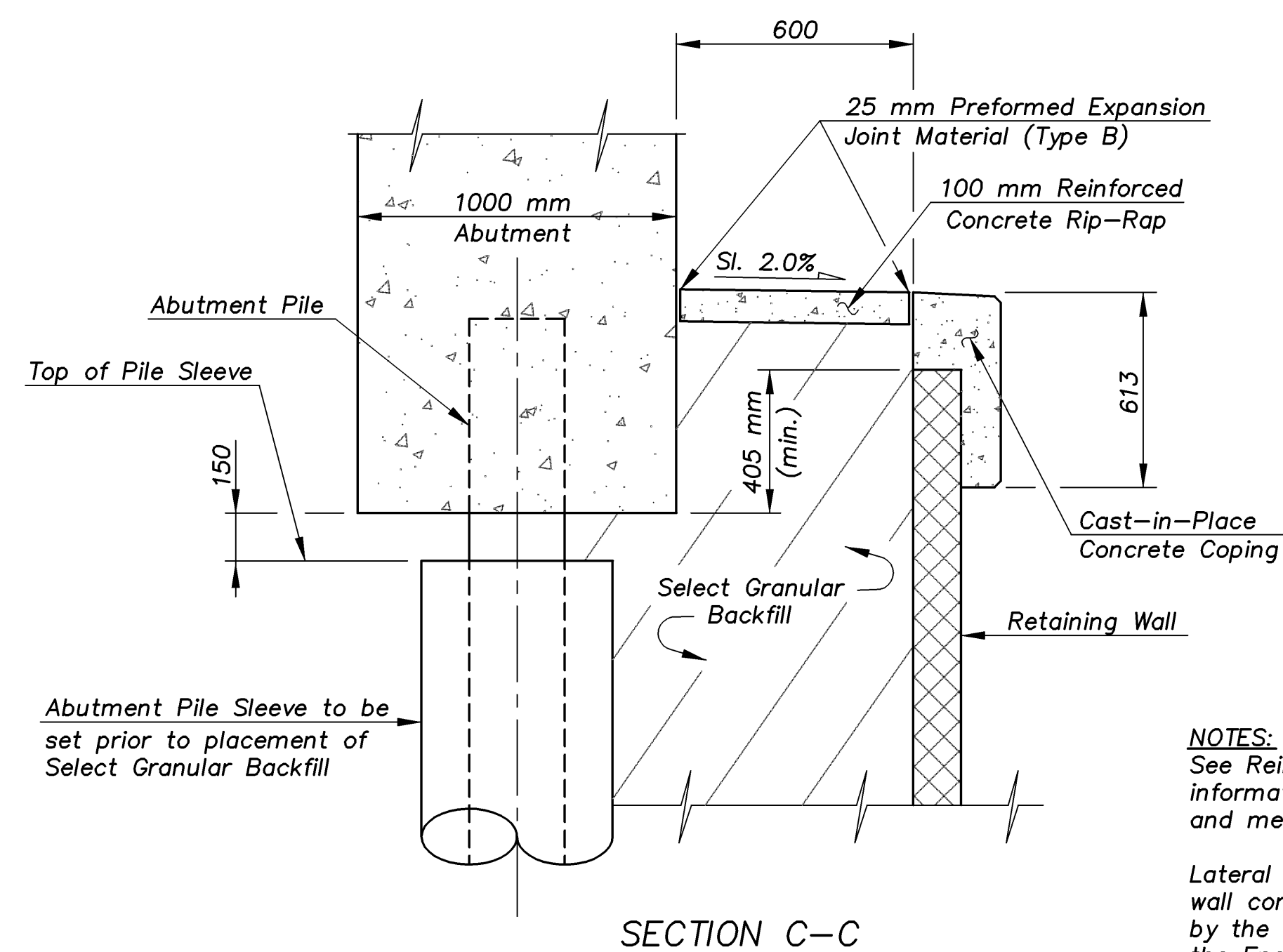


E.F. INDICATES EACH FACE.
N.F. INDICATES NEAR FACE.
F.F. INDICATES FAR FACE.

STATE	PROJECT NO.	YEAR	SHEET NO.	TOTAL SHEETS
KANSAS	54-87 K-8258-08	2005	71	223



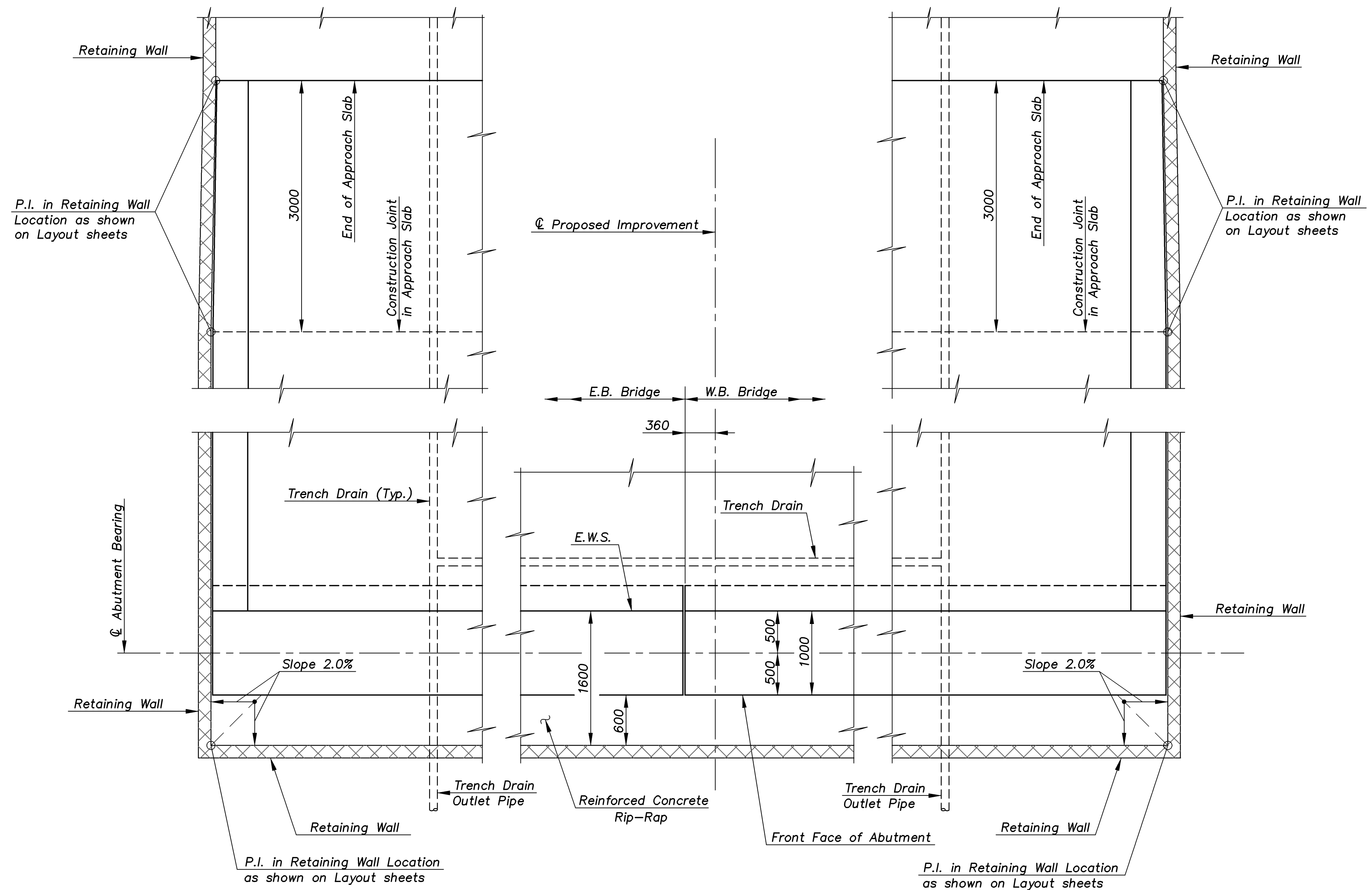
Retaining Wall	Elev. "A"	Elev. "B"	Elev. "C"
"A"	413.050	410.829	410.136
"B"	-	410.829	-
"C"	413.050	410.829	410.136
"D"	413.139	410.918	410.225
"E"	-	410.918	-
"F"	413.139	410.918	410.225



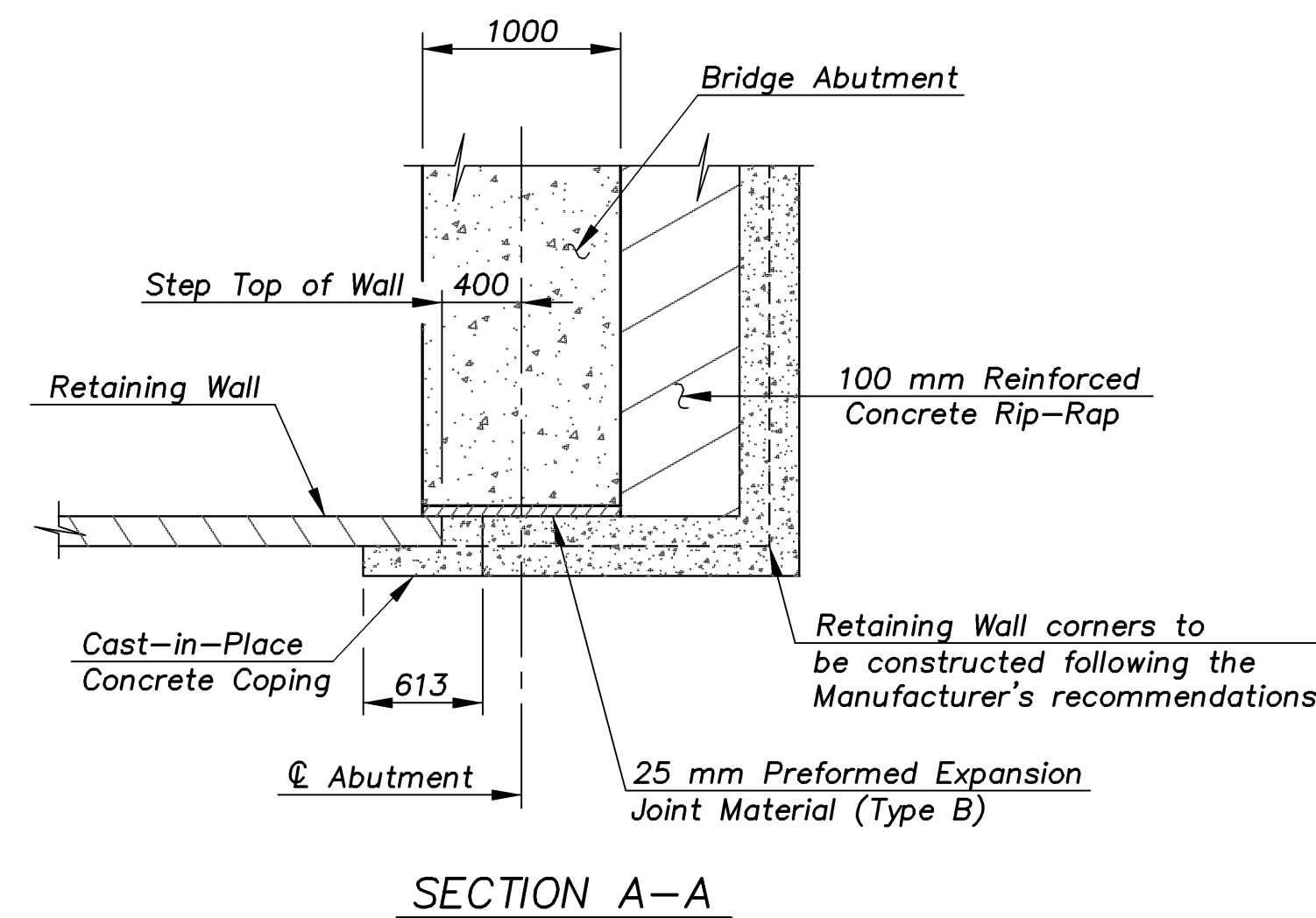
SECTION C-C

NOTES:
See Reinforced Concrete Riprap Sheet for additional information concerning reinforcement, concrete grade and measurement for reinforced concrete riprap.

Lateral bracing of the pile sleeves is required during wall construction. Method of bracing shall be approved by the Engineer. Bracing shall remain in service until the Engineer authorizes its removal.




PLAN OF WALL AT ABUTMENT
(Abut. No. 1 shown, Abut. No. 2 similar)



SECTION A-A

MSE-WALL/DETAILS 1:100

KANSAS DEPARTMENT OF TRANSPORTATION		 Cook, Flatt & Strobel ENGINEERS, P. A.	
RETAINING WALL DETAILS (EASTERN AVENUE BRIDGE)			
DESIGNED	R.S.C.	SCALE	Varies
DETAILED	T.R.G.	DATE	
Proj. No. 54-87 K-8258-08		SEDGWICK COUNTY	QUANTITIES T.R.G. SHEET 3 OF 8