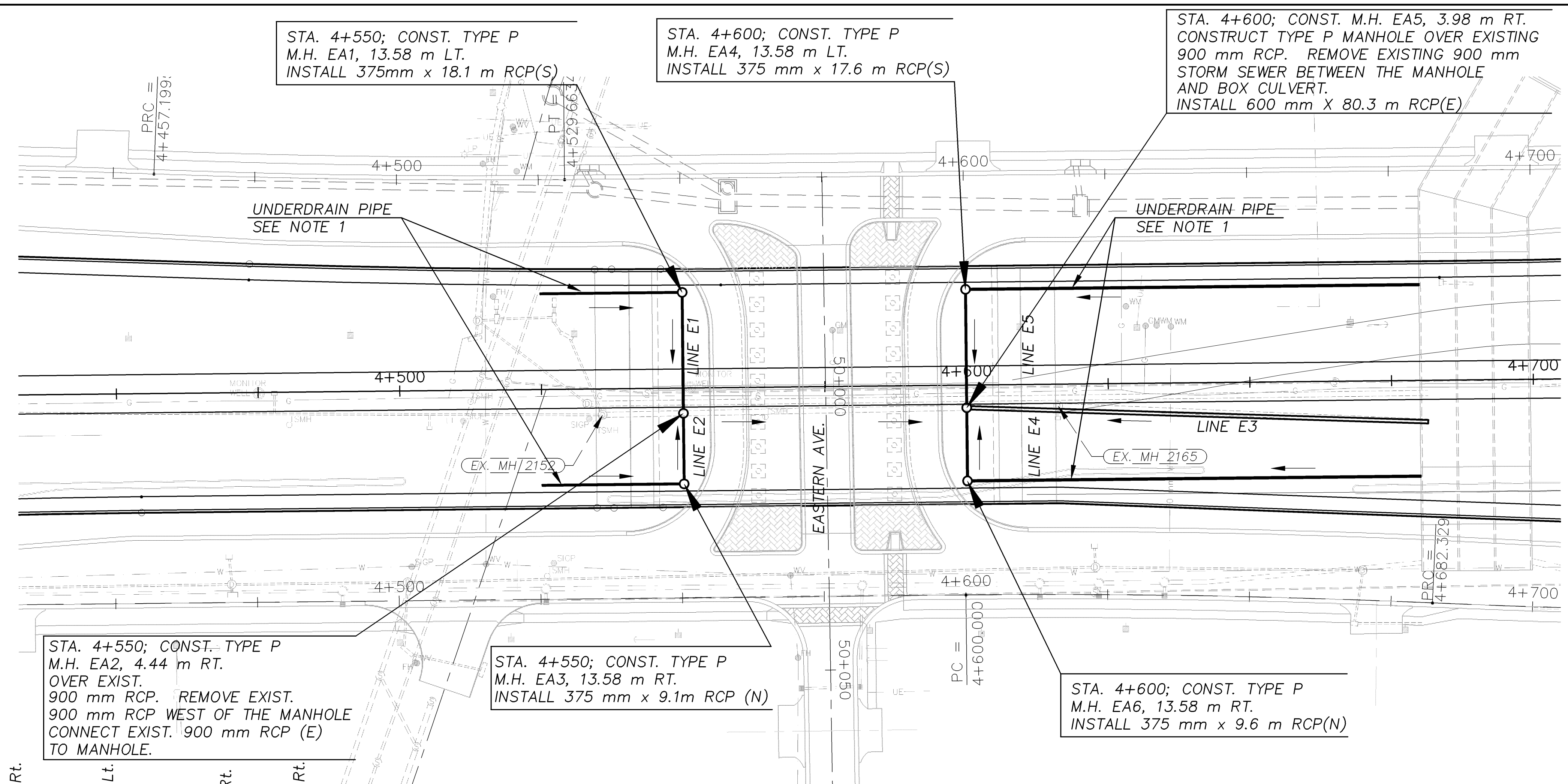
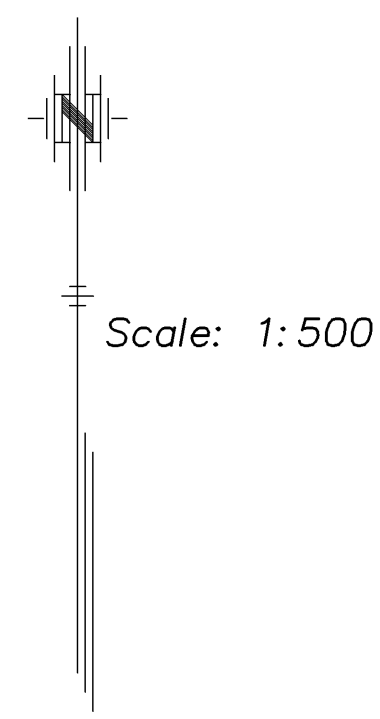


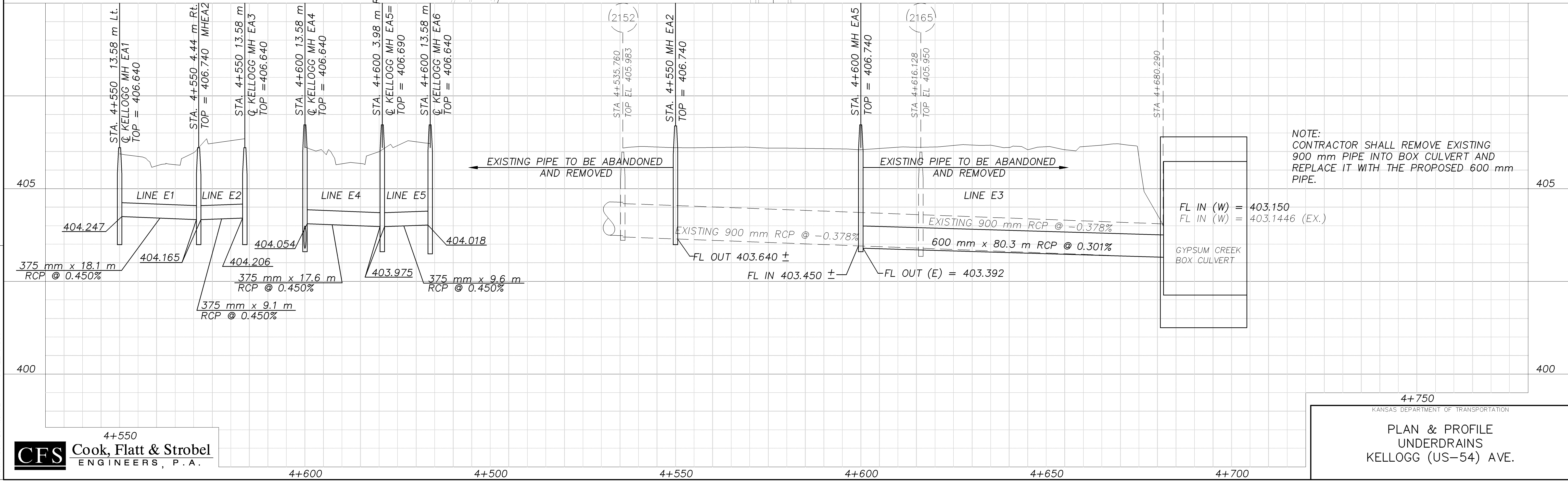
STATE	PROJECT NO.	YEAR	SHEET NO.	TOTAL SHEETS
KANSAS	54-87 K-8258-08	2005	77	223

DATE	BY



- NOTE:**
- UNDERDRAIN PIPE IN THE FILL BEHIND THE RETAINING WALLS IS SUBSIDIARY TO THE BID ITEM "RETAINING WALLS". SEE STRUCTURAL DRAWINGS.
  - THE 600 mm RCP UNDERDRAIN PIPE SHALL BE CLASS IV.
  - THE 375 mm AND 600 mm PIPE AND MANHOLES SHOWN ON THIS DRAWING WILL BE PAID AS FOLLOWS:  
 UNDERDRAIN PIPE 375 mm RCP  
 UNDERDRAIN PIPE 600 mm RCP (CLASS IV)  
 MANHOLE (TYPE P-STANDARD)

**NOTE :**  
 BRIDGE PILINGS ARE LOCATED  
 15.605 m & 17.815 m @ NE/NW  
 AND 15.765 m & 17.895 m @ SE/SW  
 QUADRANTS



Drawn by: POBA DRAINAGE  
 Plotted: SCALE 1:500

**CFS** Cook, Flatt & Strobel  
 ENGINEERS, P.A.

4+750  
 KANSAS DEPARTMENT OF TRANSPORTATION  
 PLAN & PROFILE  
 UNDERDRAINS  
 KELLOGG (US-54) AVE.