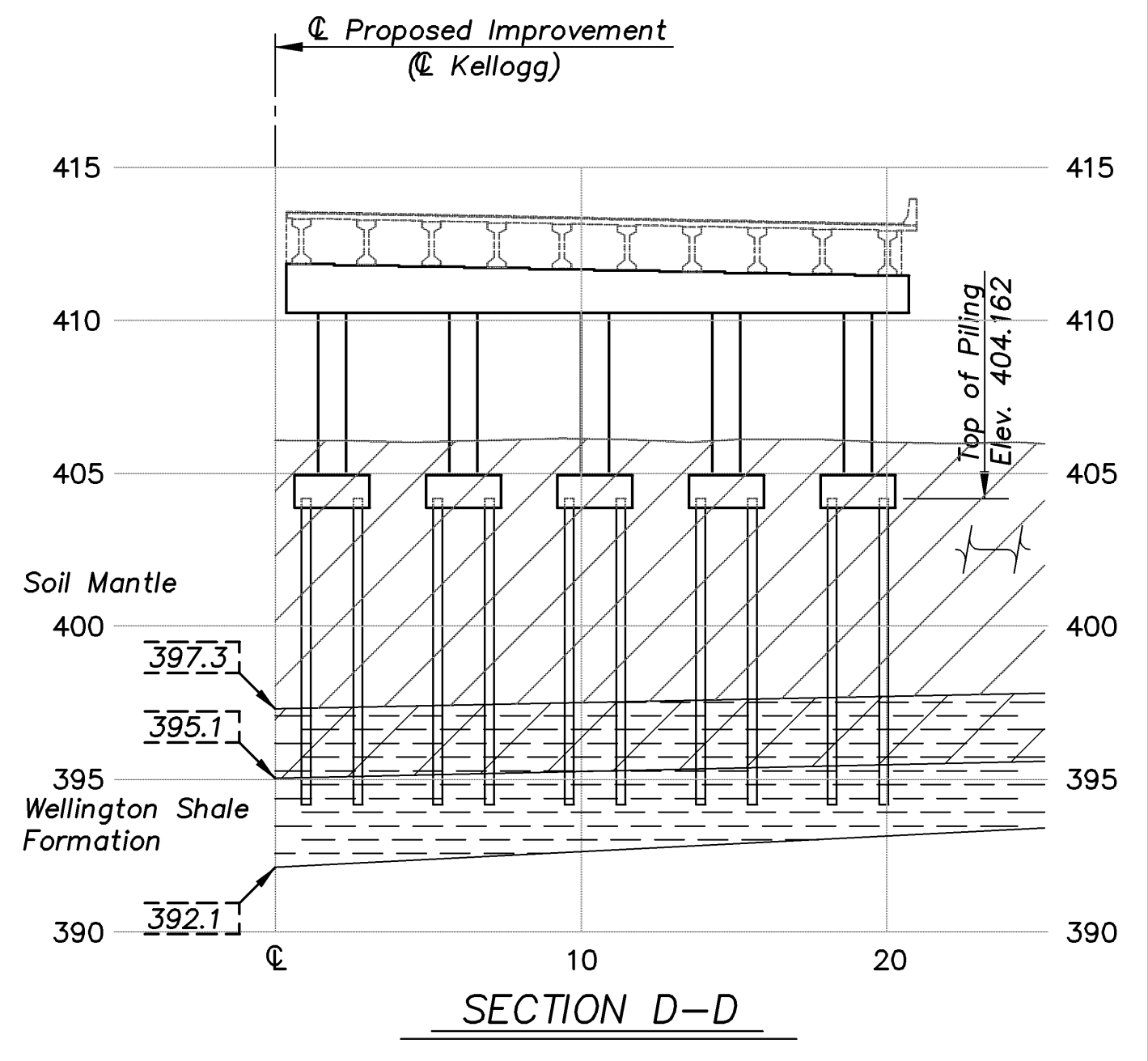
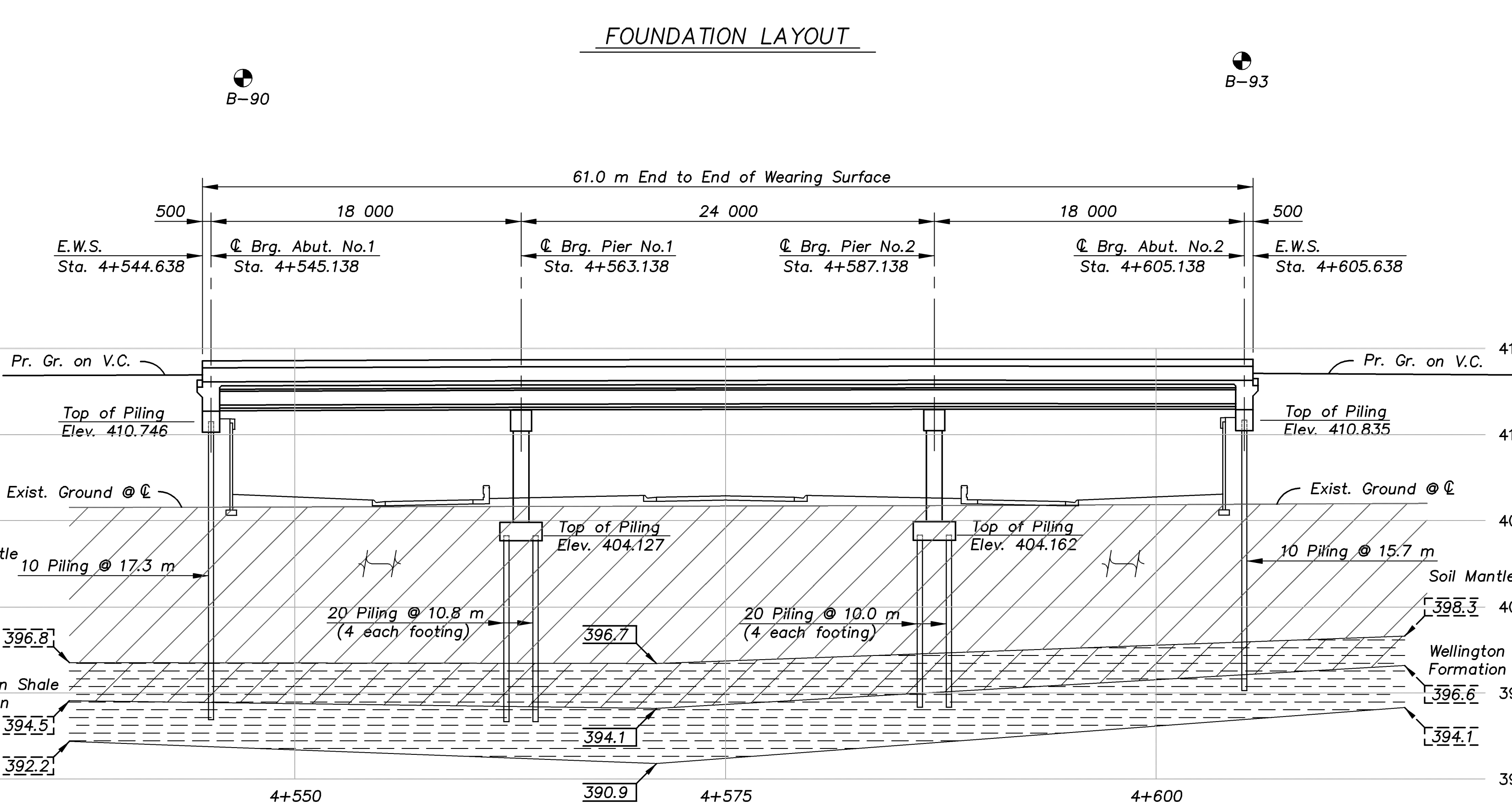
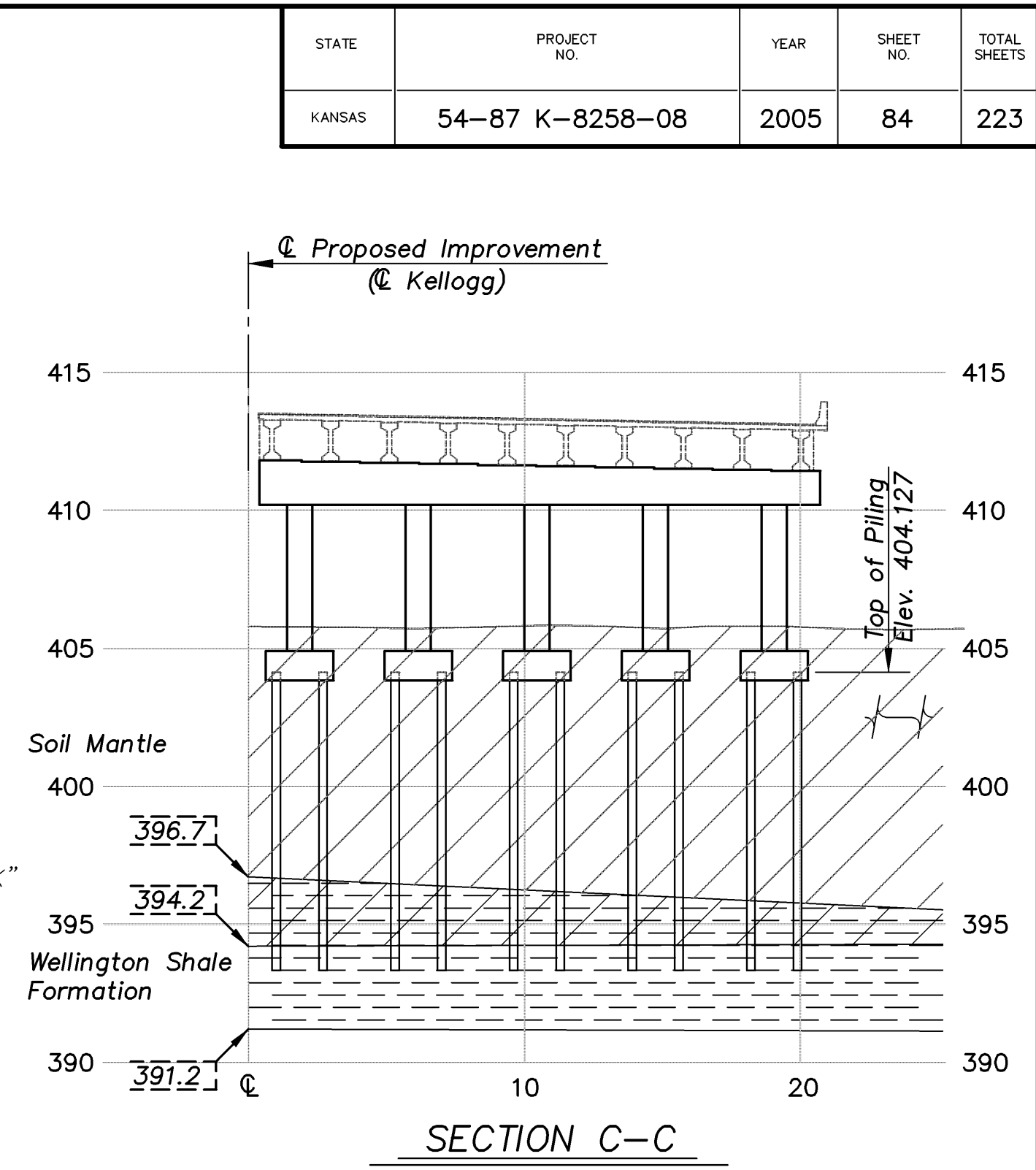
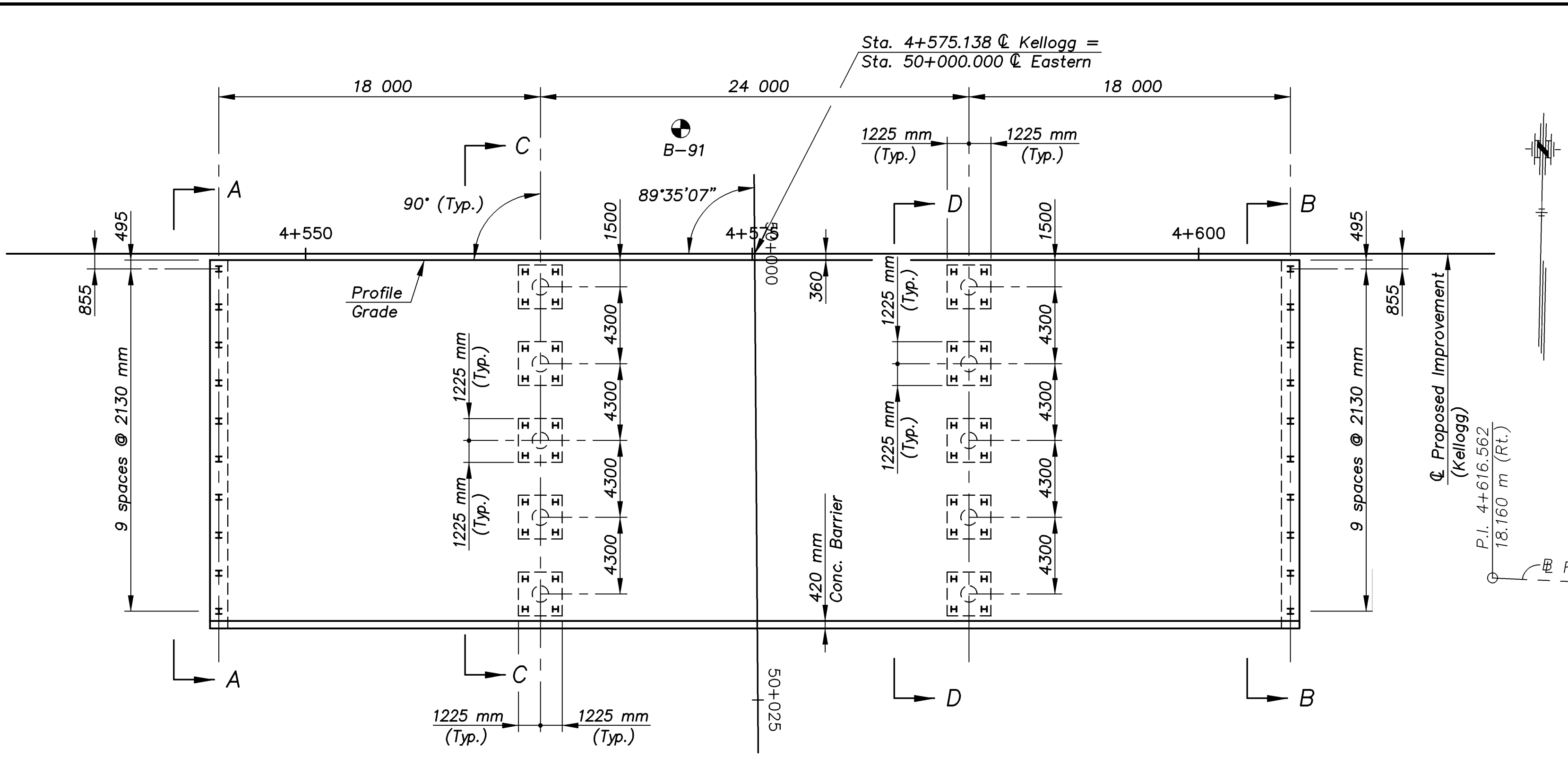
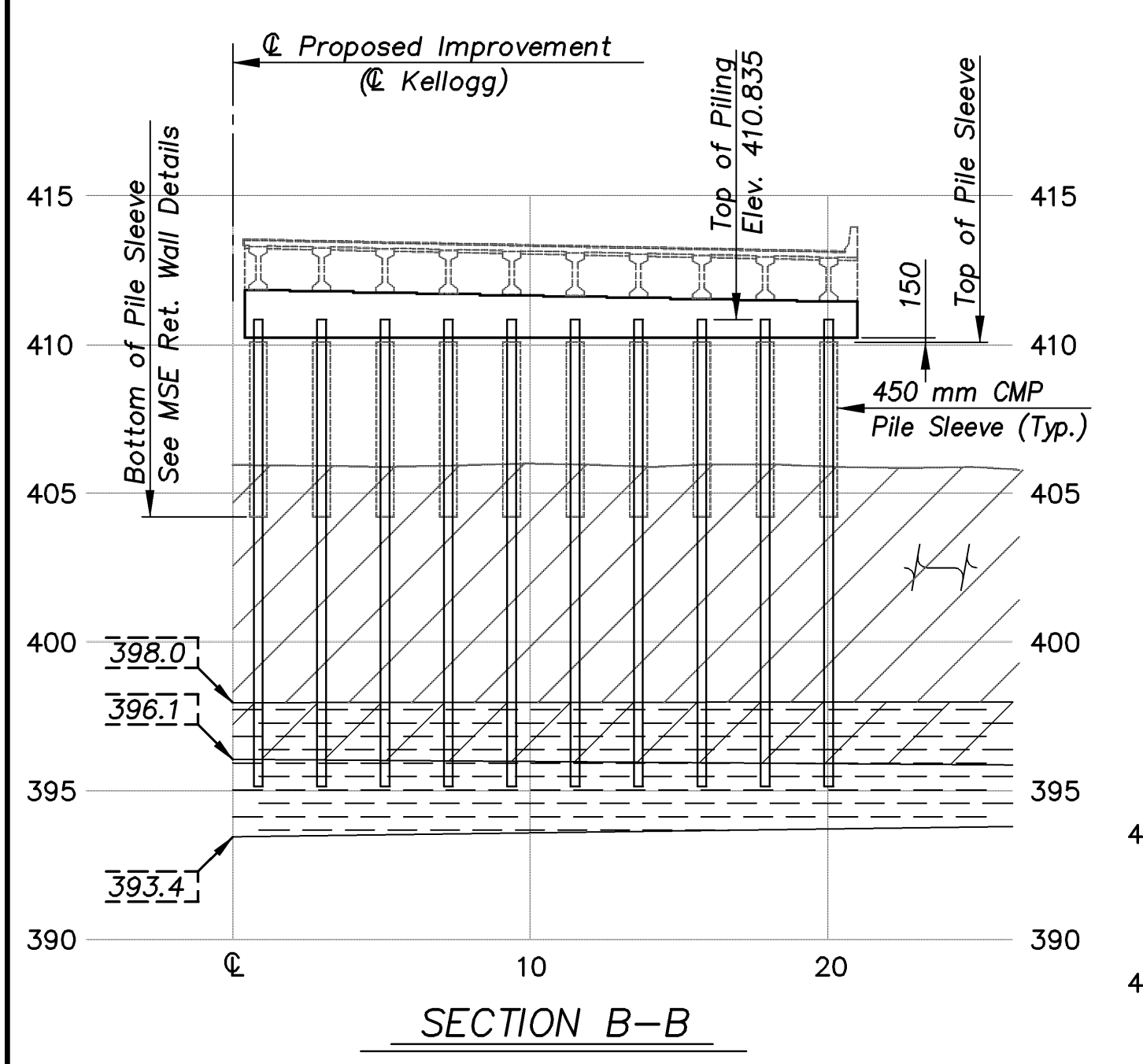
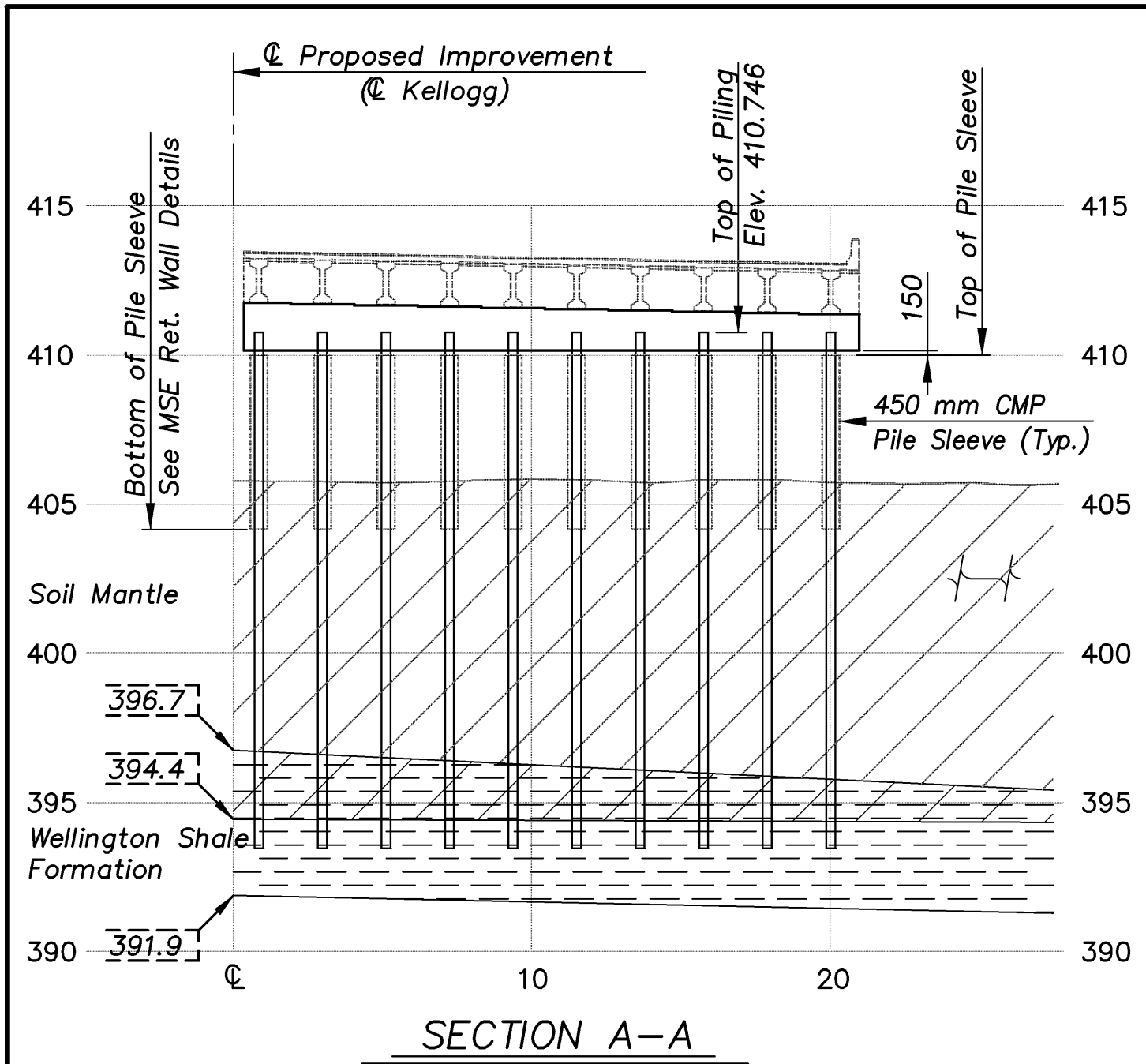


STATE	PROJECT NO.	YEAR	SHEET NO.	TOTAL SHEETS
KANSAS	54-87 K-8258-08	2005	84	223



**STANDARD GEOLOGIC SYMBOLS**

	Clay		Shale		Sand
	Gypsum		Weathered Shale		

**STANDARD PENETRATION TEST**

000.0 | 00 | Elevation  
000.0 | 00 | SPT N-Value

**UNCONFINED COMPRESSION TEST**

000.0 | 00 | Elevation  
000.0 | 00 | kPa

**NOTES:**  
THE SOUNDINGS SHOWN ON THESE PLANS ARE TAKEN FROM NOTES OBTAINED IN THE FIELD AND REPRESENT THE BEST INFORMATION AVAILABLE.

THE COMPLETE LOGS AND LABORATORY TEST DATA ARE IN THE FILES OF THE ENGINEER AND ARE AVAILABLE AT THEIR OFFICE AT TOPEKA, KANSAS FOR INSPECTION BY INTERESTED AND QUALIFIED BIDDERS.

KANSAS DEPARTMENT OF TRANSPORTATION  
BR. NO. 54-87-31.56(705) E.B. STA. 4+575.138

**CFS**  
Cook, Flatt & Strobel  
ENGINEERS, P. A.

**ENGINEERING GEOLOGY**  
KELLOGG AVENUE OVER EASTERN

DESIGNED R.S.C. SCALE 1:200  
DETAILED T.R.G. DATE  
QUANTITIES T.R.G. SHEET 6 OF 47

EASTERN/GEOLOGY 1:200