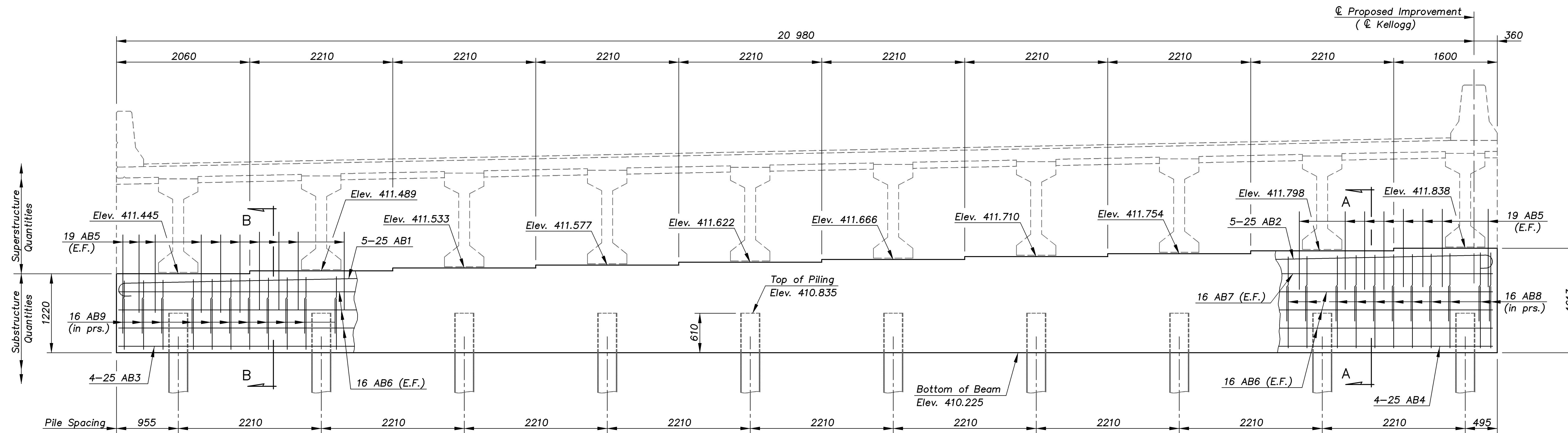


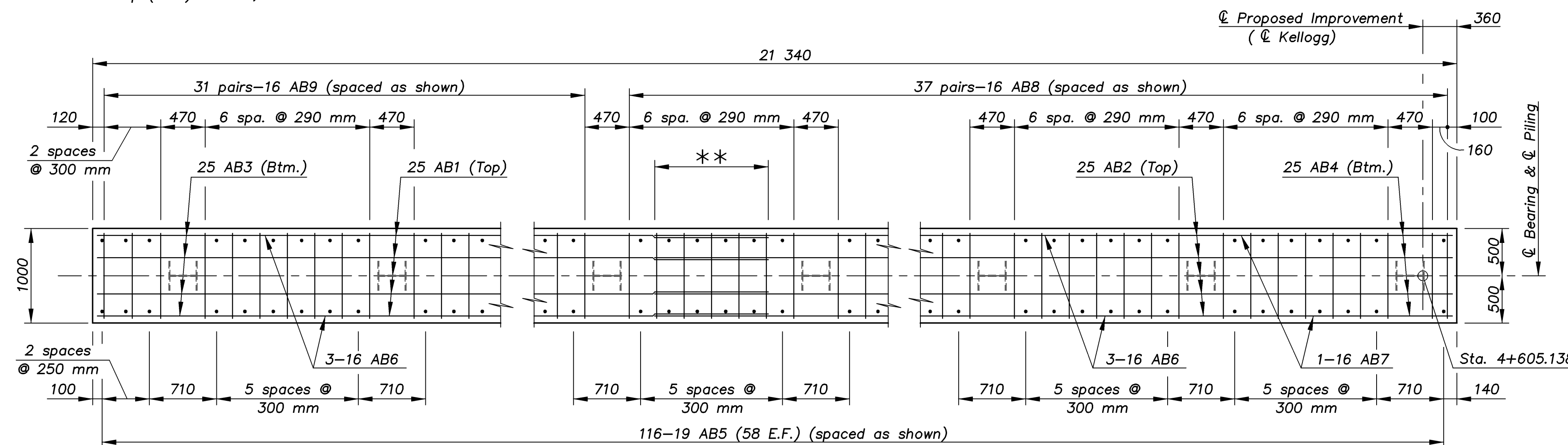
E.F. INDICATES EACH FACE.  
N.F. INDICATES NEAR FACE.  
F.F. INDICATES FAR FACE.

STATE	PROJECT NO.	YEAR	SHEET NO.	TOTAL SHEETS
KANSAS	54-87 K-8258-08	2005	86	223



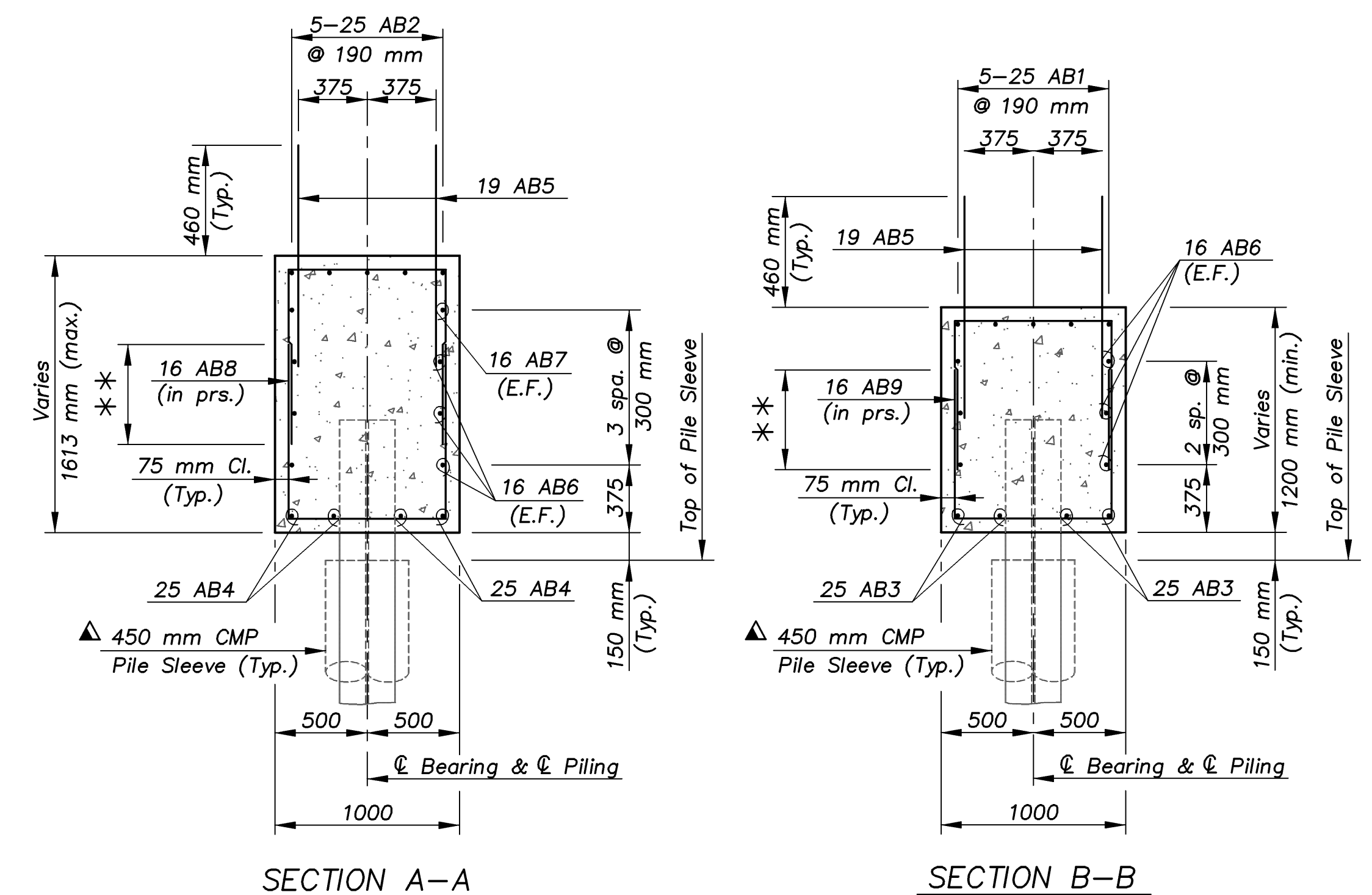
**ELEVATION OF ABUTMENT BEAM**  
(Looking Ahead Station)

\*\* 1680 mm lap (min.) 25 AB1 & AB2 Bars  
1200 mm lap (min.) 25 AB3 & AB4 Bars  
600 mm lap (min.) 16 AB6, AB8 & AB9 Bars



**PARTIAL PLAN OF ABUTMENT BEAM**

DESIGN PILE PRESSURE: 600 kN per Pile  
Group I Loading  
ALLOWABLE LOAD: 620 kN per Pile



**SECTION A-A**

**SECTION B-B**

EASTERN/ABUTMENT 1:100

▲ Abutment Pile Sleeve shall extend from the bottom of the Mechanically Stabilized Earth Retaining Wall to within 150 mm of the bottom of abutment beam at each pile location. Sleeves to be set prior to placement of Select Granular Backfill. Lateral bracing of the pile sleeves is required during the wall construction. Method of bracing shall be approved by the Engineer. Bracing shall remain in service until the Engineer authorizes its removal. All material and labor necessary to install and maintain the Abutment Pile Sleeves shall be considered Subsidiary to the bid item "Steel Pile HP310x79".

KANSAS DEPARTMENT OF TRANSPORTATION		BR. NO. 54-87-31.55(704) W.B.		STA. 4+575.138	
<b>ABUTMENT NO. 2 BEAM DETAILS</b>					
KELLOGG AVENUE OVER EASTERN					
Proj. No. 54-87 K-8258-08		SEDGWICK COUNTY		CFS	
DESIGNED	R.S.C.	SCALE	Varies		
DETAILED	T.R.G.	DATE			
QUANTITIES	T.R.G.	SHEET	8 OF 47		