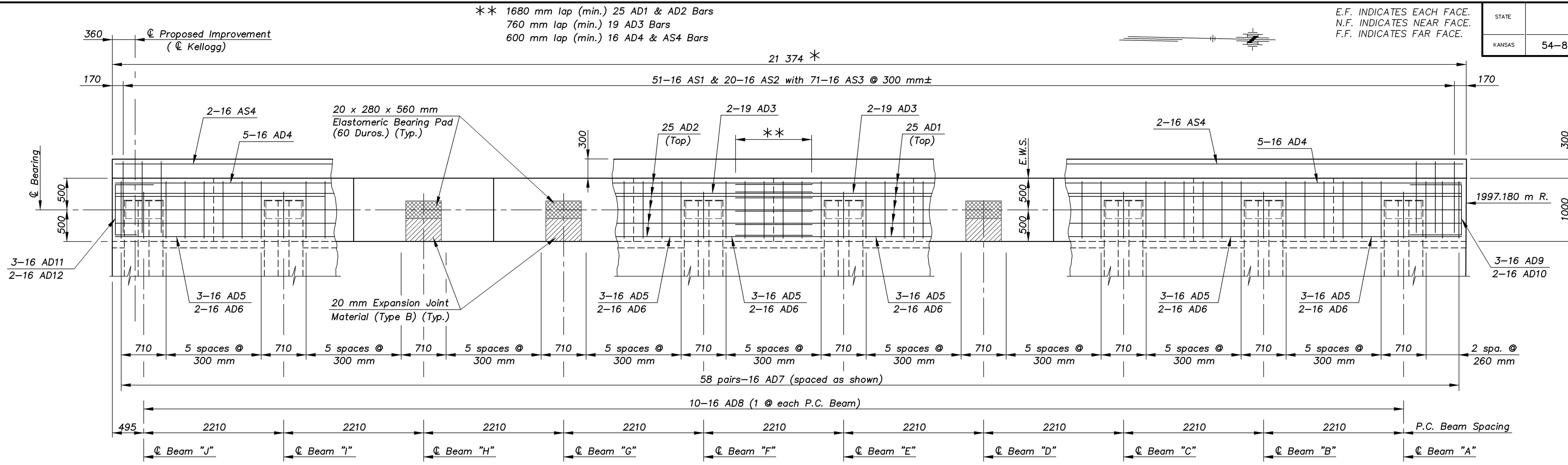


\*\* 1680 mm lap (min.) 25 AD1 & AD2 Bars  
 760 mm lap (min.) 19 AD3 Bars  
 600 mm lap (min.) 16 AD4 & AS4 Bars

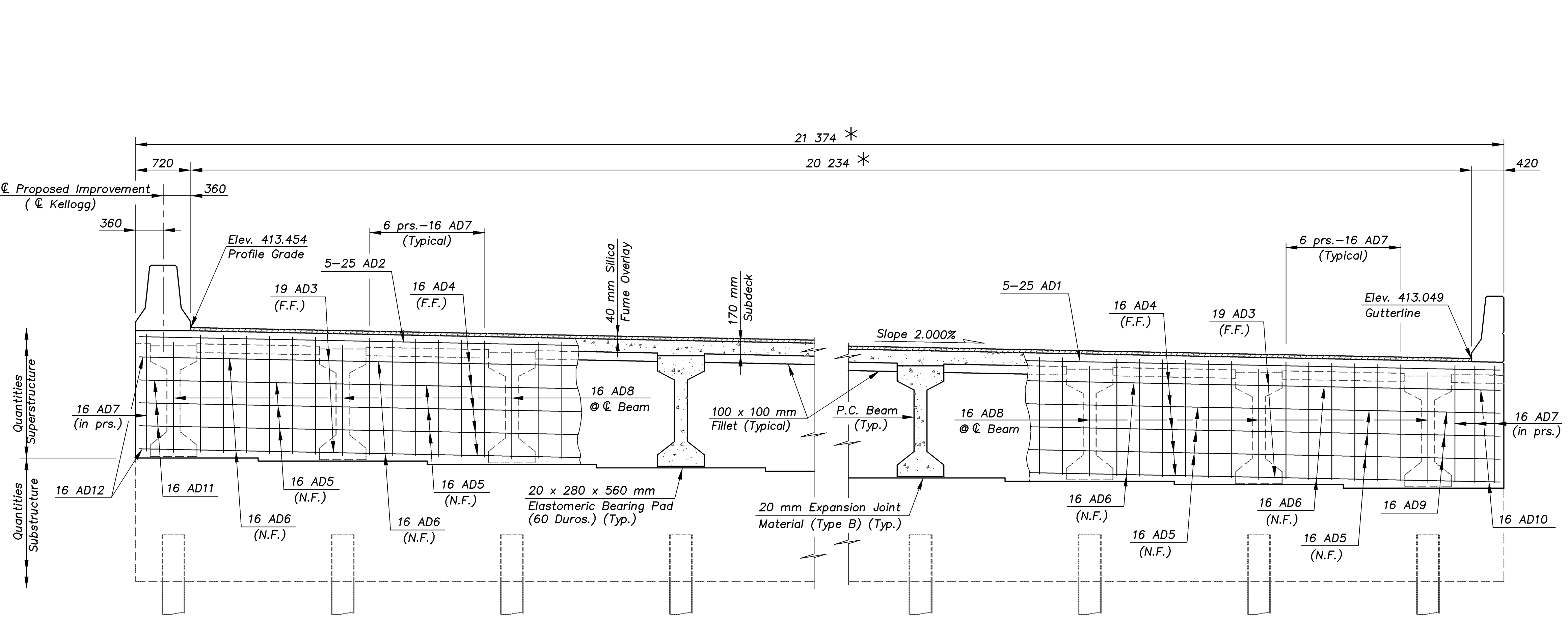
E.F. INDICATES EACH FACE.  
 N.F. INDICATES NEAR FACE.  
 F.F. INDICATES FAR FACE.

STATE	PROJECT NO.	YEAR	SHEET NO.	TOTAL SHEETS
KANSAS	54-87 K-8258-08	2005	87	223

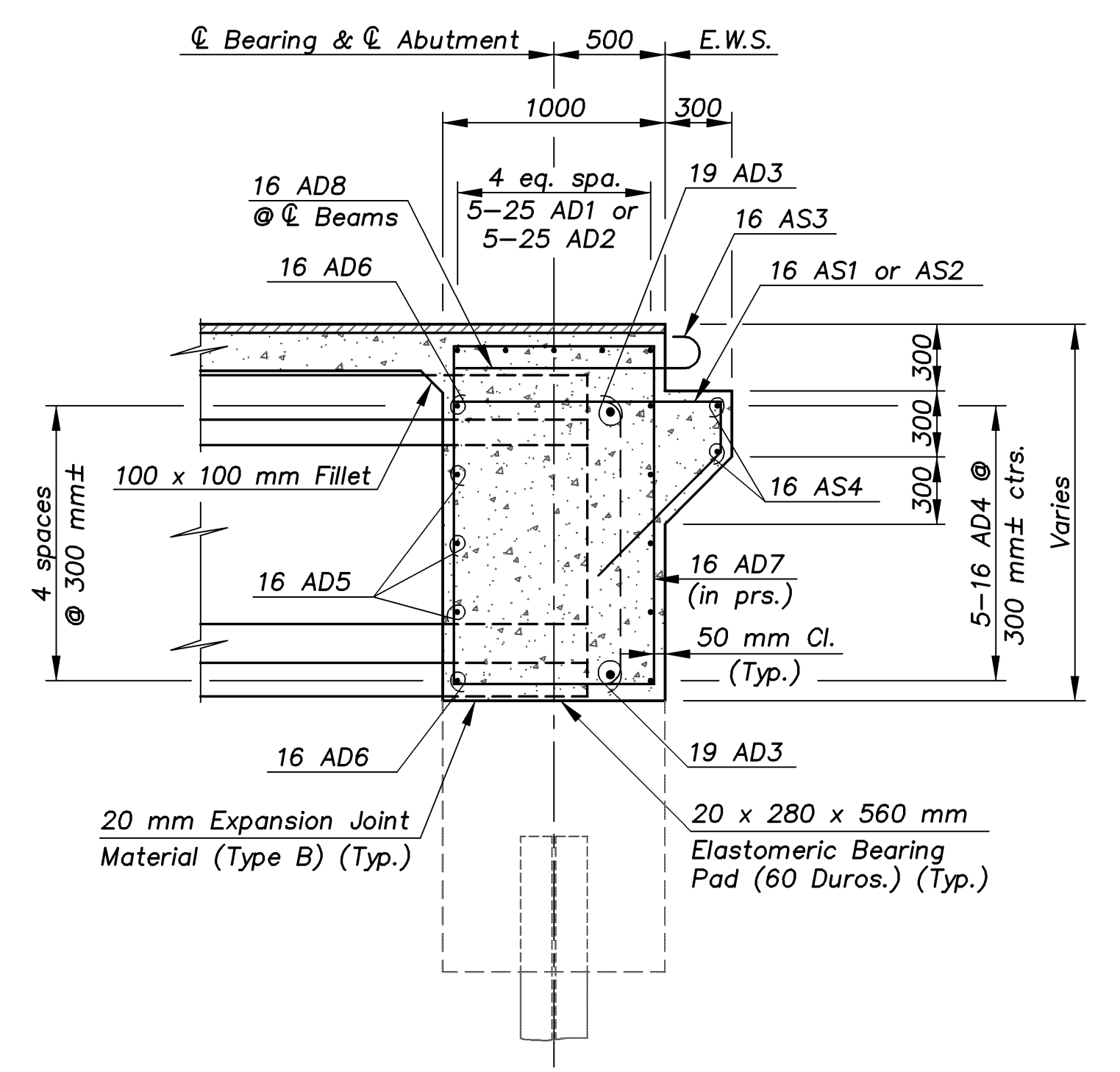


PLAN OF ABUTMENT DIAPHRAGM

\* Measured along the centerline of abutment bearing.




PARTIAL ELEVATION OF ABUTMENT DIAPHRAGM  
 (Looking Back Station)



TYPICAL SECTION THRU DIAPHRAGM

EASTERN/ABUTMENT 1:100

KANSAS DEPARTMENT OF TRANSPORTATION		 <b>Cook, Flatt &amp; Strobel</b> ENGINEERS, P. A.
BR. NO. 54-87-31.55(704) W.B.	STA. 4+575.138	
<b>ABUTMENT NO. 1 DIAPHRAGM DETAILS</b>		
KELLOGG AVENUE OVER EASTERN		
DESIGNED R.S.C.	SCALE	Varies
DETAILED T.R.G.	DATE	
Proj. No. 54-87 K-8258-08	SEDGWICK COUNTY	QUANTITIES T.R.G. SHEET 9 OF 47