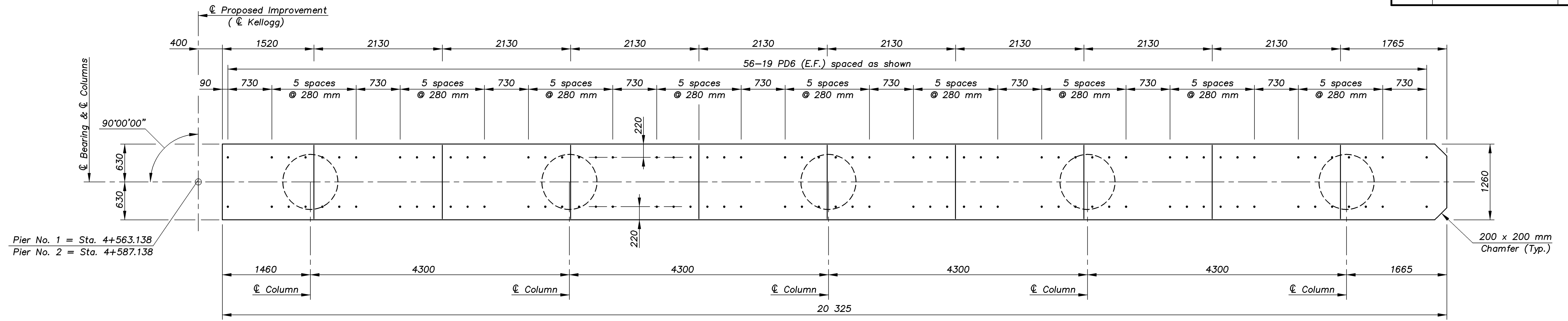
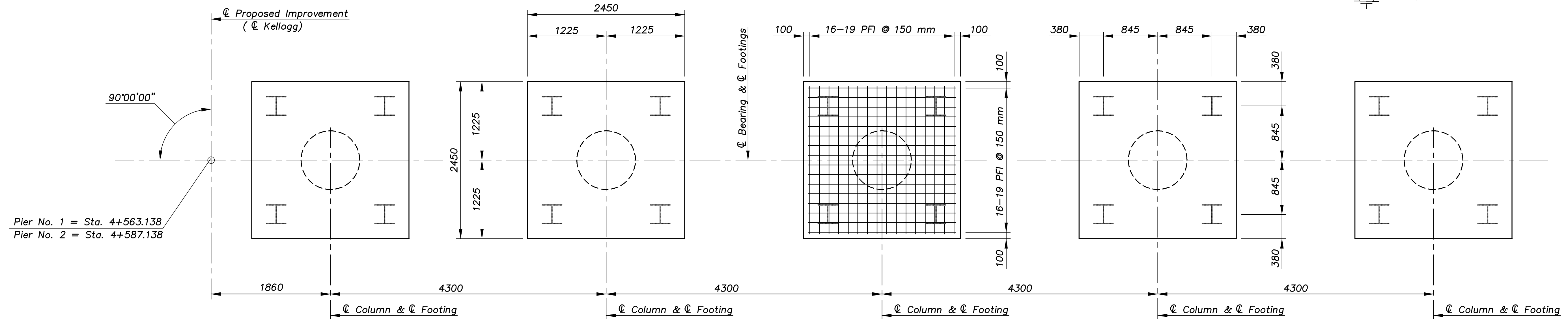


E.F. INDICATES EACH FACE.
 N.F. INDICATES NEAR FACE.
 F.F. INDICATES FAR FACE.

STATE	PROJECT NO.	YEAR	SHEET NO.	TOTAL SHEETS
KANSAS	54-87 K-8258-08	2005	99	223



PLAN VIEW TOP OF PIER BEAM



FOOTING LAYOUT

DESIGN PILE PRESSURE: 585 kN per Pile
 Group III Loading
 ALLOWABLE LOAD: 620 kN per Pile

EASTERN/PIER
 1:100

KANSAS DEPARTMENT OF TRANSPORTATION		BR. NO. 54-87-31.56(705) E.B.		STA. 4+575.138	
PIER DETAILS					
KELLOGG AVENUE OVER EASTERN					
Proj. No. 54-87 K-8258-08 SEDGWICK COUNTY					
CFS		Cook, Flatt & Strobel ENGINEERS, P. A.			
DESIGNED	R.S.C.	SCALE	Varies		
DETAILED	T.R.G.	DATE			
QUANTITIES	T.R.G.	SHEET	21 OF 47		