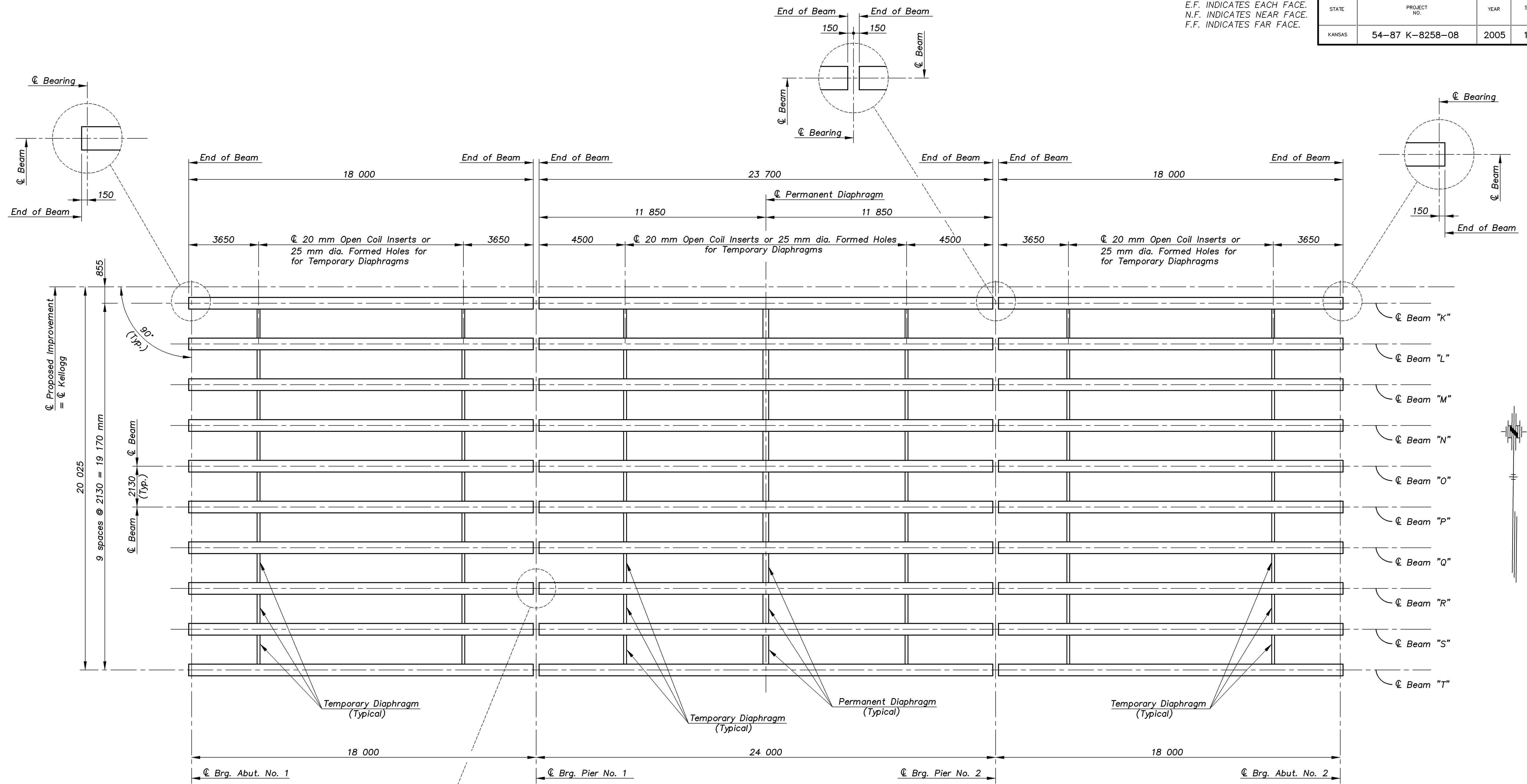
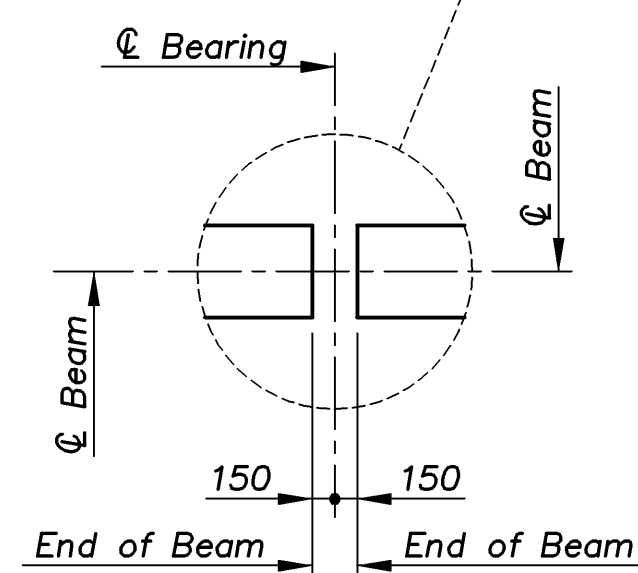


E.F. INDICATES EACH FACE.  
 N.F. INDICATES NEAR FACE.  
 F.F. INDICATES FAR FACE.


STATE	PROJECT NO.	YEAR	SHEET NO.	TOTAL SHEETS
KANSAS	54-87 K-8258-08	2005	102	223



BEAM LAYOUT SHOWING TEMPORARY AND PERMANENT DIAPHRAGM LOCATIONS



EASTERN/PCB-DETAILS 1:100

KANSAS DEPARTMENT OF TRANSPORTATION		 <b>Cook, Flatt &amp; Strobel</b> ENGINEERS, P. A.
BR. NO. 54-87-31.56(705) E.B.	STA. 4+575.138	
E.B. BRIDGE FRAMING PLAN		DESIGNED R.S.C. SCALE Varies
KELLOGG AVENUE OVER EASTERN		DETAILED T.R.G. DATE
Proj. No. 54-87 K-8258-08	SEDGWICK COUNTY	QUANTITIES T.R.G. SHEET 24 OF 47