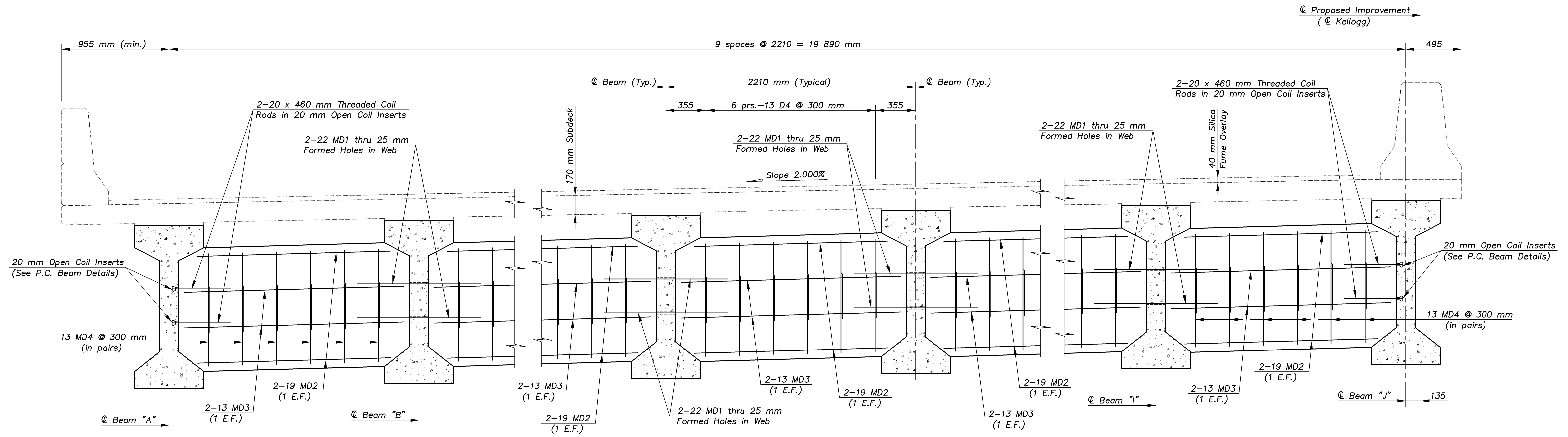


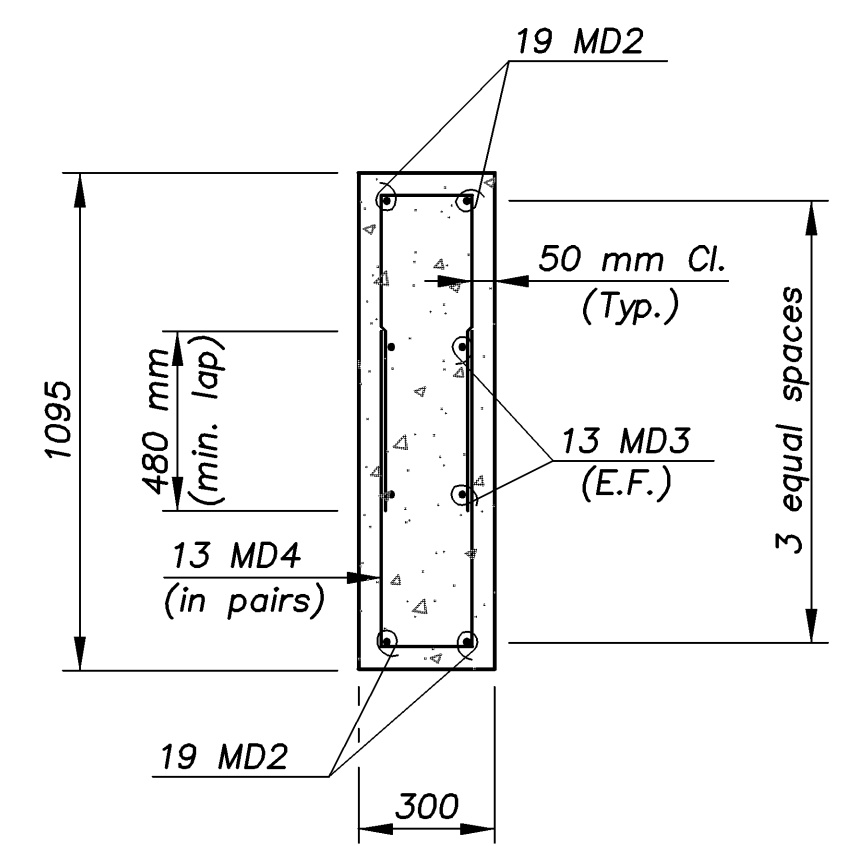
E.F. INDICATES EACH FACE.
 N.F. INDICATES NEAR FACE.
 F.F. INDICATES FAR FACE.

STATE	PROJECT NO.	YEAR	SHEET NO.	TOTAL SHEETS
KANSAS	54-87 K-8258-08	2005	108	223



PARTIAL ELEVATION SHOWING DIAPHRAGM AT MID-SPAN
 (Center Span Only)

NOTE: Cure all Mid-Span Diaphragms a minimum of 7 days prior to placing any concrete in the bridge deck.



TYPICAL SECTION THRU DIAPHRAGM

EASTERN/DIAPHRAGMS 1:100

KANSAS DEPARTMENT OF TRANSPORTATION		BR. NO. 54-87-31.55(704) W.B. STA. 4+575.138	
MID-SPAN DIAPHRAGM DETAILS			
KELLOGG AVENUE OVER EASTERN			
Proj. No. 54-87 K-8258-08		SEDGWICK COUNTY	
CFS		Cook, Flatt & Strobel ENGINEERS, P. A.	
DESIGNED	R.S.C.	SCALE	Varies
DETAILED	T.R.G.	DATE	
QUANTITIES	T.R.G.	SHEET	30 OF 47